

Register your product and get support at
www.philips.com/welcome

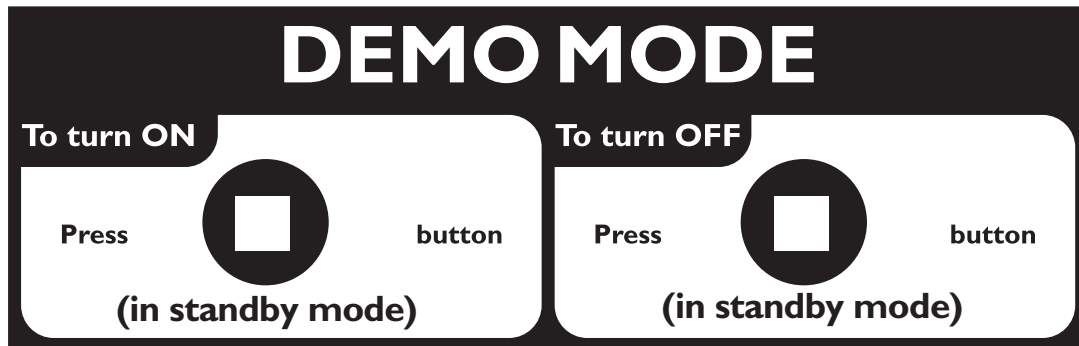
DCB8000



EN	User manual	3
DE	Benutzerhandbuch	25
FR	Mode d'emploi	51

IT	Manuale utente	77
NO	Brukerhåndbok	103
DA	Brugervejledning	125

PHILIPS



Important notes for users in the U.K.

Mains fuse

This information applies only to products with a UK mains plug.

This product is fitted with an approved non-molded plug. If you replace the fuse, use one with:

- the ratings shown on the plug,
- a BS 1362 approval, and
- the ASTA approval mark.

Contact your dealer if you are not sure about what type of fuse to use.

Caution: To conform with the EMC directive (2004/108/EC), do not detach the plug from the power cord.

How to connect a plug

The wires in the power cord are colored as follows: blue = neutral (N), brown = live (L).

If the colors do not correspond with the colors on your plug, identify the terminals in your plug as follows:

- 1** Connect the blue wire to the terminal marked N or colored black.
- 2** Connect the brown wire to the terminal marked L or colored red.
- 3** Do not connect either wire to the earth terminal in the plug, marked E (or e) or colored green (or green and yellow).

Before you replace the plug cover, make sure that the cord grip is clamped over the sheath of the cable and not just over the two wires in the cable.

Contents

1	Important	4	8	Other features	19
	Safety	4		Set the alarm timer	19
	Notice	5		Set the sleep timer	20
2	Your Micro Hi-Fi System	6	9	Upgrade the firmware	20
	Introduction	6		Register your product	20
	What's in the box	6		Check the current firmware version	21
	Overview of the main unit	7		Perform the upgrade	21
	Overview of the remote control	8			
3	Before use	10	10	Product information	21
	Place the product	10		Specifications	21
	Connect	10		USB playability information	22
	Install/replace the batteries of remote control	12		Supported MP3 disc formats	22
				RDS program types	23
4	Get started	13	11	Troubleshooting	23
	Turn on	13			
	Set clock	13			
	Demonstrate features	13			
	Adjust brightness of display panel	14			
	Turn on or off LED light	14			
5	Play	14			
	Play a disc	14			
	Play from a USB storage device	15			
	Basic operations	15			
	Program audio tracks	15			
	Adjust sound	16			
6	Play from iPod/iPhone/iPad	16			
	Compatible iPod/iPhone/iPad	16			
	Load the iPod/iPhone/iPad	17			
	Listen to the iPhone/iPod/iPad	17			
	Charge the iPod/iPhone/iPad	17			
	Remove the iPod/iPhone/iPad	17			
7	Listen to radio	18			
	Store DAB radio stations automatically	18			
	Basic operations	18			
	Use the menu	19			

1 Important

Read and understand all instructions before you use this product. If damage is caused by failure to follow the instructions, the warranty does not apply.

Safety

Risk of electric shock!

- Never expose the product and accessories to rain or water. Never place liquid containers, such as vases, near the product. If liquids are split on or into the product, disconnect it from the power outlet immediately. Contact Philips Consumer Care to have the product checked before use.
- Never place the product and accessories near naked flames or other heat sources, including direct sunlight.
- Never insert objects into the ventilation slots or other openings on the product.
- Where the mains plug or an appliance coupler is used as the disconnect device, it shall remain readily operable.
- Disconnect the product from the power outlet before lightning storms.
- When you disconnect the power cord, always pull the plug, never the cable.

Risk of short circuit or fire!

- Before you connect the product to the power outlet, make sure that the power voltage matches the value printed on the back of the product.
- Avoid applying pressure on the power plugs. Loose power plugs can cause arcing or fire.

Risk of injury or damage to the product!

- To avoid exposure to laser radiation, do not disassemble.
- Do not touch the optical lens inside the disc compartment.

- Never place the product or any objects on power cords or on other electrical equipment.
- If the product is transported in temperatures below 5°C, unpack the product and wait until its temperature matches room temperature before connecting it to the power outlet.

Risk of overheating!

- Never install this product in a confined space. Always leave a space of at least four inches around the product for ventilation. Make sure that curtains or other objects never cover the ventilation slots on the product.

Risk of contamination!

- Remove the battery if flat or if the remote control is not to be used for a long time.
- Batteries contain chemical substances. They should be disposed of properly.

Risk of swallowing batteries!

- The product/remote control may contain a coin type battery, which can be swallowed. Keep the battery out of reach of children at all times!

Hearing safety

Listen at a moderate volume.

- Using headphones at a high volume can impair your hearing. This product can produce sounds in decibel ranges that may cause hearing loss for a normal person, even for exposure less than a minute. The higher decibel ranges are offered for those that may have already experienced some hearing loss.
- Sound can be deceiving. Over time your hearing 'comfort level' adapts to higher volumes of sound. So after prolonged listening, what sounds 'normal' can actually be loud and harmful to your hearing. To guard against this, set your volume to a safe level before your hearing adapts and leave it there.

To establish a safe volume level:

- Set your volume control at a low setting.
- Slowly increase the sound until you can hear it comfortably and clearly, without distortion.

Listen for reasonable periods of time:

- Prolonged exposure to sound, even at normally 'safe' levels, can also cause hearing loss.
- Be sure to use your equipment reasonably and take appropriate breaks.

Be sure to observe the following guidelines when using your headphones.

- Listen at reasonable volumes for reasonable periods of time.
- Be careful not to adjust the volume as your hearing adapts.
- Do not turn up the volume so high that you can't hear what's around you.
- You should use caution or temporarily discontinue use in potentially hazardous situations.

Notice

Any changes or modifications made to this device that are not expressly approved by Philips Consumer Lifestyle may void the user's authority to operate the equipment.



This product complies with the radio interference requirements of the European Community.



Your product is designed and manufactured with high quality materials and components, which can be recycled and reused.



When this crossed-out wheeled bin symbol is attached to a product it means that the product is covered by the European Directive 2002/96/EC.

Please inform yourself about the local separate collection system for electrical and electronic products.

Please act according to your local rules and do not dispose of your old products with your normal household waste. Correct disposal of your old product helps to prevent potential negative consequences for the environment and human health.



Your product contains batteries covered by the European Directive 2006/66/EC, which cannot be disposed with normal household waste. Please inform yourself about the local rules on separate collection of batteries because correct disposal helps to prevent negative consequences for the environmental and human health.

Environmental information

All unnecessary packaging has been omitted. We have tried to make the packaging easy to separate into three materials: cardboard (box), polystyrene foam (buffer) and polyethylene (bags, protective foam sheet.)

Your system consists of materials which can be recycled and reused if disassembled by a specialized company. Please observe the local regulations regarding the disposal of packaging materials, exhausted batteries and old equipment.



The making of unauthorized copies of copy-protected material, including computer

programs, files, broadcasts and sound recordings, may be an infringement of copyrights and constitute a criminal offence. This equipment should not be used for such purposes.



“Made for iPod,” “Made for iPhone,” and “Made for iPad” mean that an electronic accessory has been designed to connect specifically to iPod, iPhone, or iPad, respectively, and has been certified by the developer to meet Apple performance standards. Apple is not responsible for the operation of this device or its compliance with safety and regulatory standards. Please note that the use of this accessory with iPod, iPhone, or iPad may affect wireless performance.

iPod and iPhone are trademarks of Apple Inc., registered in the U.S. and other countries. iPad is a trademark of Apple Inc.

This apparatus includes this label:



Class II equipment symbol:



CLASS II apparatus with double insulation, and no protective earth provided.

Note

- The type plate is located at the rear of the apparatus.

2 Your Micro Hi-Fi System

Congratulations on your purchase, and welcome to Philips! To fully benefit from the support that Philips offers, register your product at www.Philips.com/welcome.

Introduction

With this unit, you can:

- enjoy audio from discs, USB devices, iPod, iPhone, iPad and other external devices
- listen to radio stations

You can enrich sound output with these sound effects:

- Treble and Bass Control
- Loudness Control

The unit supports these media formats:

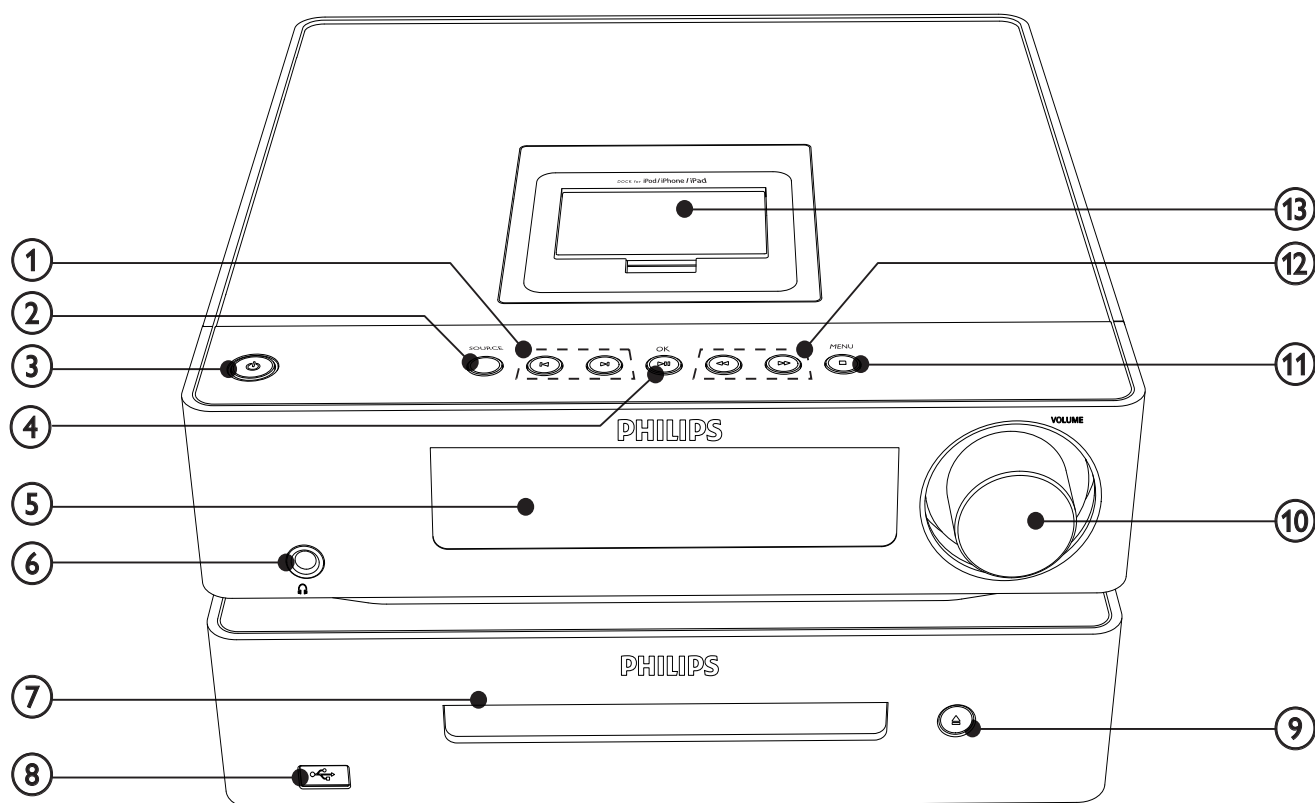


What's in the box

Check and identify the contents of your package:

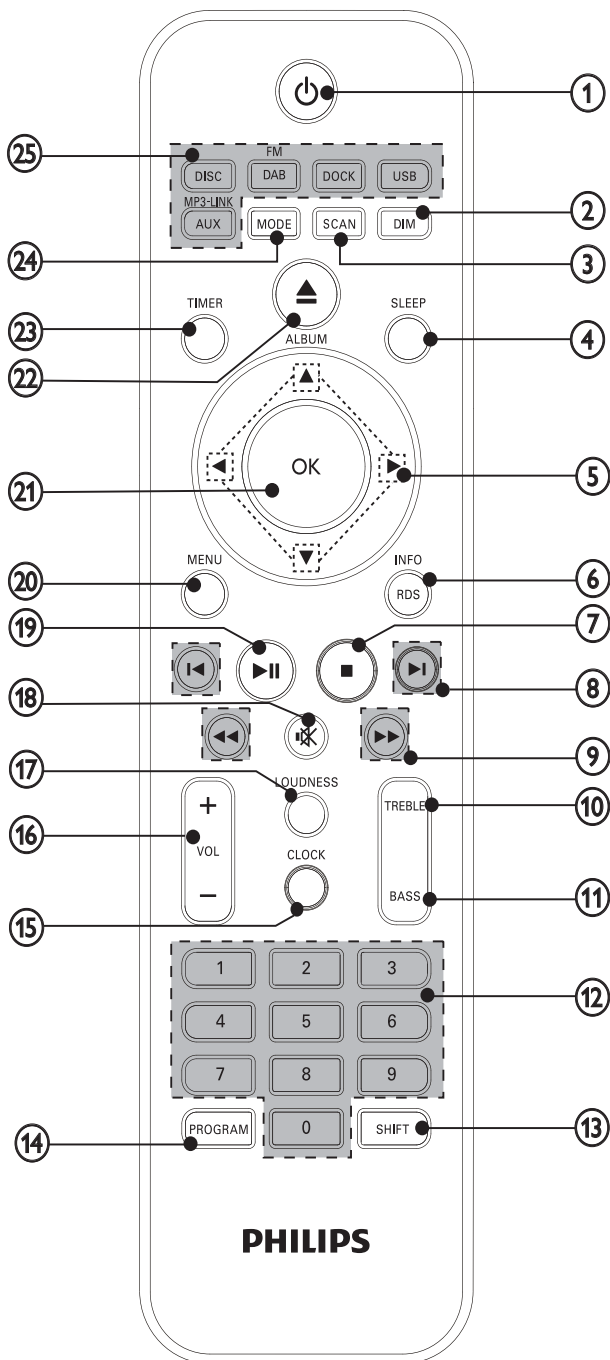
- Main unit
- Speaker X 2
- AC power cord x 2
- Speaker connection cable X 2
- MP3 link cable
- DAB/FM antenna
- Remote control with 2 AAA batteries
- User manual

Overview of the main unit



- ① **⏮ / ⏭**
- Skip to the previous/next track.
 - Select a preset radio station.
- ② **SOURCE**
- Select a source.
- ③ **⏻**
- Turn on this product.
 - Switch to eco-power standby mode or normal standby mode.
- ④ **▶ || / OK**
- Start, pause, or resume play.
 - In DAB or FM mode, confirm the menu option.
 - In FM mode and with no menu option displayed, switch the sound mode between stereo and monophonic.
- ⑤ **Display panel**
- ⑥ **🎧**
- Headphone socket.
- ⑦ **Disc compartment**
- ⑧ **🔌**
- Connect to a USB storage device.
- ⑨ **⏏**
- Eject or close the disc compartment.
- ⑩ **VOLUME**
- Adjust the time, volume level, treble level, or bass level.
- ⑪ **■ / MENU**
- Stop the play of music.
 - Press twice to erase a program.
 - In normal standby mode, turn on or off Demo mode.
 - In DAB or FM mode, access the menu.
- ⑫ **⏪ / ⏩**
- Search backward or forward.
 - Tune to an FM radio station.
 - Select the previous/next stored DAB radio station.
 - In DAB/FM mode, navigate through the menu.
- ⑬ **DOCK for iPod/iPhone/iPad**

Overview of the remote control

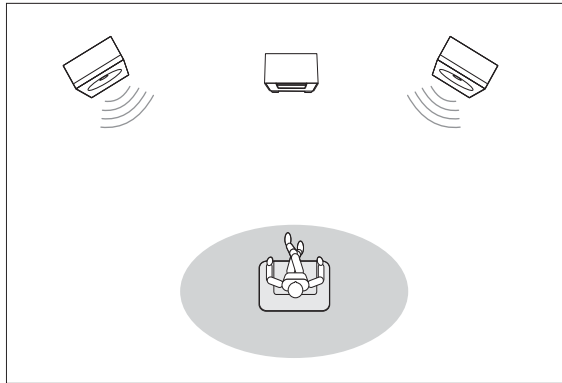


- ① **⏻**
 - Turn on this product.
 - Switch to the eco-power standby mode or normal standby mode.
- ② **DIM**
 - Adjust the brightness of display panel.
 - Press and hold to turn on or off the LED light at the bottom of the unit and at the volume knob.
- ③ **SCAN**
 - Search for available FM or DAB radio stations.
- ④ **SLEEP**
 - Set the sleep timer.
- ⑤ **▲▼◀▶**
 - ▲▼: Skip to the previous/next album.
 - ◀▶: Select a preset DAB radio station. Navigate through the FM/DAB menu.
- ⑥ **RDS/INFO**
 - Display the information of RDS/DAB radio program.
 - Synchronize the clock with an RDS radio station that transmits time signals.
 - Display the current status or the media information.
 - Display available ID3 information of MP3 tracks.
- ⑦ **■**
 - Stop the play of music.
 - Press twice to erase a program.
 - In the normal standby mode, turn on or off Demo mode.
 - In the DAB or FM mode, access the menu.
- ⑧ **◀▶**
 - Skip to the previous/next track or file.
 - Select a preset radio station.

- ⑨ **◀◀ / ▶▶**
- Search backward or forward fast.
 - Tune to an FM radio station.
 - Select a preset DAB radio station.
 - In the DAB or FM mode, navigate through the menu.
- ⑩ **TREBLE**
- Activate the adjustment of treble level.
- ⑪ **BASS**
- Activate the adjustment of bass level.
- ⑫ **Numeric keypad**
- Enter numbers.
 - Enter the track number to select a track directly.
 - Enter the sequence number to select a preset radio station.
- ⑬ **SHIFT**
- Switch the entry of a one, two or three-digit number by the numeric keypad.
- ⑭ **PROGRAM**
- Program radio stations.
 - Program audio tracks.
- ⑮ **CLOCK**
- Set the clock.
 - Display the preset clock.
- ⑯ **VOL +/-**
- Adjust the time, volume level, treble level, or bass level.
- ⑰ **LOUDNESS**
- Turn on or off automatic loudness adjustment.
- ⑱ **🔇**
- Mute or restore volume.
- ⑲ **▶||**
- Start, pause, or resume the play.
 - In the DAB or FM mode, confirm the menu option.
- ⑳ **MENU**
- Access the menu of iPod/iPhone/iPad.
 - In the DAB or FM mode, access the menu.
- ㉑ **OK**
- Confirm an entry or selection.
 - In the FM mode and with no menu option displayed, switch the sound mode between stereo and monophonic.
- ㉒ **▲**
- Eject or close the disc compartment.
- ㉓ **TIMER**
- Set the alarm timer.
- ㉔ **MODE**
- Select a play mode: normal play, repeat, or shuffle.
- ㉕ **Source buttons**
- Select a source.

3 Before use

Place the product



Place the speakers at an angle of approximately 45 degrees from the listening position.

Note

- To avoid magnetic interference or unwanted noise, never place this product too close to any radiation devices.

Connect

Make the following connections to use this product.

Note

- Refer to the type plate at the back or bottom of the product for identification and supply ratings.
- Before you make or change any connections, make sure that all the devices are disconnected from the power outlet.
- The **DEMO** jack is only applicable to the demo unit that is not included in the apparatus. Do not attempt to connect any other device to the apparatus through this jack.

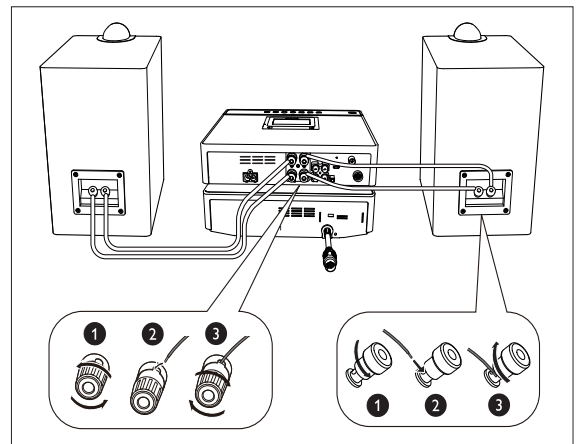
Connect speakers

Note

- Insert the stripped portion of each speaker wire into the socket completely.
- For the optimal sound, use the supplied speakers only.
- Connect speakers only with impedance that is the same or higher than that of the supplied speakers.

Two speaker cables are supplied. Each speaker cable has two strands.

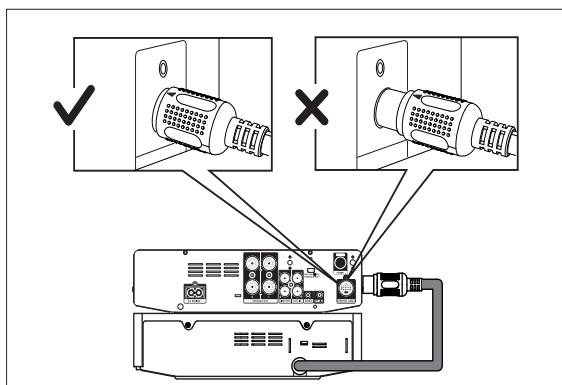
- the red strand for the connectors marked with “+”
- the silvery strand for the connectors marked with “-”



- 1 Unscrew the connectors for speaker cable on this product and the speakers.
- 2 Connect a speaker cable to the left speaker and the **SPEAKER OUT L (+/-)** connectors on this product.
- 3 Screw the connectors to secure the cable.
- 4 Connect the other speaker cable to the right speaker and the **SPEAKER OUT R (+/-)** connectors on this product.
- 5 Screw the connectors to secure the cable.

Connect the control cable

Fully insert the control cable connector to the **CONTROL CABLE** socket.



Note

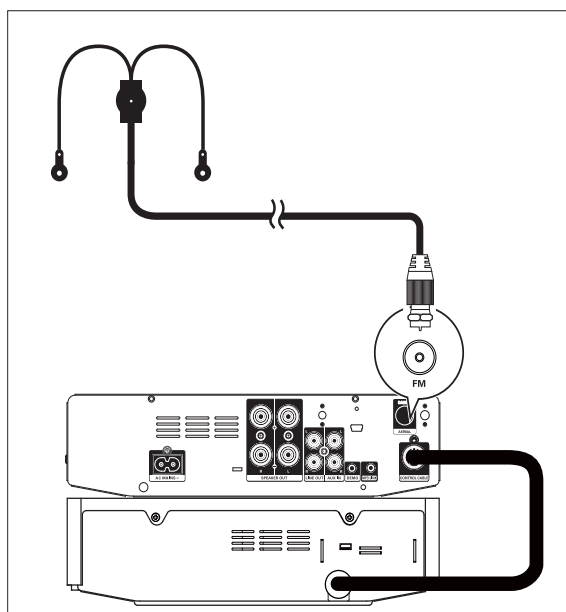
- Connect the control cable correctly and tightly to avoid abnormal performance.

Connect the DAB/FM antenna

Tip

- Make sure that you have connected and fully extended the antenna before you connect the power supply.
- For better reception, connect an outdoor FM antenna to the **DAB/FM AERIAL** socket.
- The unit does not support MW radio reception.

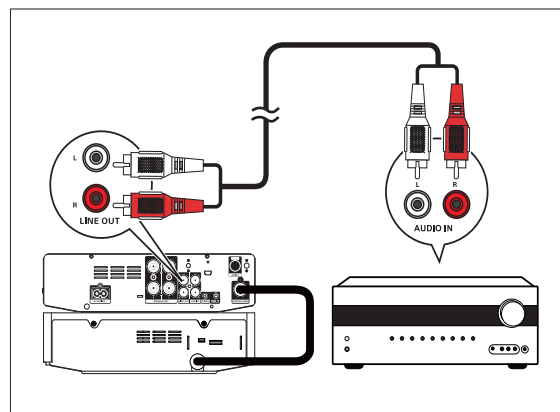
Connect the supplied DAB/FM wire antenna to the **DAB/FM AERIAL** socket.



Route audio to other devices

You can route the audio from this product to other devices.

Connect an analogue stereo system



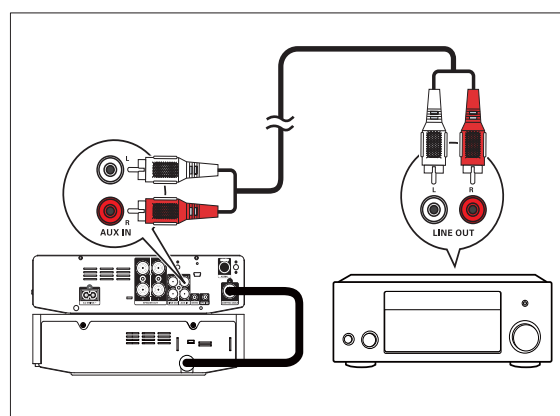
Connect the audio cable to:

- the **LINE OUT L/R** jacks on this product.
- the audio input jacks on the device.

Route audio from other devices

Press **MP3-LINK/AUX** to select the audio input through the **MP3 LINK** socket or the **AUX IN L/R** sockets.

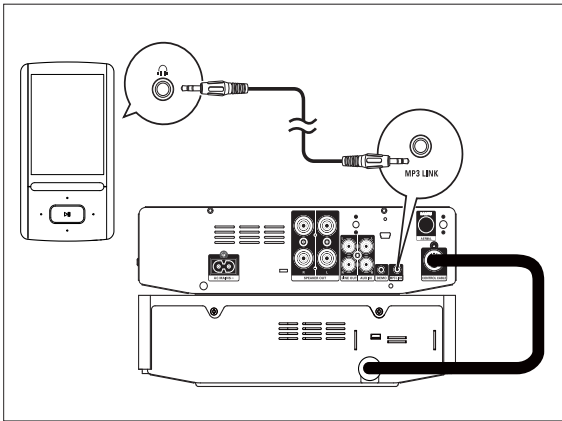
Route audio input through the AUX IN sockets



Connect an audio cable to:

- the **AUX IN L/R** sockets on this product.
- the audio output sockets on the external device (for example, TV, audio player).

Route audio input through the MP3 LINK socket



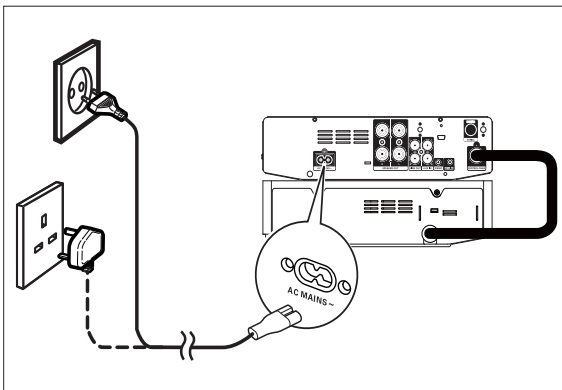
Connect an MP3 Link cable to:

- the **MP3 LINK** socket on this product.
- the headphone socket on the external device (for example, MP3 player).

Connect power

! Caution

- Risk of product damage! Make sure that the power supply voltage corresponds to the voltage printed on the back or the underside of the unit.
- Before you connect the AC power cord, make sure that you have completed all other connections.



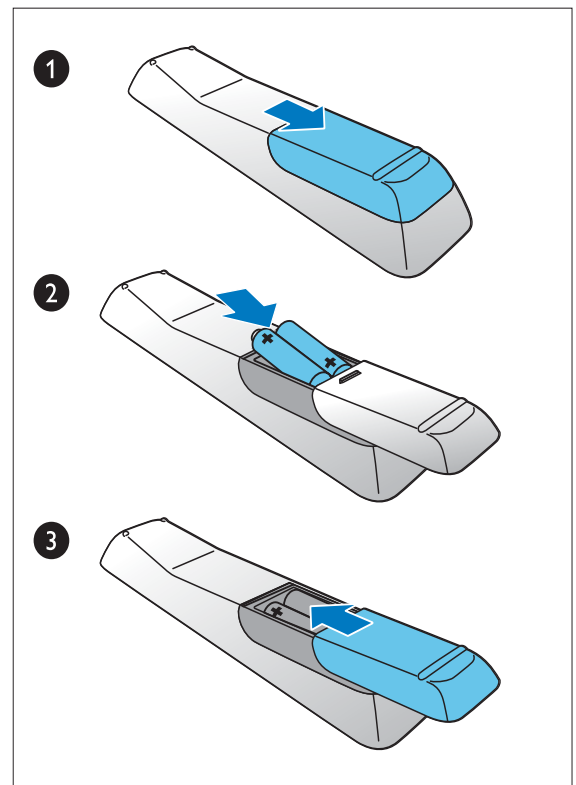
Connect the AC power cord to:

- the **AC MAINS~** socket on this product.
- the wall power socket.

Install/replace the batteries of remote control

≡ Note

- Risk of explosion! Keep batteries away from heat, sunshine or fire. Never discard batteries in fire.
- Remove the battery if the remote control is not to be used for an extended period of time.



- 1 Press and push the battery compartment to slide it open.
- 2 Insert two AAA batteries with correct polarity (+/-) as indicated.
- 3 Push and slide back the battery compartment.

4 Get started



Caution

- Use of controls or adjustments or performance of procedures other than herein may result in hazardous radiation exposure or other unsafe operation.

Always follow the instructions in this chapter in sequence.

Turn on

Press .



- ↳ This product switches to the last selected source.

Switch modes

Automatically switch the modes:

- After this product keeps inactive for 15 minutes, it automatically switches to the normal standby mode.
- After this product keeps in the normal standby mode for 15 minutes, it automatically switches to the eco power standby mode.

Manually switch the modes:

- Press and hold  to switch this product:
 - from the working mode or normal standby mode to the eco power standby mode.
 - from the eco power standby mode to the normal standby mode.
- Press  to switch this product
 - between the working mode and a standby mode.



Note

- When an iPod/iPhone/iPad is connected, this product does not switch to the eco-power standby mode.

Set clock



- 1 In the normal standby mode, press and hold **CLOCK** to activate the clock setting mode.
 - ↳ **[CLOCK SET]** scrolls on the display panel, and then **[CLOCK 24HR]** (24-hour time format) is displayed with "24" blinking.
- 2 Press **VOL +/-** to select **[CLOCK 24HR]** or **[CLOCK 12HR]** (12-hour time format), and then press **CLOCK** to confirm.
 - ↳ The hour digits begin to blink.
- 3 Press **VOL +/-** to set the hour.
- 4 Press **CLOCK** to confirm.
 - ↳ The minute digits begin to blink.
- 5 Press **VOL +/-** to set the minute.
- 6 Press **CLOCK** to confirm.
 - ↳ The set clock is displayed.



Tip

- To adjust the digits of hour or minute, you can also turn the **VOLUME** knob on the main unit or press **◀/▶** on the remote control.

Demonstrate features

- 1 In the normal standby mode, press .
 - **[DEMO ON]** is displayed, and then feature names scroll on the display panel one by one.
- 2 To exit the feature demonstration, press  again.

Adjust brightness of display panel

Press **DIM** repeatedly to select different brightness levels.

Turn on or off LED light

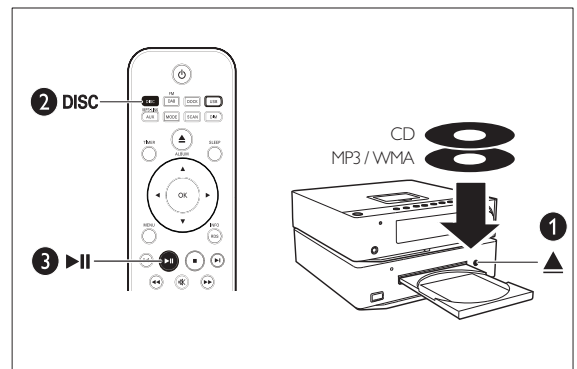
In the working mode, press and hold **DIM** to turn on or off the LED light at the bottom of the unit and at the volume knob.

5 Play

Play a disc

Caution

- Risk of damage to the player! During play, never move the unit.
- Never put any object other than a disc into the disc compartment.
- Never look at the laser beam inside the player.
- Never play discs with accessories such as disc stabilizer rings or disc treatment sheets.

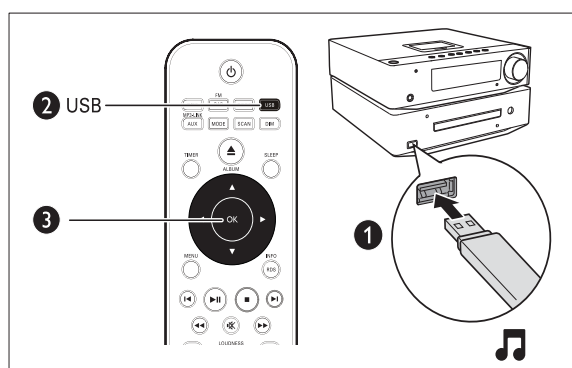


- 1** Load a disc.
 - 1) Press **▲** to eject the disc tray.
 - 2) Place a disc onto the disc tray with its label facing up.
 - 3) Press **▲** to close the disc compartment.
- 2** Press **DISC** to select the disc source.
- 3** Press **▶||** if the play does not start automatically.

Play from a USB storage device

Note

- Philips does not guarantee compatibility with all USB devices.
- NTFS (New Technology File System) data format is not supported.



Make sure that the USB storage device contains playable audio contents.

- 1 Insert the USB storage device into the (USB) socket.
- 2 Press **USB** to select the USB source.
↳ Play starts automatically.

If the play does not start automatically,

- 1 Press **ALBUM/ ▲ ▼** to select a folder.
- 2 Press **◀ / ▶** to select a file.
- 3 Press **▶ ||** to start the play.

Basic operations

Buttons	Actions
▶ 	Start, pause, or resume the play.
■	Stop the play.
◀ / ▶	Skip to the previous/next file.
◀◀ / ▶▶	Press and hold to search backward/forward fast.
MODE	Select a play mode: normal play, repeat, or shuffle.
RDS/INFO	Display the current status and media information.

Program audio tracks


- 1 Press **■** to stop the play.
- 2 Press **PROGRAM**.
↳ **[PRG]** blinks on the display panel.
- 3 Press **◀ / ▶** to select a track number.
- 4 Press **PROGRAM**.
- 5 Repeat steps 3 and 4 to program more tracks.
- 6 Press **▶ ||** to play the programmed tracks.
 - To erase the program, press **■** twice.

Note

- The programmed tracks must be stored on the same disc or folder.
- You can program a maximum of 20 tracks.

Adjust sound

During play, you can adjust the volume level and sound effect through following operations.

Buttons	Actions
VOL +/-	Press to increase or decrease the volume level.
	Press to mute or restore the sound.
LOUDNESS	Press to turn on or off the automatic loudness control.
BASS	Press BASS , and then press VOL +/- to increase or decrease the bass level.
TREBLE	Press TREBLE , and then press VOL +/- to increase or decrease the treble level.

6 Play from iPod/iPhone/iPad

You can enjoy audio from iPod/iPhone/iPad through this unit.



Note

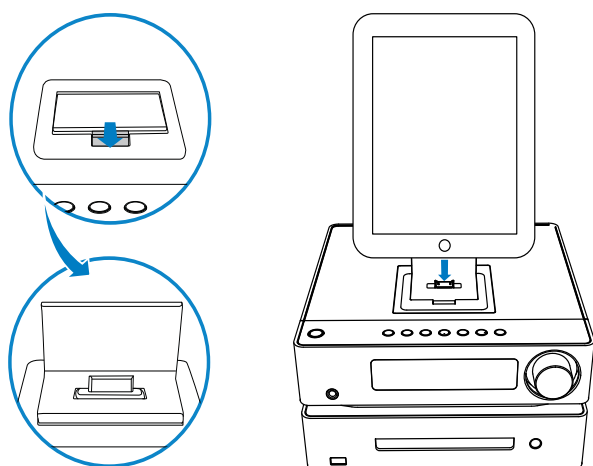
- No audio output from the headphone jack in this situation.

Compatible iPod/iPhone/iPad

The unit supports the following iPod, iPhone and iPad models.

- iPad 2
- iPad
- iPhone 4
- iPhone 3GS
- iPhone 3G
- iPhone
- iPod touch (1st, 2nd, 3rd, and 4th generation)
- iPod nano (1st, 2nd, 3rd, 4th, 5th, and 6th generation)
- iPod classic
- iPod with video
- iPod with color display
- iPod mini

Load the iPod/iPhone/iPad



- 1 Release the dock on the top panel.
- 2 Connect the iPod/iPhone/iPad to the dock.

Listen to the iPhone/iPod/iPad

- 1 Press **DOCK** to select iPhone/iPod/iPad source.
- 2 Load your iPhone/iPod/iPad onto this product.
- 3 Select and play a file on your iPhone/iPod/iPad.
 - To pause/resume the play, press **▶||**.
 - To skip to a track, press **◀|▶**.
 - To stop the play, press **■**.
 - To select a file by the remote control: press **MENU** to access the menu, press **▲ / ▼** to select an item, and then press **OK** to confirm.

Note

- The music stops when the iPhone receives an incoming call.

Charge the iPod/iPhone/iPad

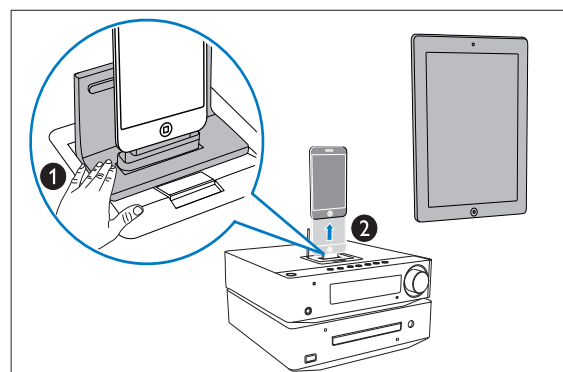
The docked iPod/iPhone/iPad begins to charge as soon as this product is connected to AC power.

Note

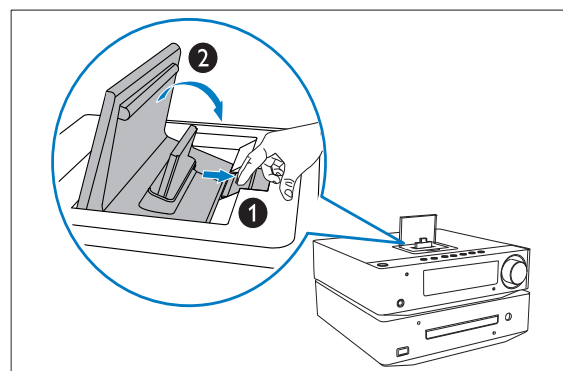
- iPod with color display, iPod classic, and iPod with video are not compatible with dock charging.

Remove the iPod/iPhone/iPad

- 1 Pull the iPod/iPhone/iPad out of the dock.



- 2 Hide the dock.



7 Listen to radio

Note

- Make sure that you have correctly connected and fully extended the antenna.
- You can program a maximum of 30 DAB radio stations and 30 FM radio stations.
- Check with local retailer or go to www.WorldDAB.org for the applicable DAB radio frequencies in your area.
- Refer to "Product information" > "RDS program types" for more information about RDS radio stations.

Store DAB radio stations automatically

If no DAB radio station is stored, this product can search and store DAB radio stations automatically.

- 1 Press **DAB/FM** repeatedly to switch to the DAB mode.
↳ **[FULL SCAN]** is displayed.
- 2 Press **▶||** or **OK** to start the auto installation.
↳ This product automatically stores radio stations with sufficient signal strength.
↳ After all available radio stations are stored, the first stored radio station is broadcast automatically.

Basic operations

Follow the instructions below for more functions.

Tune to the next FM radio station with sufficient signal strength at the lower/higher frequency:

Press and hold **◀◀ / ▶▶** to start the auto search.

Tune to the FM radio station at a specific frequency:

Press **◀◀ / ▶▶** repeatedly until the frequency digitals are displayed.

Program FM radio stations automatically:

Press and hold **SCAN** or **PROGRAM** to start the auto programming.

Program DAB radio stations automatically:

Press and hold **SCAN** to start the auto programming.

Program radio stations manually:

- 1) Tune to a radio station.
- 2) Press **PROGRAM** to activate the programming.
- 3) Press **◀| / ▶|** or **▲ / ▼** to assign a sequence number to the radio station.
- 4) Press **PROGRAM** to confirm.
- 5) Repeat steps 1-4 to program more radio stations.

Tune to a preset radio station:

Press **◀| / ▶|** repeatedly.

Switch the audio mode between [STEREO] (stereo) and [MONO] (monophonic) for FM radio:

Press **OK** repeatedly.

Display available information about the current radio station:

Press **RDS/INFO** repeatedly.

Synchronize the clock with an RDS radio station:

- 1) Tune to an RDS radio station that transmits time signals.
 - 2) Press and hold **RDS** until **[CT SYNC]** is displayed.
-

Use the menu

When you listen to radio, you can access the menu for control options.

- 1 Press **MENU** or **■**.
 - ↳ FM mode: **[SCAN SETTINGS]** is displayed.
 - ↳ DAB mode: **[STATION]** is displayed.
- 2 Press **◀/▶** or **◀◀/▶▶** to select a menu option, and then press **OK** or **▶||** to confirm the option or enter the lower-level menu.

FM mode

[SCAN SETTINGS]	Search and store radio stations automatically: [STRONG] for radio stations with strong signal only, [ALL] for all radio stations.
[AUDIO]	Select an sound mode: [STEREO] or [MONO] .
[SYSTEM]	[RESET] : Reset all settings to the factory default status. [SW VER] : Display the current version of the firmware. [UPGRADE] : Upgrade the firmware.

DAB mode

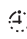
[STATION]	Access the list of the previously stored DAB radio stations. Press ◀◀/▶▶ or ◀▶ to select a station, and then ▶ to start listening.
[FULL SCAN]	Scan and store DAB radio stations within full range.
[MANUAL]	Tune to a DAB radio station manually.
[DRC]	Dynamic Range Control: Select a level for the effect of dynamic range control.
[SYSTEM]	[RESET] : Reset all settings to the factory default status. [SW VER] : Display the version of the current firmware. [UPGRADE] : Upgrade the firmware.

- 3 Press **MENU** or **■** to exit the menu.

8 Other features

Set the alarm timer

You can use this product as an alarm clock. You can select CD, USB, Dock, iPod/iPhone/iPad playlist, FM, or DAB as the alarm source.

- 1 Make sure that you have set the clock correctly.
- 2 In the normal standby mode, press and hold **TIMER** until **[TIMER SET]** scrolls on the display.
- 3 Press **VOL +/-** to select an alarm source: CD, FM, DAB, USB, Dock, or iPod/iPhone/iPad playlist.
 - To use iPod/iPhone/iPad playlist as the alarm source, create a playlist named "PHILIPS" in your iPod/iPhone/iPad first.
 - If no playlist named "PHILIPS" exists in the iPod/iPhone/iPad or the playlist includes no playable track, this product switches the alarm source to iPod/iPhone/iPad.
- 4 Press **TIMER** to confirm.
 - ↳ The hour digits begin to blink.
- 5 Press **VOL +/-** repeatedly to set the hour, and then press **TIMER** to confirm.
 - ↳ The minute digits begin to blink.
- 6 Press **VOL +/-** to set the minute, and then press **TIMER** to confirm.
 - ↳ **[VOL]** is displayed and the digits of volume level begin to blink.
- 7 Press **VOL +/-** to adjust the alarm volume, and then press **TIMER** to confirm.
 - ↳  is displayed.
 - To deactivate/activate the alarm timer, press **TIMER** repeatedly.

Note

- The alarm timer is not available in MP3 LINK mode.
- If other alarm sources are unavailable, this product switches to FM mode automatically.

Set the sleep timer

This unit can switch to standby automatically after a set period of time.

In the working mode, press **SLEEP** repeatedly to select a set period of time (in minutes).

- To deactivate the sleep timer, press **SLEEP** repeatedly until **[SLEEP--OFF]** is displayed.
- ↳ When the sleep timer is activated, **zZ** is displayed.
- ↳ When sleep timer is deactivated, **zZ** disappears.

9 Upgrade the firmware

Note

- Power supply must not be interrupted during the upgrade.
- The firmware upgrade can only be available through the mini-USB port on the back plate.
- When the firmware upgrade succeeds, all settings are restored to the factory default status.

Register your product

- 1 Go to www.philips.com/welcome.
- 2 Click the link of "**Register my product**" (the exact wording of this link name may vary in different languages).
- 3 Login with your account on the prompt Web page.
 - If you have no account for Club Philips, create one first on this Web page.
- 4 Search your product with "**DCB8000/10**" as the keywords.
- 5 Click the link of search result to access the Web page for registering your product.
- 6 Fill in necessary information about this product to complete the registration.
 - ↳ With the registration, you can get information about software update and product support at this website or via your mailbox that is registered as the account for Club Philips.

Check the current firmware version

Follow the steps to check the current version of firmware on your product.

- 1 Press **DAB/FM** to switch to radio mode.
- 2 Press **MENU** or **■** to access the menu.
- 3 Press **◀/▶** or **◀◀/▶▶** to select **[SYSTEM]**.
- 4 Press **OK** or **▶▶**.
- 5 Press **◀/▶** or **◀◀/▶▶** to select **[SW VER]**.
- 6 Press **OK** or **▶▶**.
 - ↳ The version of current firmware scrolls on the display panel

Perform the upgrade

- 1 Go to www.philips.com/welcome.
- 2 Login with your account for Club Philips.
 - ↳ Support information about your registered product is displayed.
- 3 Click the link of "**Firmware Upgrade Readme File**" (the exact wording of this link name may vary in different languages).
- 4 Read and understand the instructions on firmware upgrade.
- 5 Follow the instructions to download the upgrade packet and complete the upgrade.
 - If the upgrade fails, reconnect the power supply, turn on this product, and perform the upgrade again.

10 Product information



Note

- Product information is subject to change without prior notice.

Specifications

Amplifier

Rated Output Power	2 X 80 W RMS
Frequency Response	20 - 20000 Hz, ±3 dB
Signal to Noise Ratio	> 82 dBA
Aux Input	1000 mV RMS, 22 kOhm

Disc

Laser Type	Semiconductor
Disc Diameter	12cm/8cm
Support Disc	CD-DA, CD-R, CD-RW, MP3-CD, WMA-CD
Audio DAC	24Bits / 44.1kHz
Total Harmonic Distortion	<0.8% (1kHz)
Frequency Response	4Hz -20kHz (44.1kHz)
S/N Ratio	>82dBA

FM Tuner

Tuning Range	87.5 - 108 MHz
Tuning grid	50 kHz
- Mono, 26 dB S/N Ratio	< 22 dBf
- Stereo, 46 dB S/N Ratio	< 43 dBf
Search Sensitivity	< 28 dBf
Total Harmonic Distortion	< 2%
Signal to Noise Ratio	> 55 dB

DAB Tuner

Tuning Range	174–240 MHz (Band III)
Sensitivity	> 90 dBf

Speakers

Speaker Impedance	6ohm
Speaker Driver	13 cm woofer + 2.5 cm Dome tweeter
Sensitivity	>86dB/m/W ± 4dB/m/W

General information

AC power	220 - 240V~, 50/60 Hz
Operation Power Consumption	45 W
Power Consumption in Eco-power Standby Mode	< 0.5 W
Headphone output	2X15 mW, 32 Ohm
USB Direct	version 2.0 FS
Dimensions	
- Main Unit (W × H × D)	270 × 143 × 279 mm
- Speaker Box (W × H × D)	180 × 320 × 282 mm
Weight	
- With Packing	17 kg
- Main Unit	4.75 kg
- Speaker Box	2 × 4.8 kg

USB playability information

Compatible USB devices:

- USB flash memory (USB 2.0 or USB1.1)
- USB flash players (USB 2.0 or USB1.1)
- memory cards (requires an additional card reader to work with this unit)

Supported formats:

- USB or memory file format FAT12, FAT16, FAT32 (sector size: 512 bytes)
- MP3 bit rate (data rate): 32-320 Kbps and variable bit rate
- WMA v9 or earlier
- Directory nesting up to a maximum of 8 levels
- Number of albums/ folders: maximum 99
- Number of tracks/files: maximum 999
- ID3 tag v2.0 or later
- File name in Unicode UTF8 (maximum length: 64 bytes)

Unsupported formats:

- Empty albums: an empty album is an album that does not contain MP3/WMA files, and is not be shown in the display.
- Unsupported file formats are skipped. For example, Word documents (.doc) or MP3 files with extension .dlf are ignored and not played.
- AAC, WAV, PCM audio files
- DRM protected WMA files (.wav, .m4a, .m4p, .mp4, .aac)
- WMA files in Lossless format

Supported MP3 disc formats

- ISO9660, Joliet
- Maximum track/file number: 512 (depending on file name length)
- Maximum album number: 255
- Supported sampling frequencies: 32 kHz, 44.1kHz, 48 kHz
- Supported Bit-rates: 32~320 (kbps), variable bit rates

RDS program types

NO TYPE	No RDS programme type
NEWS	News services
AFFAIRS	Politics and current affairs
INFO	Special information programs
SPORT	Sports
EDUCATE	Education and advanced training
DRAMA	Radio plays and literature
CULTURE	Culture, religion and society
SCIENCE	Science
VARIED	Entertainment programs
POP M	Pop music
ROCK M	Rock music
MOR M	Light music
LIGHT M	Light classical music
CLASSICS	Classical music
OTHER M	Special music programs
WEATHER	Weather
FINANCE	Finance
CHILDREN	Children's programs
SOCIAL	Social Affairs
RELIGION	Religion
PHONE IN	Phone In
TRAVEL	Travel
LEISURE	Leisure
JAZZ	Jazz Music
COUNTRY	Country Music
NATION M	National Music
OLDIES	Oldies Music
FOLK M	Folk Music
DOCUMENT	Documentary
TES	Alarm Test
ALARM	Alarm

11 Troubleshooting



Warning

- Never remove the casing of this apparatus.

To keep the warranty valid, never try to repair the system yourself.

If you encounter problems when using this apparatus, check the following points before requesting service. If the problem remains unsolved, go to the Philips web site (www.philips.com/welcome). When you contact Philips, ensure that the apparatus is nearby and the model number and serial number are available.

Problem	Solution
No power	<p>Make sure that the AC power cord of the unit is connected properly.</p> <p>Make sure that there is power at the AC outlet.</p> <p>With a power-saving feature, the system switches off automatically 15 minutes after the product stays inactivity.</p>
No sound or poor sound	<p>Make sure that you connect the control cable correctly and tightly.</p> <p>Adjust the volume.</p> <p>Disconnect the headphones.</p> <p>Make sure that the speakers are connected correctly.</p> <p>Make sure that the stripped speaker wires are clamped.</p>
No response from the unit	<p>Reconnect the AC power plug, and then turn on the unit again.</p> <p>With a power-saving feature, the system switches off automatically 15 minutes after the product stays inactivity.</p>

Remote control does not work	<p>Before you press any function button, select the correct source with the remote control instead of the main unit.</p> <p>Make sure that you connect the control cable correctly and tightly.</p> <p>Reduce the distance between the remote control and the main unit.</p> <p>Insert each battery with its polarities (+/- signs) aligned as indicated.</p> <p>Replace the batteries.</p> <p>Aim the remote control directly at the sensor on the front of the main unit.</p>	Clock/timer setting erased	<p>Power has been interrupted or the power cord has been disconnected.</p> <p>Reset the clock/timer.</p>
No disc detected	<p>Insert a disc.</p> <p>Make sure that the disc is inserted with its label facing upwards.</p> <p>Wait until the moisture condensation at the lens has cleared.</p> <p>Replace or clean the disc.</p> <p>Make sure that the recordable disc is finalized and the format supported.</p>		
USB storage device not supported	<p>Make sure that the USB storage device is incompatible with the product.</p> <p>Try another one.</p>		
Cannot play some files on the USB storage device	<p>Make sure that the file format is supported.</p> <p>Make sure that the file quantity does not exceed the maximum.</p>		
Poor radio reception	<p>Increase the distance between the product and TV or VCR.</p> <p>Fully extend the antenna.</p> <p>Connect an outdoor FM/DAB antenna instead.</p>		
Timer does not work	<p>Set the clock correctly.</p> <p>Switch on the timer.</p>		

