

# Always there to help you

Register your product and get support at  
[www.philips.com/welcome](http://www.philips.com/welcome)

Question?  
Contact  
Philips

DCB2070



## User Manual

# PHILIPS

# Contents

---

<b>1 Important</b>	4	Show DAB+ information	14
Hearing Safety	4	Use DAB+ menu	14

---

<b>2 Your Micro System</b>	5	<b>6 Listen to FM radio</b>	15
Introduction	5	Tune to FM radio stations	15
What's in the box	5	Store FM radio stations automatically	15
Overview of the main unit	6	Store FM radio stations manually	15
Overview of the remote control	7	Select a preset radio station	15
		Select stereo/mono broadcast	15
		Use FM menu	16

---

<b>3 Get started</b>	9	<b>7 Other features</b>	16
Placement	9	Adjust system settings	16
Prepare FM/DAB+ antenna	9	Set the alarm timer	17
Prepare the remote control	9	Set the sleep timer	18
Connect power	9	Play from external audio device	18
Set clock	10	Listen through the headphone	18
Turn on	10		

---

<b>4 Play</b>	11	<b>8 Product information</b>	18
Play disc	11	Specifications	18
Play from USB	11	USB playability information	19
Play from iPod/iPhone/iPad	11	Supported MP3 disc formats	19
Play options	12		
Adjust sound	13	<b>9 Troubleshooting</b>	20
Display different information	13		

---

<b>5 Listen to DAB+ radio</b>	13	<b>10 Notice</b>	21
Tune to DAB+ radio stations	13		
Store DAB+ radio stations automatically	14		
Store DAB+ radio stations manually	14		
Select a preset DAB+ radio station	14		

# 1 Important

- Read these instructions.
- Follow all instructions.
- Do not block any ventilation openings. Install in accordance with the manufacturer's instructions.
- Do not install near any heat sources such as radiators, heat registers, stoves, or other apparatus (including amplifiers) that produce heat.
- Protect the power cord from being walked on or pinched, particularly at plugs, convenience receptacles, and the point where they exit from the unit.
- Only use attachments/accessories specified by the manufacturer.
- Unplug this unit during lightning storms or when unused for long periods of time.
- Refer all servicing to qualified service personnel. Servicing is required when the unit has been damaged in any way, such as power-supply cord or plug is damaged, liquid has been spilled or objects have fallen into the apparatus, the unit has been exposed to rain or moisture, does not operate normally, or has been dropped.
- Battery usage CAUTION – To prevent battery leakage which may result in bodily injury, property damage, or damage to the remote control:
  - Install all batteries correctly, + and - as marked on the remote control.
  - Do not mix batteries (old and new or carbon and alkaline, etc.).
  - Remove batteries when the remote control is not used for a long time.
- The unit shall not be exposed to dripping or splashing.
- Do not place any sources of danger on the unit (e.g. liquid filled objects, lighted candles).
- Where the plug of the Direct Plug-in Adapter is used as the disconnect device,

the disconnect device shall remain readily operable.



## Warning

- Never remove the casing of this apparatus.
- Never place this apparatus on other electrical equipment.
- Never look into the laser beam inside this apparatus.
- Ensure that you always have easy access to the power cord, plug or adaptor to disconnect this apparatus from the power.

---

## Hearing Safety



## Danger

- To avoid hearing damage, limit the time you use the headphones at high volume and set the volume to a safe level. The louder the volume, the shorter is the safe listening time.

### Be sure to observe the following guidelines when using your headphones.

- Listen at reasonable volumes for reasonable periods of time.
- Be careful not to adjust the volume continuously upwards as your hearing adapts.
- Do not turn up the volume so high that you can't hear what's around you.
- You should use caution or temporarily discontinue use in potentially hazardous situations.
- Excessive sound pressure from earphones and headphones can cause hearing loss.

# 2 Your Micro System

Congratulations on your purchase, and welcome to Philips! To fully benefit from the support that Philips offers, register your product at [www.philips.com/welcome](http://www.philips.com/welcome).

---

## Introduction

**With this unit, you can:**

- enjoy audio from discs, iPod/iPhone/iPad, USB devices, and other external devices
- listen to FM/DAB+ radio

**You can enrich sound output with these sound effects:**

- Digital Sound Control (DSC)
- Dynamic Bass Boost (DBB)

---

## What's in the box

Check and identify the contents of your package:

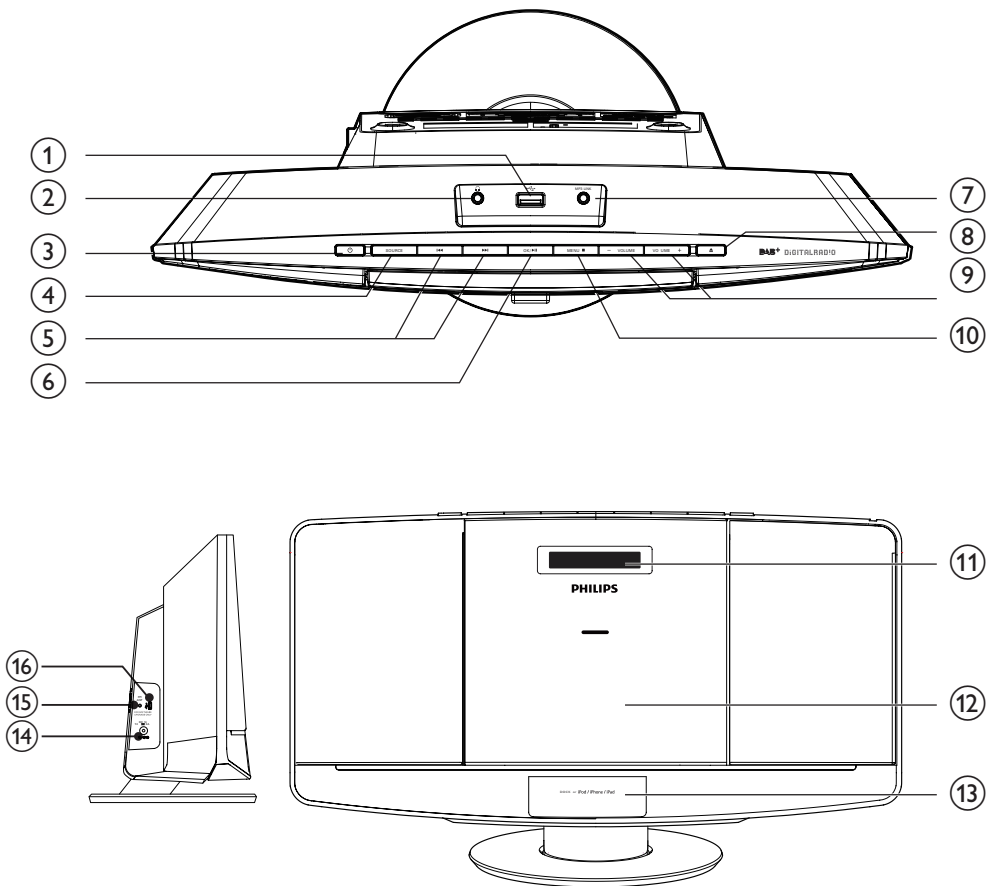
- Main unit
- Remote control (with batteries)
- Power adapter
- 1 x MP3 link cable
- Mounting kit (2 dowels and 2 screws)
- User manual
- Quick start guide
- Wall mounting instructions

If you contact Philips, you will be asked for the model and serial number of this apparatus. The model number and serial number are on the bottom of the apparatus. Write the numbers here:

Model No. \_\_\_\_\_

Serial No. \_\_\_\_\_

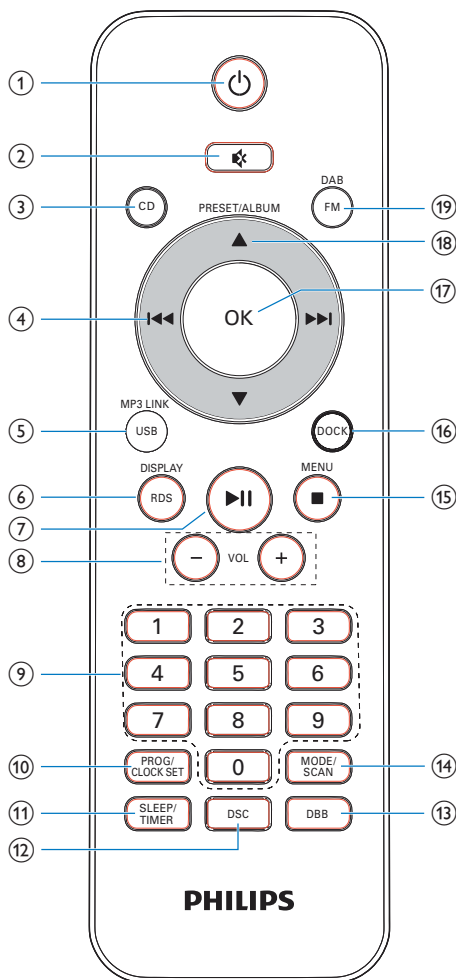
## Overview of the main unit



- ①
  - Connect USB device.
- ②
  - Headphone socket.
- ③
  - Turn the unit on or off.
  - Switch to standby mode.
- ④ **SOURCE**
  - Select a source: CD, USB, DAB+, FM, MP3 Link, or Dock.
- ⑤
  - Skip to the previous or next track.
  - Search within a track or disc.
  - Tune to radio stations.
  - Adjust time.
- ⑥ **OK / Play/Pause icon**
  - Start or pause play.
  - Confirm selection.
  - Switch between mono and stereo broadcast.
- ⑦ **MP3-LINK**
  - Connect an external audio device.

- ⑧ ▲
  - Open or close the disk tray.
- ⑨ VOLUME + / -
  - Adjust volume.
- ⑩ MENU / ■
  - Access iPod/iPhone menu.
  - Access FM or DAB+ menu.
  - Stop play or erase a program.
- ⑪ Display panel
  - Show play information.
- ⑫ Disc tray
- ⑬ DOCK for iPod/iPhone/iPad
- ⑭ DC IN
  - Connect power.
- ⑮ FM ANT
  - Improve FM/DAB+ radio reception.
- ⑯ FOR SOFTWARE UPDATE ONLY
  - Update software via USB connector (if available).

## Overview of the remote control



- ① ⏻
  - Turn the unit on or off.
  - Switch to standby mode.
- ② 🔇
  - Mute or resume sound.
- ③ CD
  - Select CD source.

- ④ **⏮ / ⏭**
  - Skip to the previous or next track.
  - Search within a track or disc.
  - Tune to radio stations.
  - Adjust time.
- ⑤ **USB/MP3 LINK**
  - Select USB or MP3 link source.
- ⑥ **RDS/DISPLAY**
  - Have no RDS function.
  - Show time and play information.
  - Show DAB+ information.
- ⑦ **▶ ||**
  - Start or pause play.
- ⑧ **VOL +/-**
  - Adjust volume.
- ⑨ **Numeric Keypad 0 - 9**
  - Select a track from a disc or USB device directly.
  - Select a preset radio station.
- ⑩ **PROG/CLOCK SET**
  - Program tracks.
  - Program radio stations.
  - Set time.
- ⑪ **SLEEP/TIMER**
  - Set sleep and alarm timer.
- ⑫ **DSC**
  - Select a preset sound setting.
- ⑬ **DBB**
  - Turn dynamic bass enhancement on or off.
- ⑭ **MODE/SCAN**
  - Select a play mode.
  - Scan or store radio stations automatically.
- ⑮ **MENU/■**
  - Access iPod/iPhone menu.
  - Access FM/DAB+ menu.
  - Stop play or erase a program.
- ⑯ **DOCK**
  - Select iPod/iPhone/iPad source.
- ⑰ **OK**
  - Confirm selection.
  - Switch between mono and stereo broadcast.
- ⑱ **▲ / ▼**
  - Select a preset radio station.
  - Skip to previous or next album.
- ⑲ **FM/DAB**
  - Select FM or DAB+ tuner source.

# 3 Get started

## ! Caution

- Use of controls or adjustments or performance of procedures other than herein may result in hazardous radiation exposure or other unsafe operation.

Always follow the instructions in this chapter in sequence.

---

## Placement

You can place the unit on a flat surface or mount the unit on a wall.

---

## Mount on a wall

See the wall mounting instructions included in the package.

---

## Prepare FM/DAB+ antenna

For better reception, fully extend and adjust the position of the FM/DAB+ antenna.

## ☰ Note

- To prevent interference, position the antenna as far as possible from TV, VCR, or other radiation source.

---

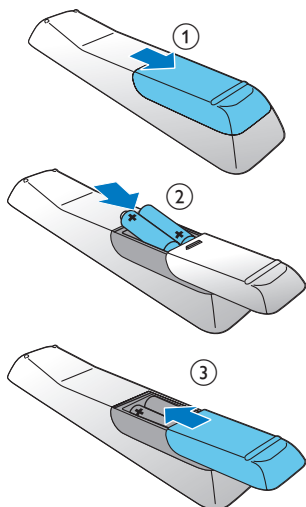
## Prepare the remote control

## ! Caution

- Risk of explosion! Keep batteries away from heat, sunshine or fire. Never discard batteries in fire.
- Risk of decreased battery life! Never mix different brands or types of batteries.

To install the remote control battery:

- 1 Open the battery compartment.
- 2 Insert 2 AAA batteries with correct polarity (+/-) as indicated.
- 3 Close the battery compartment.



---

## Connect power

## ! Caution

- Risk of product damage! Ensure that the power supply voltage corresponds to the voltage printed on the back or the underside of the unit.
- Risk of electric shock! When you unplug the power adapter; always pull the plug from the socket. Never pull the cord.
- Before connecting the power adapter; make sure that you have completed all other connections.

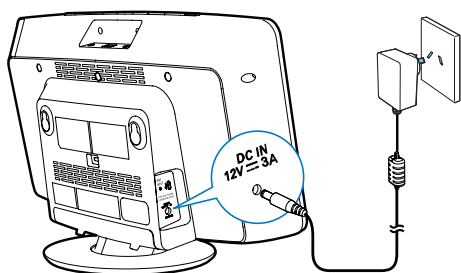
## ☰ Note

- The type plate is located at the back of the unit.

Connect the power adapter to:

- the **DC IN** socket on the main unit.
- the wall socket.





## Turn on

Press  $\odot$ .

↳ The unit switches to the last selected source.

### Note

- To select a source, press **SOURCE** repeatedly or the source selection buttons on the remote control.

## Set clock

- 1 Press  $\odot$  to switch the unit to standby mode.  
↳ --:-- is displayed.
- 2 Press and hold **CLOCK SET** on the remote control for two seconds.  
↳ **[SET CLOCK]** (set clock) scrolls on the display, and then 12 or 24 hour format blinks.
- 3 Press **◀◀ / ▶▶** repeatedly to select hour format.
- 4 Press **CLOCK SET** to confirm.
- 5 Repeat steps 3-4 to set the hour and minute respectively.
- 6 Repeat steps 3-4 to select whether to synchronize time of this unit with DAB+ stations.
  - **[DAB TIME SYNC [N]]**: time synchronization is deactivated.
  - **[DAB TIME SYNC [Y]]**: the unit synchronizes time from the DAB+ stations automatically.

### Note

- The accuracy of the transmitted time depends on the DAB+ station that transmits the time signal.
- If the system is idle for 90 seconds, the unit exits clock setting mode automatically.

## Switch to standby mode

Press  $\odot$  again to switch the unit to standby mode.

↳ The clock (if set) appears on the display panel.

## 4 Play

### Play disc

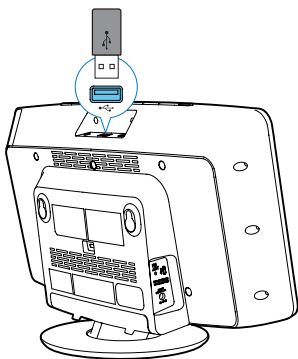
- 1 Press **▲** to open the disc compartment.
- 2 Insert a disc with the printed side facing up.
- 3 Press **▲** to close the disc compartment.
- 4 Press **CD** on the remote control to select the disc source.  
↳ **[Reading]** (reading) blinks for a moment, then CD starts playing automatically. If not, press **▶||**.

### Play from USB

#### Note

- Make sure that the USB device contains playable audio content.

- 1 Insert the USB device into the  socket.



- 2 Press **USB** on the remote control to select the USB source.  
↳ Play starts automatically. If not, press **▶||**.

### Play from iPod/iPhone/iPad

You can enjoy audio from iPod/iPhone/iPad through this unit.

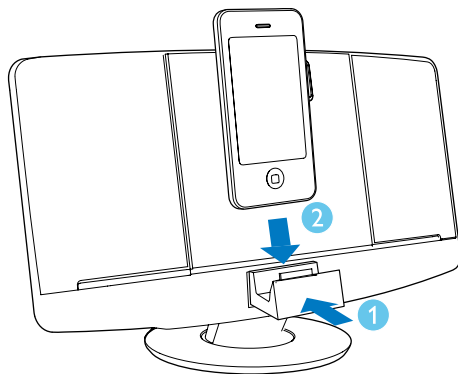
#### Compatible iPod/iPhone/iPad

The unit supports the following iPod, iPhone and iPad models:

Made for:

- iPod touch (1st, 2nd, 3rd, and 4th generation)
- iPod nano (2nd, 3rd, 4th, 5th, and 6th generation)
- iPhone 4
- iPhone 3GS
- iPhone 3G
- iPhone
- iPad 2
- iPad

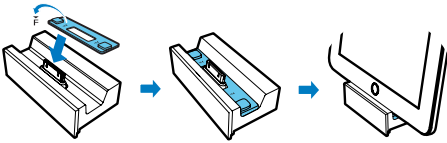
#### Load the iPod/iPhone/iPad



- 1 Push to open the dock compartment.
- 2 Place the iPod/iPhone/iPad in the dock.

#### Install the rubber pad

If necessary, install the supplied rubber pad to keep the iPad/iPad 2 stable before you place the iPad/iPad 2.



---

## Listen to the iPod/iPhone/iPad

### Note

- Make sure that the iPod/iPhone/iPad is loaded correctly.

- 1 Press **SOURCE** repeatedly or **DOCK** on the remote control to select iPod/iPhone/iPad source.
- 2 Play tracks on the iPod/iPhone/iPad.
  - To pause or resume play, press **▶||**.
  - To skip to a track, press **◀◀ / ▶▶**.
  - To search during play, press and hold **◀◀ / ▶▶**, then release to resume normal play.
  - To go back to the previous iPod/iPhone menu, press **MENU**.
  - To scroll through the menu, press **▲ / ▼**.
  - To confirm a selection, press **OK**.

---

## Remove the iPod/iPhone/iPad

Pull the iPod/iPhone/iPad out of the dock.

---

## Charge the iPod/iPhone/iPad

### Note

- iPod with color display, iPod classic, and iPod with video are not compatible with dock charging.

When the unit is connected to power, the docked iPod/iPhone/iPad begins to charge.

### Tip

- For certain iPod models, it may take up to a minute before the charging indication appears.

---

## Play options

---

### Pause/resume play

During play, press **▶||** to pause or resume play.

---

### Repeat/shuffle play

- 1 During play, press **MODE/SCAN** repeatedly to select a repeat option or the shuffle play mode:
  - **▶ONE** : play the current track repeatedly.
  - **▶ALB** : play all tracks in this album repeatedly.
  - **▶ALL** : play all tracks repeatedly.
  - **▶SHUF** : play all tracks randomly.
- 2 To resume normal play, press **MODE/SCAN** repeatedly until no option is displayed.

---

### Skip to a track

For CD:

Press **◀◀ / ▶▶** to select another track.

For MP3 disc and USB:

- 1 Press **▲ / ▼** to select an album or a folder.
- 2 Press **◀◀ / ▶▶** to select a track or file.

### Tip

- To select a track directly, you can also press a key on the numerical keypad.

---

### Search within a track

- 1 During play, press and hold **◀◀ / ▶▶**.
- 2 Release to resume normal play.

---

## Program tracks

You can program a maximum of 20 tracks.

- 1 In CD/USB mode, press **■** to stop playback, then press **PROG** to activate the programming mode.  
↳ **[PROG]** (program) is displayed.
- 2 For MP3/WMA tracks, press **▲** / **▼** to select an album.
- 3 Press **◀◀** / **▶▶** to select a track, then press **PROG** to confirm.
- 4 Repeat steps 2 to 3 to program more tracks.
- 5 Press **▶▶** to play the programmed tracks.  
↳ During play, **[PROG]** (program) is displayed.
  - To erase the program, when playback is stopped, press **■**.

---

## Adjust sound

During play, you can adjust volume and select sound effects.

Function	Action
To increase/decrease volume	Press <b>VOL +/-</b> .
To mute/restore sound	Press <b>⏸</b> .
To turn dynamic bass enhancement on/off	Press <b>DBB</b> .
To select a sound effect:	Press <b>DSC</b> repeatedly.
<b>[POP]</b> (pop)	
<b>[JAZZ]</b> (jazz)	
<b>[CLASSIC]</b> (classic)	
<b>[ROCK]</b> (rock)	
<b>[FLAT]</b> (flat)	

---

## Display different information

During play, press **DISPLAY** repeatedly to view time and different play information.

# 5 Listen to DAB+ radio

Digital Audio Broadcasting (DAB+) is a way of broadcasting radio digitally through a network of transmitters. It provides you with more choice, better sound quality and more information.

---

## Tune to DAB+ radio stations

### Note

- Make sure that the antenna is fully extended.

- 1 Press **DAB/FM** repeatedly to select DAB+ radio.  
↳ **[FULL SCAN]** (full scan) is displayed.
- 2 Press **OK** to start full scan.  
↳ The unit stores all the DAB+ radio stations automatically and then broadcasts the first available station.  
↳ The station list is memorized in the unit. Next time when you turn on the unit, the station scan does not take place.

### Note

- If no DAB+ radio station is found, **[No DAB Station]** (no DAB+ station) is displayed, then **[FULL SCAN]** (full scan) is displayed again.

To tune to a station from the available station list:

- 1 In DAB+ mode, press **◀◀** / **▶▶** repeatedly to navigate through the available DAB+ stations.
- 2 Press **OK** to confirm the selection.

---

## Store DAB+ radio stations automatically

### Note

- New stations and services will be added in DAB+ broadcast from time to time. To make new DAB+ stations and services available, perform full scan regularly.

In DAB+ mode, press **SCAN**.

- ↳ The unit scans and stores all the available DAB+ radio stations and broadcasts the first available station.

---

## Store DAB+ radio stations manually

### Note

- You can store a maximum of 20 preset DAB+ radio stations.

- 1 Tune to a DAB+ radio station.
- 2 Press and hold **PROG** for 3 seconds to activate the storing mode.
- 3 Press **▲** / **▼** to select a preset number.
- 4 Press **PROG** to confirm.
- 5 Repeat the above steps to store other DAB+ stations.

### Note

- To remove a pre-stored DAB+ radio station, store another station in its place.

---

## Select a preset DAB+ radio station

In DAB+ mode, press **▲** / **▼** to select a preset channel number.

---

## Show DAB+ information

While listening to DAB+ radio, press **DISPLAY** repeatedly to scroll through the following information (if available):

- ↳ Station name
- ↳ Dynamic Label Segment (DLS)
- ↳ Signal strength
- ↳ Program type (PTY)
- ↳ Ensemble Name
- ↳ Channel and frequency
- ↳ Signal error rate
- ↳ Bit rate and audio status
- ↳ Date

---

## Use DAB+ menu

- 1 In DAB+ mode, press **MENU** to access DAB+ menu.
- 2 Press **◀◀** / **▶▶** to scroll the menu options:
  - **[Station list]**: tune to a DAB+ radio station from a list of available DAB+ stations, or scan DAB+ stations if no station is stored in the list.
  - **[Full scan]**: scan and store all the available DAB+ radio stations.
  - **[Manual tune]**: tune to a DAB+ station manually.
  - **[Prune]**: remove all the invalid stations from the station list.
  - **[System]**: adjust system settings.
- 3 To select an option, press **OK**.
- 4 If a sub-option is available, repeat step 2 and step 3.

### **[System]**

- **[Factory Reset]**: reset all the settings to factory default.
- **[Software Upgrade]**: update software if available.
- **[SW version]**: know the software version of the unit.

### Note

- If no button is pressed within 10 seconds, the menu exits.

## 6 Listen to FM radio

### Tune to FM radio stations

#### Note

- Position the antenna as far as possible from TV, VCR, or other radiation source.
- Make sure that you have connected and fully extended the supplied FM antenna.

- 1 Press **FM** to select FM tuner mode.
- 2 Press and hold **◀◀ / ▶▶** for 3 seconds.  
↳ **[Scanning]** (scanning) is displayed.  
↳ The unit tunes to an FM station with strong reception automatically.
- 3 Repeat step 2 to tune to more stations.

#### To tune to a station with weak signal:

Press **◀◀ / ▶▶** repeatedly until you find optimal reception.

### Store FM radio stations automatically

#### Note

- You can program a maximum of 20 preset FM radio stations.

In FM tuner mode, press and hold **MODE/SCAN** for 3 seconds.

- ↳ The unit stores all the FM radio stations automatically and then broadcasts the first preset radio station.

### Store FM radio stations manually

- 1 In tuner mode, tune to an FM radio station.
- 2 Press **PROG** to activate programming mode.  
↳ **[PROG]** (program) blinks.
- 3 Press **▲ / ▼** repeatedly to select a channel number.
- 4 Press **PROG** again to confirm.
- 5 Repeat steps 1-4 to store other FM stations.

#### Note

- To remove a pre-stored station, store another station in its place.

### Select a preset radio station

In tuner mode, press **▲ / ▼** or the numeric buttons to select a preset number.

### Select stereo/mono broadcast

#### Note

- Stereo broadcast is the default setting for tuner mode.
- For stations with weak signals: to improve the reception, change to monaural sound.

In FM tuner mode, press **OK** to switch between mono and stereo broadcast.

---

## Use FM menu

- 1 In FM mode, press **MENU** to access FM menu.
- 2 Press **◀◀** / **▶▶** repeatedly to scroll the menu options:
  - **[Scan setting]**
  - **[Audio setting]**
  - **[System]**
- 3 To select an option, press **OK**.
- 4 Repeat steps 2-3 if sub-option is available under one option.

### Scan setting

- **[Strong stations only]**: scan FM stations with strong signals only.
- **[All stations]**: scan all the available FM radio stations.

### Audio setting

- **[Stereo allowed]**: select stereo broadcast.
- **[Forced mono]**: select mono broadcast.

# 7 Other features

---

## Adjust system settings

- 1 In FM/DAB+ mode, when **[System]** menu is displayed, press **◀◀** / **▶▶** repeatedly to select an option.
- 2 Press **OK** to confirm the selection.

<b>[Factory Reset]</b>	<b>[Yes]</b>	Reset all the settings to the default settings made at the factory.
	<b>[No]</b>	Cancel.
<b>[SW version]</b>		Display software version.
<b>[Software Upgrade]</b>	<b>[Yes]</b>	Select to update software.
	<b>[No]</b>	Cancel.

---

## Update software (if available)

Software upgrade for your micro system may be available in future. If you register your product at Philips website ([www.philips.com/welcome](http://www.philips.com/welcome)) with a valid email address, you may receive software update notification. Or you can visit Philips website constantly to check if the updating information is provided.


### Register your product

- 1 Go to [www.philips.com/welcome](http://www.philips.com/welcome).
- 2 Click the link of "**Register my product**" (the exact wording of this link name may vary in different languages).
- 3 Log in with your account on the prompt Web page.
  - If you have no account for Club Philips, create one first on this Web page.
- 4 Search your product with "**DCB2070**" as the keywords.

- 5 Click the link of search results to access the Web page for registering your product.
- 6 Fill in necessary information about this product to complete the registration.

### Update software via USB port

To upgrade the software of your micro system, follow these steps strictly:

- 1 Go to [www.philips.com/welcome](http://www.philips.com/welcome).
- 2 Log in with your account for Club Philips.
  - ↳ Support information about your registered product is displayed.
- 3 Check the latest software version.
- 4 Download the latest software to your computer, then connect this unit to PC via  (USB) socket.
- 5 In DAB+ mode, press **MENU**.
- 6 Select **[SYSTEM]** (system) > **[Upgrade? Yes]** (upgrade? yes).
  - ↳ A confirmation message is displayed.
- 7 Select **[Yes]** to go to the upgrade stage.
  - To select an option, press **◀◀ / ▶▶**; to confirm a selection, press **OK**.
- 8 When the upgrade is complete, the unit will be restarted.

#### Note

- If you select to update software without downloading the latest software or connecting to PC via USB port, you need power off and restart the unit.
- If upgrade is interrupted by accident, you must restart the unit and reinstall the software, otherwise your unit cannot work normally.

## Set the alarm timer

This unit can be used as an alarm timer. You can select CD, FM tuner, iPod/iPhone/iPad, DAB, or USB as alarm source.

#### Note

- Make sure that you have set the clock correctly.

- 1 In standby mode, press and hold **TIMER** until **[SET TIMER]** (set timer) scrolls on the display.
  - ↳ **[SELECT SOURCE]** (select source) is displayed.
- 2 Press **SOURCE** repeatedly or the source selection buttons on the remote control to select a source: disc, FM tuner, iPod/iPhone/iPad, DAB+, or USB.
- 3 Press **TIMER** to confirm.
  - ↳ The hour digits blink.
- 4 Press **◀◀ / ▶▶** repeatedly to set the hour.
- 5 Press **TIMER** to confirm.
  - ↳ The minute digits blink.
- 6 Repeat steps 4-5 to set the minute.
- 7 Press **◀◀ / ▶▶** to select the volume of the alarm sound, then press **TIMER** to confirm.

#### Note

- If the system is idle for 90 seconds, the unit exits alarm setting mode automatically.
- If iPod/iPhone/iPad is selected as alarm source, and you have created a playlist called "PHILIPS" in iTunes and import it to your iPod/iPhone/iPad, you will wake to a random track in the playlist.
- If no "PHILIPS" playlist is created in the iPod/iPhone/iPad or no track is stored in the playlist, you will wake to your last listened track in the iPod/iPhone/iPad.

### To activate or deactivate the alarm timer

In standby mode, press **TIMER** repeatedly to activate or deactivate the alarm.

↳  appears when the timer is activated.

#### Tip

- If CD/USB/dock/DAB+ radio is selected as alarm source and the audio cannot be played, FM tuner is activated automatically.



---

## Set the sleep timer

### Note

- Make sure that you have set the clock correctly.

When the unit is turned on, press **SLEEP** repeatedly to select the sleep timer period (in minutes).

↳ When sleep timer is activated, **zZ** is displayed.

### To deactivate the sleep timer

Press **SLEEP** repeatedly until **[OFF]** (off) is displayed.

---

## Play from external audio device

With this unit, you can play audio from an external audio device like MP3 player.

- 1 Connect the supplied MP3 Link cable to
  - the **MP3-LINK** socket.
  - the headphone socket of an external device.
- 2 Press **USB/MP3 LINK** repeatedly to select MP3 link mode.
- 3 Play the external device (see the device's user manual).

---

## Listen through the headphone

Plug a headphone into the  socket on the unit.

# 8 Product information

### Note

- Product information is subject to change without prior notice.

---

## Specifications

---

### Amplifier

Rated Output Power	2 X 10 W RMS
Frequency Response	80 Hz - 16 kHz, ± 3 dB
Signal to Noise Ratio	≥60 dB
MP3 Link Input	0.5 V RMS 20 kohm

---

### Disc

Laser Type	Semiconductor
Disc Diameter	12 cm/8 cm
Support Disc	CD-DA, CD-R, CD-RW, MP3-CD, WMA-CD
Audio DAC	24 Bits/44.1 kHz
Total Harmonic Distortion	<1.5 % (1 kHz)
Frequency Response	60 Hz - 16 kHz
S/N Ratio	>55 dBA

---

### Tuner (FM)

Tuning Range	FM: 87.5 - 108 MHz DAB+: 174.92 - 239.20 MHz
Tuning grid	50 KHz

Sensitivity	
- Mono, 26dB S/N	<22 dBf
Ratio	
- Stereo, 46dB S/N	<43 dBf
Search Selectivity	>28 dBf
Total Harmonic Distortion	<3%
Signal to Noise Ratio	>50 dB
Number of presets	20 (FM) 20 (DAB+)

## General information

AC power	Model: AS360-120-AM300; Input: 100 - 240 V ~, 50/60 Hz, 1.2 A; Output: 12 V = 3 A
Operation Power Consumption	30 W
Standby Power Consumption	≤1 W
Dimensions	
- Main Unit (W × H × D)	400 × 235 × 98 mm
Weight (Main Unit)	2.2 kg

## USB playability information

### Compatible USB devices:

- USB flash memory (USB1.1)
- USB flash players (USB1.1)
- memory cards (requires an additional card reader to work with this unit)

### Supported formats:

- USB or memory file format: FAT12, FAT16, FAT32 (sector size: 512 bytes)
- MP3 bit rate (data rate): 32-320 Kbps and variable bit rate
- WMA v9 or earlier
- Directory nesting up to a maximum of 8 levels

- Number of albums/ folders: maximum 99
- Number of tracks/titles: maximum 999
- ID3 tag v2.0 or later
- File name in Unicode UTF8 (maximum length: 16 bytes)

### Unsupported formats:

- Empty albums: an empty album is an album that does not contain MP3/WMA files, and is not be shown in the display.
- Unsupported file formats are skipped. For example, Word documents (.doc) or MP3 files with extension .dlf are ignored and not played.
- AAC, WAV, PCM audio files
- DRM protected WMA files (.wav, .m4a, .m4p, .mp4, .aac)
- WMA files in Lossless format

## Supported MP3 disc formats

- ISO9660, Joliet
- Maximum title number: 999 (depending on file name length)
- Maximum album number: 99
- Supported sampling frequencies: 32 kHz, 44.1 kHz, 48 kHz
- Supported Bit-rates: 32~320 (kbps), variable bit rates

# 9 Troubleshooting



## Warning

- Never remove the casing of this apparatus.

To keep the warranty valid, never try to repair the system yourself.

If you encounter problems when using this apparatus, check the following points before requesting service. If the problem remains unsolved, go to the Philips web site ([www.philips.com/support](http://www.philips.com/support)). When you contact Philips, ensure that the apparatus is nearby and the model number and serial number are available.

### No power

- Ensure that the AC power plug of the unit is connected properly.
- Ensure that there is power at the AC outlet.
- To save power, the system switches off automatically 15 minutes after track play reaches the end and no control is operated.

### No sound or poor sound

- Adjust the volume.
- Disconnect the headphones.

### No response from the unit

- Disconnect and reconnect the AC power plug, then turn on the unit again.
- As a power-saving feature, the system switches off automatically 15 minutes after track play reaches the end and no control is operated.

### Remote control does not work

- Before you press any function button, first select the correct source with the remote control instead of the main unit.
- Reduce the distance between the remote control and the unit.
- Insert the battery with its polarities (+/- signs) aligned as indicated.
- Replace the battery.

- Aim the remote control directly at the sensor on the front of the unit.

### No disc detected

- Insert a disc.
- Check if the disc is inserted upside down.
- Wait until the moisture condensation at the lens has cleared.
- Replace or clean the disc.
- Use a finalized CD or correct format disc.

### Cannot display some files in USB device

- The number of folders or files in the USB device has exceeded a certain limit. This phenomenon is not a malfunction.
- The formats of these files are not supported.

### USB device not supported

- The USB device is incompatible with the unit. Try another one.

### Poor radio reception

- Increase the distance between the unit and your TV or VCR.
- Fully extend the FM antenna.

### Timer does not work

- Set the clock correctly.
- Switch on the timer.

### Clock/timer setting erased

- Power has been interrupted or the power cord has been disconnected.
- Reset the clock/timer.

# 10 Notice

Any changes or modifications made to this device that are not expressly approved by Philips Consumer Lifestyle may void the user's authority to operate the equipment.



This product complies with the radio interference requirements of the European Community.



Your product is designed and manufactured with high quality materials and components, which can be recycled and reused.



When this crossed-out wheeled bin symbol is attached to a product it means that the product is covered by the European Directive 2002/96/EC. Please inform yourself about the local separate collection system for electrical and electronic products. Please act according to your local rules and do not dispose of your old products with your normal household waste. Correct disposal of your old product helps to prevent potential negative consequences for the environment and human health.



Your product contains batteries covered by the European Directive 2006/66/EC, which cannot be disposed with normal household waste. Please inform yourself about the local rules on separate collection of batteries because correct disposal helps to prevent negative consequences for the environmental and human health.

## Environmental information

All unnecessary packaging has been omitted. We have tried to make the packaging easy to separate into three materials: cardboard (box), polystyrene foam (buffer) and polyethylene (bags, protective foam sheet.)

Your system consists of materials which can be recycled and reused if disassembled by a specialized company. Please observe the local regulations regarding the disposal of packaging materials, exhausted batteries and old equipment.

Made for



iPod



iPhone



iPad

"Made for iPod," "Made for iPhone," and "Made for iPad" mean that an electronic accessory has been designed to connect specifically to iPod, iPhone, or iPad, respectively, and has been certified by the developer to meet Apple performance standards. Apple is not responsible for the operation of this device or its compliance with safety and regulatory standards. Please note that the use of this accessory with iPod, iPhone, or iPad may affect wireless performance.

iPod and iPhone are trademarks of Apple Inc., registered in the U.S. and other countries. iPad is a trademark of Apple Inc.

**This apparatus includes this label:**



**Be responsible  
Respect copyrights**

The making of unauthorized copies of copy-protected material, including computer programs, files, broadcasts and sound recordings, may be an infringement of copyrights and constitute a criminal offence. This equipment should not be used for such purposes.

## Philips Electronics Australia Limited and Philips New Zealand Limited Warranty against Defects

In this warranty:

**We or us** means Philips Electronics Australia Limited ACN 008 445 743 or Philips New Zealand Limited (Company Number 1723), and our contact details are set out at the end of this warranty;

**You** means the purchaser or the original end-user of the Goods;

**Supplier** means the authorised distributor or retailer of the Goods that sold you the Goods in Australia or New Zealand; and

**Goods** means the product or equipment which was accompanied by this warranty and purchased in Australia or New Zealand.

If you require assistance with the operation of the product, its features or specifications please call the Philips Consumer Care Centre on 1300 363 391 in Australia or 0800 658 224 in New Zealand.

**Australia:** Our Goods come with guarantees that cannot be excluded under the Australian Consumer Law. You are entitled to a replacement or refund for a major failure and for compensation for any other reasonably foreseeable loss or damage. You are also entitled to have the Goods repaired or replaced if the goods fail to be of acceptable quality and the failure does not amount to a major failure. This is not a complete statement of your legal rights as a consumer.

**New Zealand:** Our Goods come with guarantees that cannot be excluded under the Consumer Guarantees Act 1993. This guarantee applies in addition to the conditions and guarantees implied by that legislation.

### Additional Warranty:

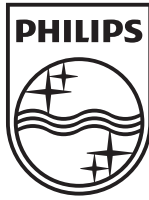
In addition to the rights and remedies that you have under the Australian Consumer Law, Consumer Guarantees Act of New Zealand or any other applicable law, we provide the following warranty against defects:

1. If, during the first 12 months from their date of purchase from the Supplier (**Warranty Period**), the Goods prove defective by reason of improper workmanship or materials and none of your statutory rights or remedies apply, we will repair or replace the Goods without charge.
2. We do not have to repair or replace the Goods under this Additional Warranty if the Goods have been used for a commercial purpose; misused, improperly or inappropriately installed, operated or repaired; abused; damaged; or not maintained in accordance with the manufacturer's instructions.
3. Even when we do not have to repair or replace the Goods, we may decide to do so anyway. In some cases, we may decide to substitute the Goods with a similar alternative product of our choosing. All such decisions are at our absolute discretion.
4. All such repaired, replaced or substituted Goods continue to receive the benefit of this Additional Warranty for the time remaining on the original Warranty Period.
5. This Additional Warranty is limited to repair, replacement or substitution only. As far as the law permits, we will not be liable for any loss or damage caused to property or persons arising from any cause whatsoever.
6. In order to claim under this Additional Warranty you must telephone us on 1300 363 391 in Australia or 0800 658 224 in New Zealand within the Warranty Period. You will be asked for details of the Goods, a description of the defect and your personal details. Upon accepting your claim, we shall assist you with either returning the Goods to the Supplier for replacement or to the most convenient Philips Authorised Service Centre for your Goods to be repaired. In some case we may require that you return to the Goods to us (at the address below) for repair, replacement or substitution.
  - \* All returned Goods must be accompanied by satisfactory proof of purchase which clearly indicates the name and address of the Supplier, the date and place of purchase and identifies product. It is best to provide a legible and unmodified receipt or sales invoice.
  - \* You must bear any expense for return of the Goods or otherwise associated with making your claim under this Additional Warranty.
7. This warranty is only valid and enforceable in Australia and New Zealand.

Contact us or the place of purchase for further details.

Philips Electronics Australia Limited  
Level 1, 65 Epping Rd,  
North Ryde, SYDNEY NSW 2113  
**Consumer Care:** 1300 363 391  
**E-mail:** [pceinfo.australia@philips.com](mailto:pceinfo.australia@philips.com)  
**Website:** [www.philips.com/support](http://www.philips.com/support)

Philips New Zealand Limited  
Level 2, 1 Nugent St,  
Grafton, AUCKLAND, 1023  
**Consumer Care:** 0800 658 224  
**Email:** [pceinfo.australia@philips.com](mailto:pceinfo.australia@philips.com)  
**Website:** [www.philips.com/support](http://www.philips.com/support)



Specifications are subject to change without notice  
© 2012 Koninklijke Philips Electronics N.V.  
All rights reserved.

DCB2070\_79\_UM\_V1.0

