

Quick Start Guide



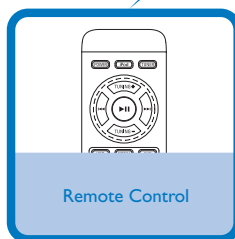
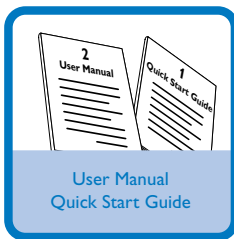
Step A *Connect*

Step B *Setup*

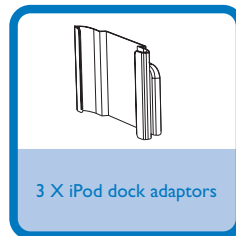
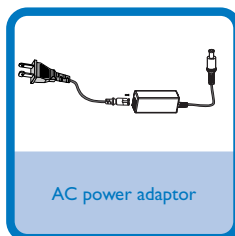
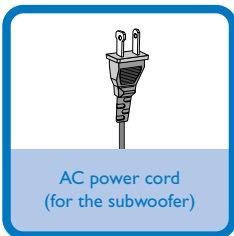
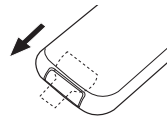
Step C *Enjoy*

What's in the Box?

You should find these items upon opening the box.



Pull out the plastic protective sheet before use.



PHILIPS

Step A *Connect*

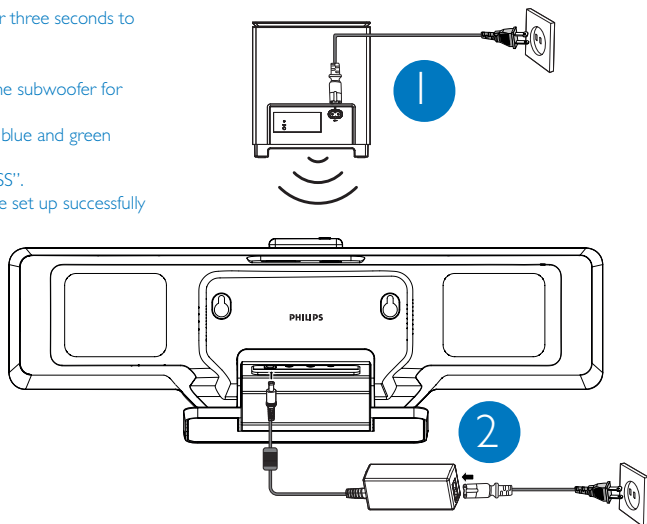
- 1 Connect the AC power cord of the subwoofer to the AC outlet.
- 2 Connect the AC power adaptor of the system.

In case the wireless connection fails due to conflict or strong interference etc., you may need the following procedures for manual pairing:

- 1 In standby mode, press and hold **▶▶** on the set for three seconds to activate signal transmitting.
→ "PAIR" flashes on the display screen.
- 2 Press and hold the **PAIR** button on the rear of the subwoofer for three seconds to activate signal receiving.
→ The LED indicator on the subwoofer flashes in blue and green alternatively.
- 3 If the connection succeeds, the display shows "PASS".
- 4 If the connection fails or the connection cannot be set up successfully within 60 seconds, the display shows "FAIL".

Tip

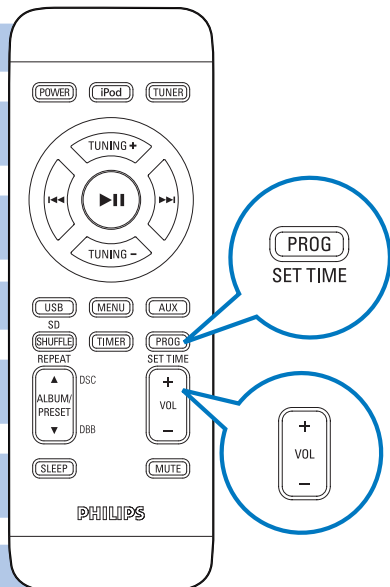
- See the *User Manual* for how to connect other equipment to this system.
- Use the supplied AC power adaptor only! Using any other power connection device may damage your main set!



Step B *Setup*

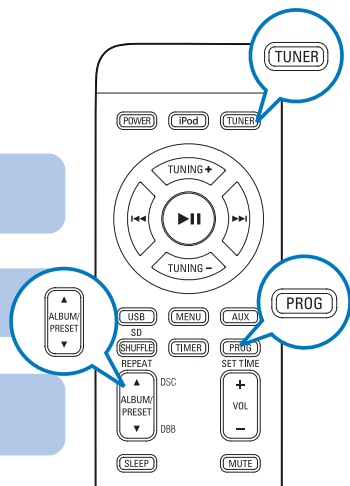
Setting the clock

- 1 In standby mode, press and hold **PROG/SET TIME** on the remote control.
- 2 Press **VOLUME +/-** (or **VOL +/-** on the remote control) to switch between 12 hour and 24 hour display.
- 3 Press **PROG/SET TIME** on the remote control again to confirm.
→ The clock digits flash on the display panel.
- 4 Press **VOLUME +/-** (or **VOL +/-** on the remote control) to set the hours.
- 5 Press **PROG/SET TIME** on the remote control again.
→ The clock digits for the minutes flash.
- 6 Press **VOLUME +/-** (or **VOL +/-** on the remote control) to set the minutes.
- 7 Press **PROG/SET TIME** on the remote control to confirm the time.



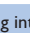
Programming and tuning to radio stations

- 1 Press **SOURCE** repeatedly (or **TUNER** on the remote control) to select the tuner source (FM).
- 2 Press **PROG** for more than two seconds to program all available stations in order of waveband.
- 3 Press **PRESET +/-** (or **ALBUM/PRESET ▲ / ▼** on the remote control) until the desired preset station is displayed.



Playing a USB mass storage device/SD/MMC card

With the Hi-Fi system, you can use USB flash memory (USB 2.0 or USB1.1), USB flash players (USB 2.0 or USB1.1) and memory cards

- 1 Insert the USB device's USB plug into the socket  or fully insert the SD/MMC card into the SD/MMC slot on the top of the system.
- 2 Press **SOURCE** once or more (or **USB/CARD** on the remote control) to select **USB/CARD**.
- 3 Play the available audio files using playback buttons on the set or remote control (such as **▶▶**, **◀◀▶▶▶▶**).

Playing Apple iPod using DC912

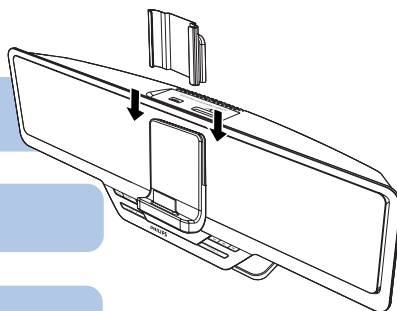
1 Select the correct dock adaptor, as indicated on each adaptor, then fit it in the dock.

2 Correctly place the compatible iPod player into the dock.

3 Press **SOURCE** on the system repeatedly or **iPod** on the remote control to select the iPod source.

4 Power on your iPod player.

5 Select and play your favourite songs stored in the iPod player.



Tip

Detailed playback features and additional functions are described in the accompany owner's manual.

Notes for remote control:

- First select the source you wish to control by pressing one of the source select keys on the remote control (for example iPod, TUNER).
- Then select the desired function (for example ► ||, ◀◀, ▶▶).

