

Register your product and get support at
www.philips.com/welcome

DC291



EN	User manual	3
KO	사용 설명서	19
ZH-HK	使用手冊	35

PHILIPS

Contents

1	Important	4
	Safety	4
	Notice	5

2	Your Docking Entertainment System	6
	Introduction	6
	What's in the box	6
	Overview of the main unit	7
	Overview of the remote control	8

3	Get started	9
	Install batteries	9
	Connect power	10
	Set time and date	10
	Turn on	11

4	Play	11
	Play from iPod/iPhone/iPad	11
	Play from an external device	12

5	Listen to radio	13
	Tune to a radio station	13
	Program radio stations automatically	13
	Program radio stations manually	13
	Select a preset radio station	13

6	Other features	14
	Set the alarm timer	14
	Set the sleep timer	15
	Adjust display brightness	15

7	Adjust sound	15
	Adjust volume level	15
	Mute sound	15
	Select a preset sound effect	15
	Enhance bass	15

8	Product information	16
	Specifications	16

9	Troubleshooting	17
----------	------------------------	-----------

1 Important

Safety

Important Safety Instructions

- ① Read these instructions.
- ② Keep these instructions.
- ③ Heed all warnings.
- ④ Follow all instructions.
- ⑤ Do not use this apparatus near water.
- ⑥ Clean only with dry cloth.
- ⑦ Do not block any ventilation openings. Install in accordance with the manufacturer's instructions.
- ⑧ Do not install near any heat sources such as radiators, heat registers, stoves, or other apparatus (including amplifiers) that produce heat.
- ⑨ Protect the power cord from being walked on or pinched, particularly at plugs, convenience receptacles, and the point where they exit from the apparatus.
- ⑩ Only use attachments/accessories specified by the manufacturer.
- ⑪ Use only with the cart, stand, tripod, bracket, or table specified by the manufacturer or sold with the apparatus. When a cart is used, use caution when moving the cart/apparatus combination to avoid injury from tip-over.
- ⑫ Unplug this apparatus during lightning storms or when unused for long periods of time.
- ⑬ Refer all servicing to qualified service personnel. Servicing is required when the apparatus has been damaged in any way, such as power-supply cord or plug is damaged, liquid has been spilled or objects have fallen into the apparatus, the apparatus has been exposed to rain or moisture, does not operate normally, or has been dropped.
- ⑭ **Battery usage CAUTION – To prevent battery leakage which may result in bodily injury, property damage, or damage to the unit:**
 - Install all batteries correctly, + and - as marked on the unit.
 - Do not mix batteries (old and new or carbon and alkaline, etc.).
 - Remove batteries when the unit is not used for a long time.
 - Batteries (battery pack or batteries installed) shall not be exposed to excessive heat such as sunshine, fire or the like.
- ⑮ **Apparatus shall not be exposed to dripping or splashing.**
- ⑯ Do not place any sources of danger on the apparatus (e.g. liquid filled objects, lighted candles).
- ⑰ Where the MAINS plug or an appliance coupler is used as the disconnect device, the disconnect device shall remain readily operable.



Hearing safety

Listen at a moderate volume.

- Using headphones at a high volume can impair your hearing. This product can produce sounds in decibel ranges that may cause hearing loss for a normal person, even for exposure less than a

minute. The higher decibel ranges are offered for those that may have already experienced some hearing loss.

- Sound can be deceiving. Over time your hearing 'comfort level' adapts to higher volumes of sound. So after prolonged listening, what sounds 'normal' can actually be loud and harmful to your hearing. To guard against this, set your volume to a safe level before your hearing adapts and leave it there.

To establish a safe volume level:

- Set your volume control at a low setting.
- Slowly increase the sound until you can hear it comfortably and clearly, without distortion.

Listen for reasonable periods of time:

- Prolonged exposure to sound, even at normally 'safe' levels, can also cause hearing loss.
- Be sure to use your equipment reasonably and take appropriate breaks.

Be sure to observe the following guidelines when using your headphones.

- Listen at reasonable volumes for reasonable periods of time.
- Be careful not to adjust the volume as your hearing adapts.
- Do not turn up the volume so high that you can't hear what's around you.
- You should use caution or temporarily discontinue use in potentially hazardous situations. Do not use headphones while operating a motorized vehicle, cycling, skateboarding, etc.; it may create a traffic hazard and is illegal in many areas.



Warning

- Never remove the casing of this apparatus.
- Never lubricate any part of this apparatus.
- Never place this apparatus on other electrical equipment.
- Keep this apparatus away from direct sunlight, naked flames or heat.
- Ensure that you always have easy access to the power cord, plug or adaptor to disconnect the apparatus from the power.

Notice



This product complies with the radio interference requirements of the European Community.

Any changes or modifications made to this device that are not expressly approved by WOOX Innovations may void the user's authority to operate the equipment.



Your product is designed and manufactured with high quality materials and components, which can be recycled and reused.



When this crossed-out wheeled bin symbol is attached to a product it means that the product is covered by the European Directive 2002/96/EC.

Please inform yourself about the local separate collection system for electrical and electronic products.

Please act according to your local rules and do not dispose of your old products with your normal household waste. Correct disposal of your old product helps to prevent potential negative consequences for the environment and human health.



Your product contains batteries covered by the European Directive 2006/66/EC, which cannot be disposed with normal household waste. Please inform yourself about the local rules on separate collection of batteries because correct disposal helps to prevent

negative consequences for the environmental and human health.

Environmental information

All unnecessary packaging has been omitted. We have tried to make the packaging easy to separate into three materials: cardboard (box), polystyrene foam (buffer) and polyethylene (bags, protective foam sheet.)

Your system consists of materials which can be recycled and reused if disassembled by a specialized company. Please observe the local regulations regarding the disposal of packaging materials, exhausted batteries and old equipment.



"Made for iPod," "Made for iPhone," and "Made for iPad" mean that an electronic accessory has been designed to connect specifically to iPod, iPhone, or iPad, respectively, and has been certified by the developer to meet Apple performance standards. Apple is not responsible for the operation of this device or its compliance with safety and regulatory standards. Please note that the use of this accessory with iPod, iPhone, or iPad may affect wireless performance. iPod and iPhone are trademarks of Apple Inc., registered in the U.S. and other countries. iPad is a trademark of Apple Inc.

Class II equipment symbol:



CLASS II apparatus with double insulation, and no protective earth provided.

2 Your Docking Entertainment System

Congratulations on your purchase, and welcome to Philips! To fully benefit from the support that Philips offers, register your product at www.philips.com/welcome.

Introduction

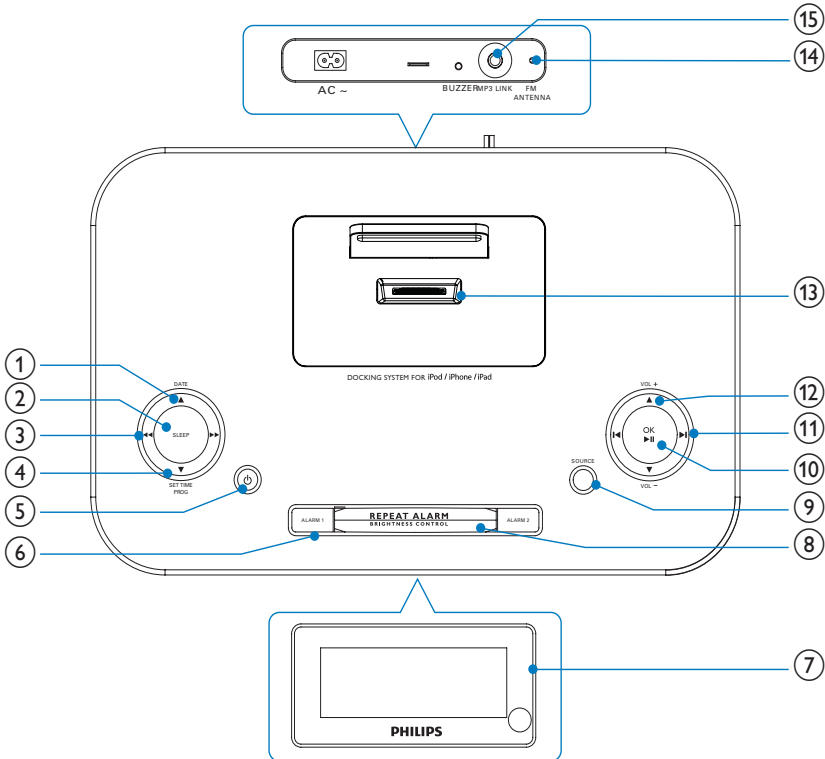
With this unit, you can enjoy audio from iPod, iPhone, iPad, radio, or other audio devices. The radio, iPod, iPhone, or iPad can be set as the alarm timer. You can set two alarm timers to go off at different time.

What's in the box

Check and identify the contents of your package:

- Main unit
- Remote control
- 1 x MP3 link cable
- User manual
- Quick start guide
- Rubber pad for iPad

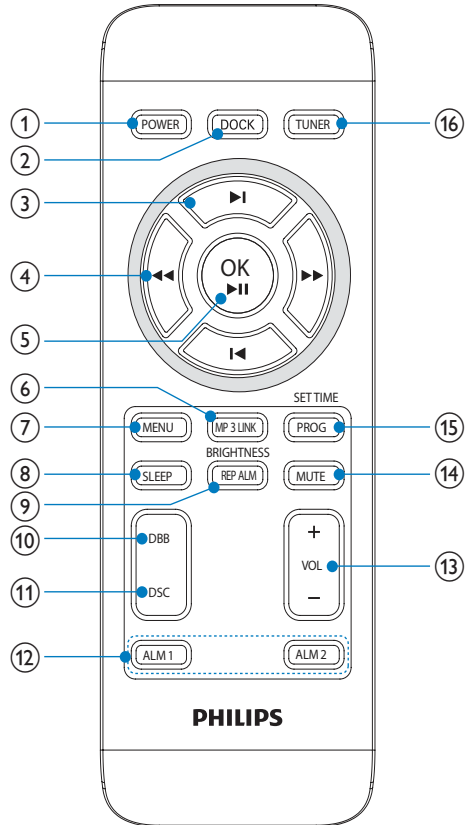
Overview of the main unit



- | | |
|---------------------------------------------------------------------------------------------------------------------------------------------------------------------------------------------------------------------------------------------------------------------------------------------------------------------------------------------------------------------------------------------------------------------------------------------------------------------------------------------------------------------------------------------------------------------------------|--------------------------------------------------------------------------------------------------------------------------------------------------------------------------------------------------------------------------------------------------------------------------------------------------------------------------------------------------------------------------------------------------------------------------------------------------------------------------------------------------------------------------------------------|
| <p>① ▲ /DATE</p> <ul style="list-style-type: none"> • View the clock time and date. <p>② SLEEP</p> <ul style="list-style-type: none"> • Set the sleep timer. <p>③ ◀▶</p> <ul style="list-style-type: none"> • Search within an audio file. • Tune to a radio station. <p>④ ▼ /SET TIME/PROG</p> <ul style="list-style-type: none"> • Set the clock and date. • Program radio stations. <p>⑤ ⏻</p> <ul style="list-style-type: none"> • Turn on the unit or switch to standby mode. | <ul style="list-style-type: none"> • Deactivate the sleep timer. • Stop alarm. <p>⑥ ALARM 1/ALARM 2'</p> <ul style="list-style-type: none"> • Set the alarm timer. • Turn off the alarm tone. • View alarm settings. <p>⑦ Display panel</p> <ul style="list-style-type: none"> • Show the current status. <p>⑧ REPEAT ALARM/BRIGHTNESS CONTROL</p> <ul style="list-style-type: none"> • Repeat the alarm. • Adjust the display brightness. |
|---------------------------------------------------------------------------------------------------------------------------------------------------------------------------------------------------------------------------------------------------------------------------------------------------------------------------------------------------------------------------------------------------------------------------------------------------------------------------------------------------------------------------------------------------------------------------------|--------------------------------------------------------------------------------------------------------------------------------------------------------------------------------------------------------------------------------------------------------------------------------------------------------------------------------------------------------------------------------------------------------------------------------------------------------------------------------------------------------------------------------------------|

- ⑨ **SOURCE**
 - Select a source: iPod/iPhone/iPad, FM tuner or MP3 link.
- ⑩ **OK/▶||**
 - Start or pause iPod/iPhone/iPad play.
 - Confirm selection.
 - Select FM stereo or FM mono.
- ⑪ **◀/▶**
 - Skip to the previous/next audio file.
 - Select a preset radio station.
 - Adjust time.
- ⑫ **VOL +/-**
 - Adjust volume.
- ⑬ **Dock for iPod/iPhone/iPad**
 - Load an iPod/iPhone/iPad.
- ⑭ **FM antenna**
 - Improve FM reception.
- ⑮ **MP3-LINK**
 - Jack for an external audio device.

Overview of the remote control



- ① **POWER**
 - Turn on the unit or switch to standby mode.
 - Stop alarm.
 - Deactivate the sleep timer.
- ② **DOCK**
 - Select iPhone/iPod/iPad source.

- ③ **⏮ / ⏭**
 - Skip to the previous/next audio file.
 - Select a preset radio station.
 - Navigate through the iPod/iPhone/iPad menu.
 - Adjust time.
- ④ **⏪ / ⏩**
 - Search within an audio file.
 - Tune to a radio station.
- ⑤ **OK / ▶||**
 - Start or pause iPod/iPhone/iPad play.
 - Confirm selection.
 - Select FM stereo or FM mono.
- ⑥ **MP3 LINK**
 - Select external audio device source.
- ⑦ **MENU**
 - Select the iPhone/iPod menu.
- ⑧ **SLEEP**
 - Set the sleep timer.
- ⑨ **BRIGHTNESS/REP ALM**
 - Adjust the display brightness.
 - Repeat the alarm.
- ⑩ **DBB**
 - Turn on or off dynamic bass enhancement.
- ⑪ **DSC**
 - Select a preset sound setting.
- ⑫ **ALM 1/ALM 2**
 - Set the alarm timer.
 - Turn off the alarm tone.
 - View alarm settings.
- ⑬ **VOL +/-**
 - Adjust volume.
- ⑭ **MUTE**
 - Mute volume.
- ⑮ **SET TIME/PROG**
 - Set the clock and date.
 - Program radio stations.
- ⑯ **TUNER**
 - Select the tuner source.

3 Get started

! Caution

- Use of controls or adjustments or performance of procedures other than herein may result in hazardous radiation exposure or other unsafe operation.

Always follow the instructions in this chapter in sequence.

If you contact Philips, you will be asked for the model and serial number of this apparatus. The model number and serial number are on the bottom of the apparatus. Write the numbers here:

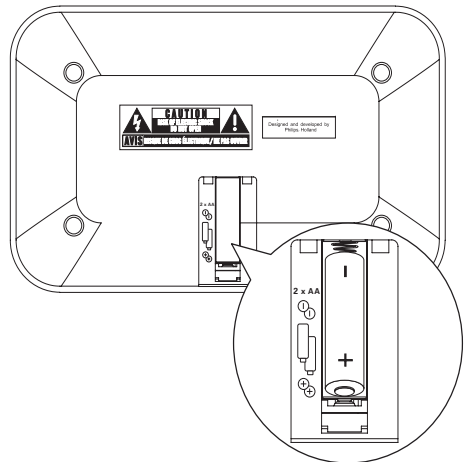
Model No. _____

Serial No. _____

Install batteries

☰ Note

- You can only use AC power as power supply. Batteries (not supplied) are for backup purpose.



- 1 Open the battery compartment.
- 2 Insert 2 x R6/UM-3/AA size batteries with correct polarity (+/-) as indicated.
- 3 Close the battery compartment.



Caution

- Remove battery if it is exhausted or will not be used for a long time.
- Batteries contain chemical substances, so they should be disposed of properly.
- Perchlorate Material-special handling may apply. See www.dtsc.ca.gov/hazardouswaste/perchlorate.



Caution

- Risk of explosion! Keep batteries away from heat, sunshine or fire. Never discard batteries in fire.



Note

- Before you press any function button on the remote control, first select the correct source with the remote control.

Connect power



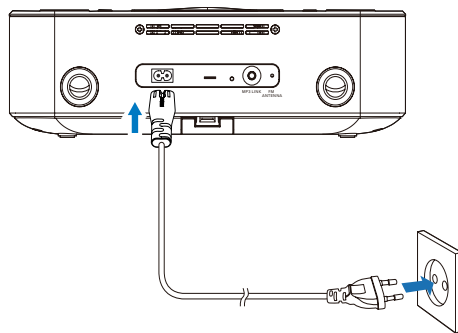
Caution

- Risk of product damage! Ensure that the power voltage corresponds to the voltage printed on the back or underside of the apparatus.
- Risk of electric shock! When you unplug the AC power cord, always pull the plug from the socket. Never pull the cord.
- Before connecting the AC power cord, ensure you have completed all other connections.



Note

- The type plate is located on the bottom of the main unit.



- 1 Connect the AC power cord to:
 - the AC ~ socket on the back of the main unit,
 - the wall outlet.

Set time and date

- 1 In standby mode, press and hold **SET TIME/PROG** for 2 seconds.
↳ The hour digits begin to blink.
- 2 Press **OK/▶||** to select the 12/24 hour format.
- 3 Press **◀/▶** to set the hour.
- 4 Press **SET TIME/PROG** to confirm.
↳ The minute digits begin to blink.
- 5 Repeat steps 3-4 to set the minute, year, month, and day.



Tip

- In 12 hour format, [MONTH--DAY] is displayed.
- In 24 hour format, [DAY--MONTH] is displayed.

Turn on

- 1 Press **POWER**.
 - ↳ The unit switches to the last selected source.

Switch to standby

- 1 Press **POWER** again to switch the unit to standby mode.
 - ↳ The time and date (if set) appear on the display panel.

4 Play

Play from iPod/iPhone/iPad

You can enjoy audio from iPod/iPhone/iPad through this unit.

Compatible iPod/iPhone/iPad

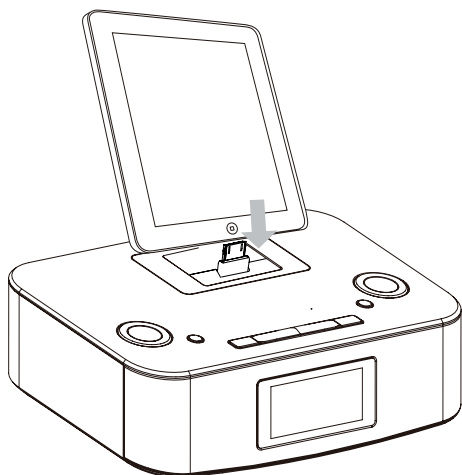
The unit supports the following iPod, iPhone, and iPad models:

Made for:

- iPod nano (1st generation)
- iPod nano (2nd generation)
- iPod nano (3rd generation)
- iPod nano (4th generation)
- iPod nano (5th generation)
- iPod nano (6th generation)
- iPod touch (1st generation)
- iPod touch (2nd generation)
- iPod touch (3rd generation)
- iPod touch (4th generation)
- iPod Mini
- iPhone
- iPhone 3G
- iPhone 3GS
- iPhone 4
- Made for iPad

Listen to the iPod/iPhone/iPad

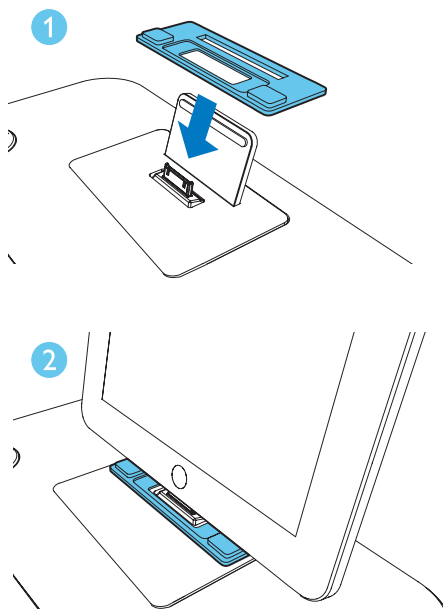
- 1 Press **DOCK** key to select dock source.
- 2 Place the iPhone/iPod/iPad into the dock.



- To pause/resume play, press **OK/▶||**.
 - To skip to a track, press **◀/▶|**.
 - To search during play, press and hold **◀◀/▶▶**, then release to resume normal play.
 - To go back to the previous iPod/iPhone menu, press **MENU**.
 - To scroll through the menu, press **◀/▶|**.
 - To confirm a selection, press **OK/▶||**.
- ↳ If no key is pressed for more than 10 seconds, **OK/▶||** acts back as the play/pause key.

Install the rubber pad

If necessary, install the supplied rubber pad to keep the iPad/iPad 2 stable before you place the iPad/iPad 2.



Charge the iPod/iPhone/iPad

Note

- iPod with color display, iPod classic, and iPod with video are not compatible with dock charging.

When the unit is connected to power, the docked iPod/iPhone/iPad begins to charge.

Tip

- For certain iPod models, it may take up to a minute before the charging indication appears.
- If clock is not manually set, when iPhone/iPod/iPad is connected, the clock radio synchronizes time from the iPhone/iPod/iPad automatically.

Play from an external device

You can also listen to an external audio device through this unit.

- 1 Press **MP3 LINK** to select the MP3 link source.
- 2 Connect the supplied MP3 link cable to:
 - the **MP3 LINK** jack (3.5mm) on the back of the unit.
 - the headphone jack on an external device.
- 3 Start to play the device (see the device user manual).

5 Listen to radio



Note

- Only FM radio reception is available on this unit.

Tune to a radio station



Tip

- Position the antenna as far as possible from TV, VCR or other radiation source.
- For optimal reception, fully extend and adjust the position of the antenna.
- **[STEREO]** is default setting for tuner mode.
- Under tuner mode, you can press **OK** repeatedly to toggle between **[STEREO]** and **[MONO]**, and the unit memorizes your setting even if you turn off the unit or turn to other sources.

- 1 Press **TUNER** to select FM tuner.
- 2 Press and hold **◀◀ / ▶▶** for more than 2 seconds.
 - ↳ **[Srch]** (search) is displayed.
 - ↳ The radio tunes to a station with strong reception automatically.
- 3 Repeat step 2 to tune to more stations.
 - To tune to a weak station, press **◀◀ / ▶▶** repeatedly until you find optimal reception.

Program radio stations automatically

You can program a maximum of 20 preset radio stations.

- 1 In the tuner mode, press and hold **SET TIME/PROG** for more than 2 seconds to activate automatic program mode.
 - ↳ [AUTO] (auto) is displayed.
 - ↳ The unit automatically stores radio stations with sufficient signal strength..
 - ↳ The first programmed radio station is broadcast automatically.

Program radio stations manually

You can program a maximum of 20 preset radio stations.

- 1 Tune to a radio station.
- 2 Press **SET TIME/PROG** to activate the program mode.
- 3 Press **◀/▶** to select a number.
- 4 Press **SET TIME/PROG** to confirm.
- 5 Repeat the above steps to program other stations.

Tip

- To overwrite a programmed station, store another station in its place.
- To select FM stereo or FM mono, press **OK**.

Select a preset radio station

- 1 Press **◀/▶** to select a preset number.

6 Other features

Set the alarm timer





You can set two alarms which go off at different time.

- 1 Ensure that you have set the clock correctly. (See "Get started - Set time and date".)
- 2 Press and hold **ALM 1** or **ALM 2** for 2 seconds.
 - ↳ [AL 1] or [AL 2] begin to blink.
- 3 Press **SOURCE** on the top panel to select an alarm sound source: iPod/iPhone/iPad, FM tuner, or buzzer.
- 4 Press **ALM 1** or **ALM 2**.
 - ↳ The hour digits begin to blink.
- 5 Press **◀/▶** repeatedly to set the hour.
- 6 Press **ALM 1** or **ALM 2** to confirm.
 - ↳ The minute digits begin to blink.
- 7 Repeat steps 5-6 to set the minute.
- 8 Repeat steps 5-6 to select whether to ring alarm the whole week, on weekdays, or at weekend.
- 9 Repeat steps 5-6 to set the alarm volume.

Tip

- If you set iPhone/iPod playlist as the sound source, you must create a playlist in iTunes called "PHILIPS" and import it to your iPhone/iPod.
- If no playlist is created in the iPod/iPhone or there is no song in the playlist, the unit will wake to songs in the iPod/iPhone.

Activate and deactivate the alarm timer



- 1 Press **ALM 1** or **ALM 2** repeatedly to activate or deactivate the timer.
 - ↳ If the timer is activated, [ AL 1] or [ AL2] is displayed.
 - ↳ If the timer is deactivated, [ AL1] or [ AL2] disappears.

Repeat alarm

- 1 When the alarm rings, press **BRIGHTNESS/REP ALM**.
 - ↳ The alarm repeats ringing minutes later.



Tip

- You can press  /  to adjust the interval to repeat alarm.

Stop alarm ring

- 1 When the alarm rings, press the corresponding **ALM 1** or **ALM 2**.
 - ↳ The alarm stops but the alarm settings remain.

View the alarm settings

- 1 Press **ALM 1** or **ALM 2**.

Set the sleep timer

This unit can switch to standby automatically after a set period of time.

- 1 Press **SLEEP** repeatedly to select a set period of time (in minutes).
 - ↳ When the sleep timer is activated, the display shows **zzz**, and the volume will gradually decrease in the last 5 minutes.

To deactivate sleep timer

- 1 Press **SLEEP** repeatedly until **[OFF]** (off) is displayed.
 - ↳ When the sleep timer is deactivated, **zzz** disappears on the display.

Adjust display brightness

- 1 Press **BRIGHTNESS/REP ALM** repeatedly to select different levels of display brightness.

7 Adjust sound

Adjust volume level

- 1 During play, press **VOL +/-** to increase/decrease the volume level.

Mute sound

- 1 During play, press **MUTE** to mute/unmute sound.

Select a preset sound effect

- 1 During play, press **DSC** repeatedly to select:
 - **[ROCK]** (rock)
 - **[JAZZ]** (jazz)
 - **[POP]** (pop)
 - **[CLASSIC]** (classic)
 - **[FLAT]** (flat)

Enhance bass

- 1 During play, press **DBB** to turn on or off dynamic bass enhancement.
 - ↳ If DBB is activated, **[DBB]** is displayed.

8 Product information



Note

- Product information is subject to change without prior notice.

Specifications

Amplifier

Rated Output Power	2 x 5 W RMS
Frequency Response	20 -20000 Hz, -3dB
Signal to Noise Ratio	>67 dB
Aux Input (MP3 link)	0.5 V RMS 20kohm

FM

Tuning Range	FM 87.5 - 108 MHz
Tuning grid	50 KHz
- Mono, 26dB S/N Ratio	<22 dBf
- Stereo, 46dB S/N Ratio	<43 dBf
Search Sensitivity	<28dBf
Total Harmonic Distortion	<2%
Signal to Noise Ratio	>55 dB

Speakers

Speaker Impedance	4 ohm
Speaker Driver	57mm
Sensitivity	>84dB/m/W

General information

AC power	100-240V, 50/60Hz
Operation Power Consumption	7.5 W
Standby Power Consumption (clock display)	<1 W
Dimensions	
- Main Unit (W x H x D)	263 x 114 x 165 mm
Weight	
- With Packing	2.4 kg
- Main Unit	1.4 kg

9 Troubleshooting



Warning

- Never remove the casing of this apparatus.

To keep the warranty valid, never try to repair the system yourself.

If you encounter problems when using this apparatus, check the following points before requesting service. If the problem remains unsolved, go to the Philips web site (www.philips.com/support). When you contact Philips, ensure that the apparatus is nearby and the model number and serial number are available.

No power

- Ensure that the AC power plug of the unit is connected properly.
- Ensure that there is power at the AC outlet.
- Ensure that the batteries are inserted correctly.

No sound

- Adjust the volume.

No response from the unit

- Disconnect and reconnect the AC power plug, then turn on the unit again.

Poor radio reception

- Increase the distance between the unit and your TV or VCR.
- Fully extend the FM antenna.

Timer does not work

- Set the clock correctly.
- Switch on the timer.

Clock/timer setting erased

- Power has been interrupted or the power plug has been disconnected.
- Reset the clock/timer.



Specifications are subject to change without notice.

2013 © WOOX Innovations Limited. All rights reserved.

Philips and the Philips' Shield Emblem are registered trademarks of Koninklijke Philips N.V. and are used by WOOX Innovations Limited under license from Koninklijke Philips N.V.

DC291_98_UM_V4.0

