

Register your product and get support at
www.philips.com/welcome

DC220/98

EN User manual

PHILIPS

Contents

1	Important	4
	Safety	4
	Notice	6

2	Your Clock Radio for iPhone/iPod	8
	Introduction	8
	What's in the box	8
	Overview of the main unit	9

3	Get started	12
	Connect power	12
	Set time and date	13
	Turn on	14

4	Play	15
	Play from iPod/iPhone	15
	Play from an external device	16

5	Listen to radio	17
	Tune to a radio station	17
	Program radio stations automatically	18
	Program radio stations manually	18
	Select a preset radio station	19

6	Other features	20
	Set the alarm timer	20
	Backup Battery Mode	22

Set the sleep timer	23
Adjust display brightness	24
<hr/>	
7 Adjust sound	25
Adjust volume level	25
Enhance bass	25
<hr/>	
8 Product information	26
Specifications	26
<hr/>	
9 Troubleshooting	28

1 Important

Safety

- ① Read these instructions.
- ② Keep these instructions.
- ③ Heed all warnings.
- ④ Follow all instructions.
- ⑤ Do not use this apparatus near water.
- ⑥ Clean only with dry cloth.
- ⑦ Do not block any ventilation openings. Install in accordance with the manufacturer's instructions.
- ⑧ Do not install near any heat sources such as radiators, heat registers, stoves, or other apparatus (including amplifiers) that produce heat.
- ⑨ Protect the power cord from being walked on or pinched, particularly at plugs, convenience receptacles, and the point where they exit from the apparatus.
- ⑩ Only use attachments/accessories specified by the manufacturer.
- ⑪ Unplug this apparatus during lightning storms or when unused for long periods of time.
- ⑫ Refer all servicing to qualified service personnel. Servicing is required when the apparatus has been damaged in any way, such as power-supply cord or plug is damaged, liquid has

been spilled or objects have fallen into the apparatus, the apparatus has been exposed to rain or moisture, does not operate normally, or has been dropped.

- ⑬ **Battery usage CAUTION – To prevent battery leakage which may result in bodily injury, property damage, or damage to the unit:**
- Install all batteries correctly, + and - as marked on the unit.
 - Do not mix batteries (old and new or carbon and alkaline, etc.).
 - Remove batteries when the unit is not used for a long time.
- ⑭ **Apparatus shall not be exposed to dripping or splashing.**
- ⑮ **Do not place any sources of danger on the apparatus (e.g. liquid filled objects, lighted candles).**
- ⑯ **Where the MAINS plug or an appliance coupler is used as the disconnect device, the disconnect device shall remain readily operable.**



Warning

- Never remove the casing of this apparatus.
- Never lubricate any part of this apparatus.
- Never place this apparatus on other electrical equipment.
- Keep this apparatus away from direct sunlight, naked flames or heat.
- Ensure that you always have easy access to the power cord, plug or adaptor to disconnect the apparatus from the power.

Notice

Any changes or modifications made to this device that are not expressly approved by Philips Consumer Lifestyle may void the user's authority to operate the equipment.



This product complies with the radio interference requirements of the European Community.



Your product is designed and manufactured with high quality materials and components, which can be recycled and reused.



When this crossed-out wheeled bin symbol is attached to a product it means that the product is covered by the European Directive 2002/96/EC.

Please inform yourself about the local separate collection system for electrical and electronic products.

Please act according to your local rules and do not dispose of your old products with your normal household waste. Correct disposal of your old product helps to prevent potential negative consequences for the environment and human health.



Your product contains batteries covered by the European Directive 2006/66/EC, which cannot be disposed with normal household waste. Please inform yourself about the local rules on separate collection of batteries because correct disposal helps to

prevent negative consequences for the environmental and human health.

Environmental information

All unnecessary packaging has been omitted. We have tried to make the packaging easy to separate into three materials: cardboard (box), polystyrene foam (buffer) and polyethylene (bags, protective foam sheet.)

Your system consists of materials which can be recycled and reused if disassembled by a specialized company. Please observe the local regulations regarding the disposal of packaging materials, exhausted batteries and old equipment.



Note

- The type plate is located on the bottom of the apparatus.

2 Your Clock Radio for iPhone/iPod

Congratulations on your purchase, and welcome to Philips! To fully benefit from the support that Philips offers, register your product at www.philips.com/welcome.

Introduction

With this unit, you can enjoy audio from the iPod, iPhone, other audio devices, or the radio.

The radio, iPod, or iPhone can be set as the alarm timer. You can set two alarm timers to go off at different time.

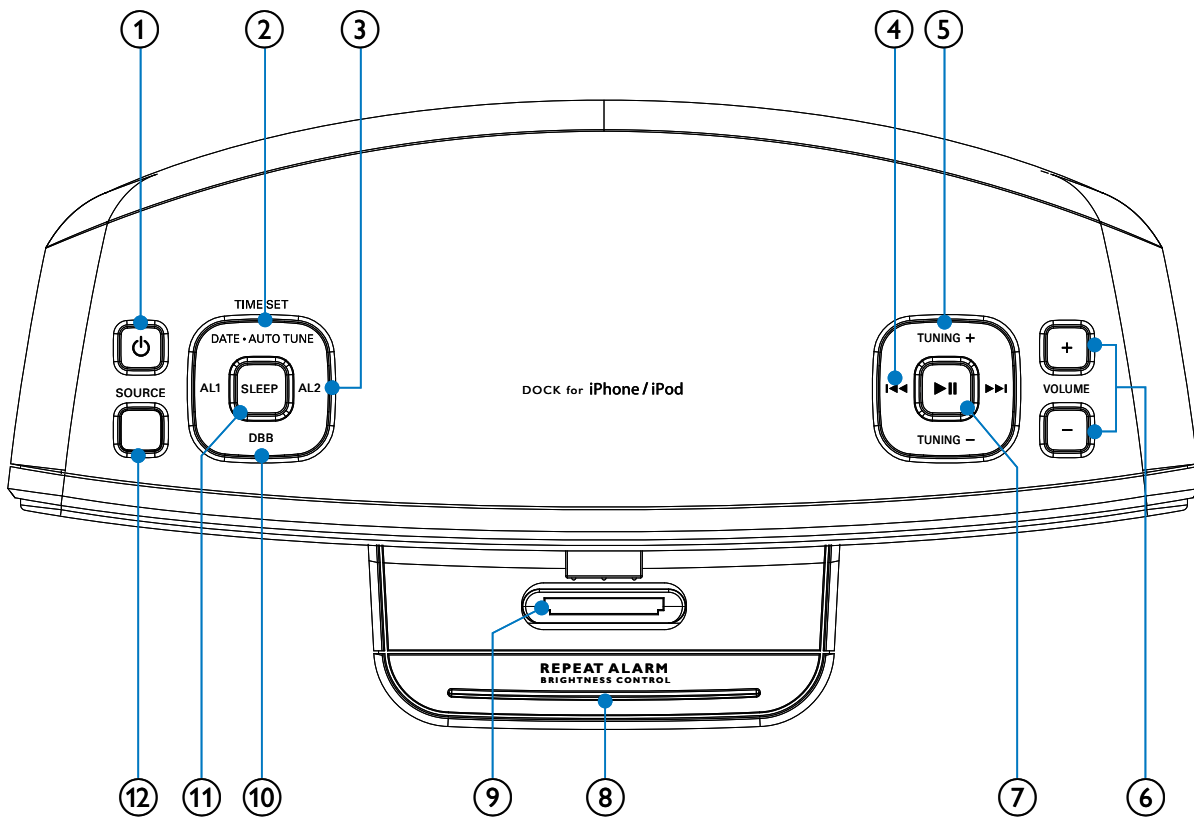
What's in the box

Check and identify the contents of your package:

- Main unit
- AC power cord
- AC power adaptor
- MP3 LINK cable
- User manual
- Quick start guide

Overview of the main unit

Top View



① POWER


- Turn on the unit or switch to standby mode.
- Deactivate the sleep timer.
- Stop alarm.

② DATE • AUTO TUNE/TIME SET

- Set the date and clock.
- Search and program radio stations automatically.


③ AL 1/AL 2

- Set the alarm timer.
- Turn off the alarm tone.
- View alarm settings.

- ④ 
 - Skip to the previous/next audio file.
 - Search within an audio file.
 - Select a preset radio station.
 - Adjust time.

- ⑤ **TUNING +/-**
 - Tune to a radio station.
 - Adjust time.

- ⑥ **VOL +/-**
 - Adjust volume.

- ⑦ 
 - Start or pause iPod/iPhone play.

- ⑧ **REPEAT ALARM/BRIGHTNESS CONTROL**
 - Repeat the alarm.
 - Adjust the display brightness.

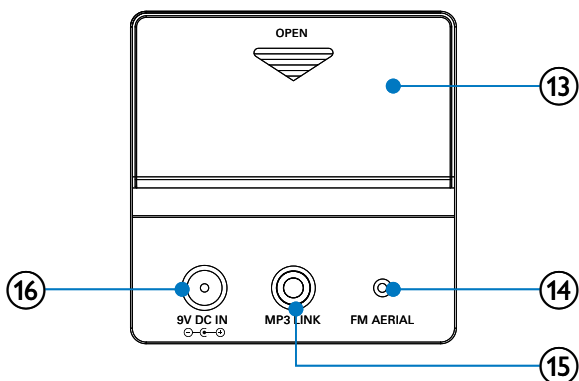
- ⑨ **iPod/iPhone dock**
 - Load an iPod/iPhone.

- ⑩ **DBB**
 - Turn on or off dynamic bass enhancement.

- ⑪ **SLEEP**
 - Set the sleep timer.

- ⑫ **SOURCE**
 - Select a source: iPod/iPhone, FM tuner or AUX.

Back View



13 Backup battery compartment

- Insert 2 pieces of AAA/R03/UM4, 1.5V batteries.

14 FM AERIAL

- Improve FM reception.

15 MP3-LINK

- Jack for an external audio device.

16 DC IN

- Power supply socket.

3 Get started



Caution

- Use of controls or adjustments or performance of procedures other than herein may result in hazardous radiation exposure or other unsafe operation.

Always follow the instructions in this chapter in sequence.

If you contact Philips, you will be asked for the model and serial number of this apparatus. The model number and serial number are on the bottom of the apparatus. Write the numbers here:

Model No. _____

Serial No. _____

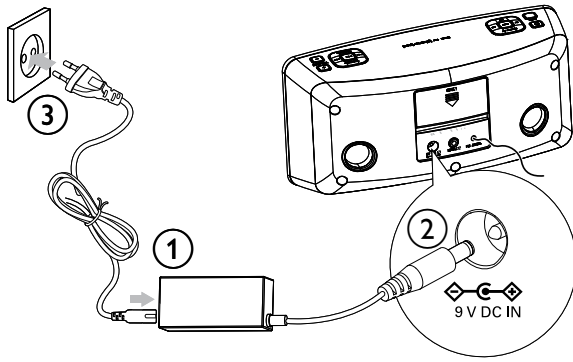
Connect power



Caution

- Risk of product damage! Ensure that the power voltage corresponds to the voltage printed on the back or underside of the apparatus.
- Risk of electric shock! When you unplug the AC adaptor, always pull the plug from the socket. Never pull the cord.
- Before connecting the power plug, ensure you have completed all other connections.

- 1** Connect the AC power cord and the AC adaptor.
- 2** Connect the AC adaptor to the **DC IN** socket on the main unit.
- 3** Connect the power plug of the AC power cord to the wall outlet.



Note

- The voltage and power rating information is located on the bottom of the unit.

Set time and date

- 1 Dock the iPod/iPhone on the unit.
- 2 Open the iPod/iPhone.
 - ↳ Time and date information on the iPod/iPhone transfers to the unit automatically.
- **To set time and date manually:**
 - 1 In standby mode, press and hold **DATE • AUTO TUNE/TIME SET** for 2 seconds.
 - ↳ **[24HR]** begins to blink.
 - 2 Press **TUNING +/-** or **◀▶** to select 12/24 hour format.
 - 3 Press **DATE • AUTO TUNE/TIME SET** to confirm.
 - ↳ The hour digits begin to blink.
 - 4 Press **TUNING +/-** or **◀▶** to set the hour.
 - 5 Press **DATE • AUTO TUNE/TIME SET** to confirm.
 - ↳ The minute digits begin to blink.

- 6 Repeat steps 4-5 to set the minute, year, month, and day.
-

Turn on

- 1 Press **POWER**.
↳ The unit switches to the last selected source.
-

Switch to standby

- 1 Press **POWER** again to switch the unit to standby mode.
↳ The time and date (if set) appear on the display panel.

4 Play

Play from iPod/iPhone

You can enjoy audio from iPod/iPhone through this unit.

Compatible iPod/iPhone

Apple iPod and iPhone models with a 30-pin dock connector:

- iPod classic, iPod touch, iPod nano, iPod 5th generation (video), iPod with color display, iPod mini.
- iPhone, iPhone 3G, iPhone 3GS.

Listen to the iPod/iPhone

- 1 Place the iPod/iPhone into the dock.
- 2 Press **SOURCE** repeatedly to select iPod/iPhone source.
 - ↳ The connected iPod/iPhone plays automatically.
 - To pause/resume play, press ►||.
 - To skip to a track, press ◀◀/▶▶.
 - To search during play, press and hold ◀◀/▶▶, then release to resume normal play.

Charge the iPod/iPhone

When the unit is connected to power, the docked iPod/iPhone begins to charge.



Tip

- For certain iPod models, it may take up to a minute before the charging indication appears.

Play from an external device

You can also listen to an external audio device through this unit.

- 1** Press **SOURCE** repeatedly to select AUX source.
- 2** Connect the supplied MP3 link cable to:
 - the **MP3 LINK** jack (3.5mm) on the back of the unit.
 - the headphone jack on an external device.
- 3** Start to play the device (see the device user manual).

5 Listen to radio



Note

- Only FM radio reception is available on this unit.

Tune to a radio station



Tip

- Position the antenna as far as possible from TV, VCR or other radiation source.



Note

- For optimal reception, fully extend and adjust the position of the antenna.

- 1** Press **SOURCE** to select FM.
- 2** Press and hold **TUNING +/-** for more than 2 seconds.
 - ↳ **[SRCH]** (search) displays.
 - ↳ The radio tunes to a station with strong reception automatically.
- 3** Repeat step 2 to tune to more stations.
 - To tune to a weak station, press **TUNING +/-** repeatedly until you find optimal reception.

Program radio stations automatically

You can program a maximum of 20 preset radio stations.

- 1 In the tuner mode, press and hold **DATE • AUTO TUNE/TIME SET** for more than 2 seconds to activate automatic program mode.
 - ↳ **[AUTO]** (auto) is displayed.
 - ↳ All available stations are programmed in the order of waveband reception strength.
 - ↳ The first programmed radio station is broadcast automatically.

Program radio stations manually

You can program a maximum of 20 preset radio stations.

- 1 Tune to a radio station.
- 2 Press **DATE • AUTO TUNE/TIME SET** to activate the program mode.
 - ↳ PR01 begins to blink.
- 3 Press **DATE • AUTO TUNE/TIME SET** to confirm.
- 4 Repeat the above steps to program other stations.



Tip

- To overwrite a programmed station, store another station in its place.

Select a preset radio station

- 1 Press **⏪/⏩** to select a preset program number.

6 Other features

Set the alarm timer

You can set two alarms which go off at different time.

- 1** Ensure that you have set the clock correctly.
- 2** Press and hold **AL 1** or **AL 2** for 2 seconds.
↳ **[AL1]** or **[AL2]** begin to blink.
- 3** Press **SOURCE** repeatedly to select an alarm sound source: iPod/iPhone, iPod/iPhone playlist, FM tuner, or buzzer.
- 4** Press **AL 1** or **AL 2**.
↳ Hour digits begin to blink.
- 5** Press **TUNING +/-** or **◀◀▶▶** repeatedly to set the hour.
- 6** Press **AL 1** or **AL 2** to confirm.
↳ Minute digits begin to blink.
- 7** Repeat steps 5-6 to set the minute.
- 8** Repeat steps 5-6 to select whether to ring alarm the whole week, on weekdays, or at weekend.
- 9** Repeat steps 5-6 to set the alarm volume.



Tip

- If you want to wake up to specific music track(s) on iPhone/iPod, after set iPhone/iPod playlist as the wake up source on the unit, you need to create a playlist called 'PHILIPS' via iTunes and copy the track(s) to this new 'PHILIPS' playlist.
- If no playlist is created or there is no song in the playlist, the unit will play the music track according to the last music playback preference on iPhone/iPod.

Activate and deactivate the alarm timer

- 1 Press **AL 1** or **AL 2** repeatedly.
 - ↳ If the timer is activated, [**🔔AL1**] or [**🔔AL2**] is displayed.
 - ↳ If the timer is deactivated, 🔔 before [**AL1**] or [**AL2**] disappears.

Gentle wake

Gentle wake function peacefully wakes you with gently ascending alarm volume.

- If selected the alarm source iPhone/iPod, iPhone/iPod playlist or FM, alarm volume will gently increase.
- If selected the alarm source Buzzer, the alarm will increase beep tone frequency within seconds.

Repeat alarm

- 1 When the alarm rings, press **BRIGHTNESS/REP ALM**.
 - ↳ The alarm repeats ringing minutes later.



Tip

- You can press **⏮/⏭** to adjust the interval to repeat alarm.

Stop alarm ring

- 1 When the alarm rings, press the corresponding **AL 1** or **AL 2**.
 - ↳ The alarm stops but the alarm settings remain.

View the alarm settings

- 1 Press **AL 1** or **AL 2**.

Backup Battery Mode

Under normal use, the unit should be powered through the AC adapter. If the AC adapter is disconnected, the unit will automatically switch to Backup Battery mode.

Under Backup Battery mode:

- The unit displays the same as under the Standby mode, with backlight off.
- Only the functions below are available:
 - Clock
 - Alarm



Note

- Alarm source is defaulted to 'Buzzer' under Backup Battery mode.

When AC Power is plugged back, the unit will exit Backup Battery mode and go to Standby mode.



Note

- Under Backup Battery mode, the unit can work over 3 months.
- When the battery power is low, the display panel will indicate "bAtt Lo" until the batteries are empty and the unit will switch off automatically. In this case, please replace the batteries in the backup battery compartment with 2 pieces of new 1.5V, AAA/R03/UM4 batteries.

Install backup batteries



Caution

- Risk of explosion! Keep batteries away from heat, sunshine or fire. Never discard batteries in fire.
- Risk of product damage! When the apparatus is not used for long periods, remove the battery.

- 1** Open the battery compartment on the back of the unit.
- 2** Insert 2 x 1.5V R03/UM-4/AAA batteries with correct polarity.
- 3** Close the battery compartment.



Note

- Batteries contain chemical substances, so they should be disposed of properly.

Set the sleep timer

This unit can switch to standby automatically after a set period of time.

- 1** Press **SLEEP** repeatedly to select a set period of time (in minutes).
 - ↳ The sleep timer is activated
 - ↳ The display shows **zzZ**
 - ↳ The volume starts to decrease gradually from the last 5 minutes of sleep timer
 - ↳ The unit switches to standby when reaches the set time.

To deactivate sleep timer

- 1 Press **SLEEP** repeatedly until **[OFF]** displays.
↳ z^z disappears on the display.

Adjust display brightness

- 1 Press **BRIGHTNESS/REP ALM** repeatedly to select different levels of display brightness.

7 Adjust sound

Adjust volume level

- 1 During play, press **VOL +/-** to increase/decrease the volume level.

Enhance bass

- 1 During play, press **DBB** to turn on or off dynamic bass enhancement.
 - ↳ If DBB is activated, [**DBB 1**] is displayed.
 - ↳ If DBB is deactivated, [**DBB 0**] is displayed.

8 Product information



Note

- Product information is subject to change without prior notice.

Specifications

Amplifier

Rated Output Power	2 x 2.5 W RMS
Frequency Response	125 Hz - 16 kHz, ± 3 dB
Signal to Noise Ratio	>55 dB
MP3 link	500 mV RMS 10 kohm

Tuner

FM

Tuning Range	87.5 - 108 MHz
Tuning grid	50 KHz
Sensitivity	<22 dBu
- Mono, 26dB S/N Ratio	<45 dBu
- Stereo, 46dB S/N Ratio	
Search Selectivity	<36 dBu
Total Harmonic Distortion	<3%
Signal to Noise Ratio	>45 dB

General information

AC power (power adaptor)	AS190-090-AQ180; Input: 220 V, 50 Hz, 0.7 A; Class II; Output: 9.0 V \Rightarrow 1.8 A
--------------------------	---------------------------------------------------------------------------------------------------

Operation Power Consumption	10 W
-----------------------------	------

Standby Power Consumption	< 1 W
---------------------------	-------

Dimensions - Main Unit (W x H x D)	216.9 x 105 x 139.4 (mm)
---------------------------------------	--------------------------

Weight - Main Unit	0.75 kg
-----------------------	---------

9 Troubleshooting



Warning

- Never remove the casing of this apparatus.

To keep the warranty valid, never try to repair the system yourself. If you encounter problems when using this apparatus, check the following points before requesting service. If the problem remains unsolved, go to the Philips web site (www.philips.com/welcome). When you contact Philips, ensure that the apparatus is nearby and the model number and serial number are available.

No power

- Ensure that the AC power plug of the unit is connected properly.
- Ensure that there is power at the AC outlet.

No sound

- Adjust the volume.

No response from the unit

- Disconnect and reconnect the AC power plug, then turn on the unit again.

Poor radio reception

- Increase the distance between the unit and your TV or VCR.
- Fully extend the FM antenna.

Timer does not work

- Set the clock correctly.
- Switch on the timer.

Clock/timer setting erased

- Power has been interrupted or the power plug has been disconnected.
- Reset the clock/timer.