

Docking Entertainment System

DC1010

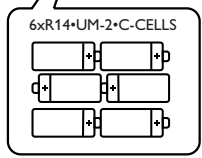
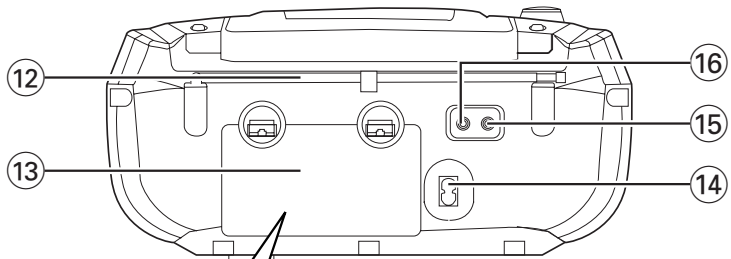
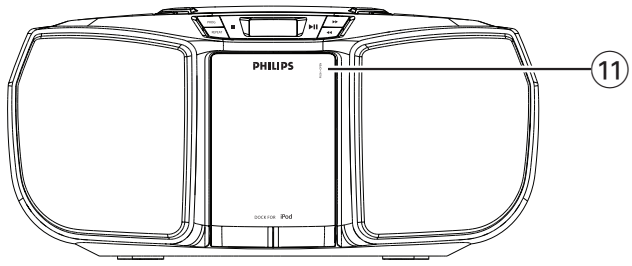
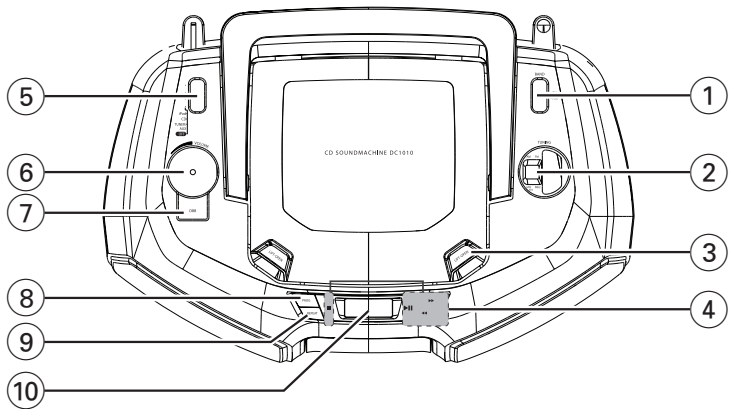
Register your product and get support at
www.philips.com/welcome

User Manual



PHILIPS

1



2



3



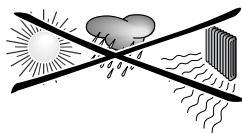
4



5



6



Hearing Safety

Listen at a moderate volume:

- Using headphones at a high volume can impair your hearing. This product can produce sounds in decibel ranges that may cause hearing loss for a normal person, even for exposure less than a minute. The higher decibel ranges are offered for those that may have already experienced some hearing loss.
- Sound can be deceiving. Over time your hearing "comfort level" adapts to higher volumes of sound. So after prolonged listening, what sounds "normal" can actually be loud and harmful to your hearing. To guard against this, set your volume to a safe level before your hearing adapts and leave it there.

To establish a safe volume level:

- Set your volume control at a low setting.
- Slowly increase the sound until you can hear it comfortably and clearly, without distortion.

Listen for reasonable periods of time:

- Prolonged exposure to sound, even at normally "safe" levels, can also cause hearing loss.
- Be sure to use your equipment reasonably and take appropriate breaks.

Be sure to observe the following guidelines when using your headphones:

- Listen at reasonable volumes for reasonable periods of time.
- Be careful not to adjust the volume as your hearing adapts.
- Do not turn up the volume so high that you can't hear what's around you.
- You should use caution or temporarily discontinue use in potentially hazardous situations.
- Do not use headphones while operating a motorized vehicle, cycling, skateboarding, etc.; it may create a traffic hazard and is illegal in many areas.

Congratulations on your purchase and welcome to Philips!

To fully benefit from the support that Philips offers, register your product at www.philips.com/welcome.


Supplied accessories

- AC power cord
- iPod dock
- line-in cord

Top and front panels (See 1)

- ① **BAND** – selects FM or AM waveband
- ② **TUNING** – tunes to radio stations
- ③ **LIFT•OPEN** – opens the CD door
- ④ **▶|** – starts or pauses CD playback.
 - – stop playback;
 - erases a CD program
 - ◀◀ ▶▶ – skips or searches a passage/track backwards
- ⑤ **Source selector: Tuner/AUX, CD, iPod, OFF**
 - selects tuner AUX, CD, or iPod, tuner source of sound
 - switches off the set
- ⑥ **VOLUME** – adjusts volume level
- ⑦ **DBB**
 - enhance bass effect
- ⑧ **PROG** – programs and reviews programmed track numbers
- ⑨ **REPEAT** – repeats a track/CD program/entire CD
- ⑩ **Display** – shows the CD/iPod functions

Back panel (See 1)

- ⑪ **DOCK for iPod**
 - cradle for docking adaptors used to dock your iPod player for playback or recharging through this system.
- ⑫ **Telescopic antenna** – improves FM reception
- ⑬ **Battery door** – open to insert 6 x 1.5V **R-14/ UM2/ C-cells**
- ⑭ **AC MAINS** – inlet for power cord
- ⑮  – 3.5 mm stereo headphone socket

Helpful hints: *The speakers will be muted when headphones are connected to the set.*
- ⑯ **AUX** – 3.5 mm audio input jack

Power Supply

CAUTION

- Visible and invisible laser radiation. If the cover is open, do not look at the beam.

- High voltage! Do not open. You run the risk of getting an electric shock. The machine does not contain any user-serviceable parts.

- Modification of the product could result in hazardous radiation of EMC or other unsafe operation.

- Do not put the unit into cupboard for use.

This set complies with the radio interference requirements of the European Community.

Power Supply

Whenever convenient, use the mains supply cord if you want to conserve battery life. Make sure you remove the plug from the set and wall outlet before inserting batteries.

Batteries (not included)

- 1 Open the battery compartment and insert six batteries, type **R-14, UM-2** or **C-cells**, (preferably alkaline) with the correct polarity as indicated by the "+" and "-" symbols inside the compartment. (See [1](#))
- 2 Replace the compartment door, making sure the batteries are firmly and correctly in place. The set is now ready to operate.

– Remove battery if it is exhausted or will not be used for a long time.

– Batteries contain chemical substances, so they should be disposed of properly.

– Perchlorate Material-special handling may apply. See www.dtsc.ca.gov/hazardouswaste/perchlorate.

- Incorrect use of batteries can cause electrolyte leakage and will corrode the compartment or cause the batteries to burst:
- Do not mix battery types: e.g. alkaline with carbon zinc. Only use batteries of the same type for the set.
- When inserting new batteries, do not try to mix old batteries with the new ones.
- Remove the batteries if the set is not to be used for a long time.

Using AC Mains

- 1 Check if the power/mains voltage, **as shown on the type plate located on the bottom of the set**, corresponds to your local power supply. If it does not, consult your dealer or service center.
 - 2 Connect the power cord to the AC MAINS inlet and the wall socket. The mains lead is now connected and ready for use.
 - 3 To switch the set off completely, withdraw the power cord from the wall socket.
 - 4 Install the unit near the AC outlet and where the AC power plug can be easily reached.
- Disconnect the mains lead from the wall socket to protect your set during heavy thunderstorms. Children could seriously injure themselves as the free end of the cable may still be live if only the connector is removed from the MAINS socket at the back of the unit.

The type plate is located on the bottom of the set.

Helpful hints:

- To avoid unnecessary energy consumption, always adjust the **source selector** to **OFF** after using the set.

Basic operation

- 1 To select your sound source, adjust the **source selector** to: **TUNER, AUX, CD, iPod,** or **OFF**.
- 2 To switch off the set, adjust the **source selector** to **OFF** position and check the cassette keys are released.

Helpful hints:

In tuner mode, if you connect a 3.5 mm aux-in cable, the source changes to **AUX** automatically.

Adjusting volume

Adjust the volume with the **VOLUME** control.

Radio reception

- 1 Adjust the **source selector** to **TUNER**.
- 2 Adjust **BAND** to **FM** or **AM** as your desired band.
- 3 Turn **TUNING** to tune to a station.
 - For **FM**, extend and turn the telescopic antenna for best reception. Reduce its length if the signal is too strong.
 - For **AM**, the set uses a built-in antenna. Direct this antenna for best reception by turning the whole set.
- 4 To switch off the radio, adjust the source selector to **OFF** position.

Playing a CD

This CD player plays Audio Discs including CD-Recordables and CD-Rewritable.

- MP3 CD-ROMs, CD-I, CDV, VCD, DVD or computer CDs are not possible for playback on this set.

IMPORTANT!

- CDs encoded with **copyright protection technologies** by some record companies may be unplayable by this product.

- 1 Adjust the **source selector** to **CD**.
- 2 Open the disc door.
- 3 Insert a CD with the printed side facing up and press the CD door gently to close.
 - Display shows - - and later, the total number of tracks. (See [2], [3])
- 4 Press **▶II** on the set to start playback.
 - Display: **▶** and the current track number: (See [4])
- 5 To pause playback press **▶II**. To resume playback, press **▶II** again.
- 6 To stop CD play, press **■**.

Helpful hints:

CD play will also stop when:

- you open the CD compartment;
- you select **TUNER, AUX, or OFF** sound source;
- the CD has reached the end of playback.

Selecting a different track

- Press **◀◀** or **▶▶** once or repeatedly until the desired track number appears in the display.
- In the stop/pause position, press **▶II** to start playback.

CD Player

Finding a passage within a track

- 1 During playback, press and hold down **◀/▶**.
→ The CD is played at high speed and low volume.
- 2 When you recognize the passage you want release **◀/▶**.
→ Normal playback resumes.

Helpful hints:

- When your searching reaches the end of the last track, the CD goes to stop mode.

Programming track numbers

You may store up to 20 tracks in the desired sequence. If you like, store any track more than once.

- 1 In the stop position, press **PROG** to activate programming.
→ Display: **PROG** and **00** flash (see [5](#)).
- 2 Press **◀** or **▶** to select your desired track number.
→ Display: **PROG** and your desired track number flash.
- 3 Press **PROG** to store the desired track number.
→ Display: **PROG** and **00** flash for you to program the next track.
- 4 Repeat steps **2** to **3** to select and store all desired tracks in this way.
- 5 To play your program, press **▶II**.
→ Display: **PROG** flashes during program playback.

Helpful hints :

- If you try to store more than 20 tracks, no track can be selected and the display will show flashing --.

To review a program

- In the stop position, press and hold **PROG** for two seconds to see your stored track numbers.

Erasing a program

You can erase the contents of the memory by:

- in the stop position, press **PROG** to enter program mode, and then press **■**;
 - Selecting **TUNER, AUX, or OFF** sound source;
 - opening the CD door.
- Display: **PROG** disappears.

Different play mode

REPEAT

You can play the current track or the whole disc repeatedly, and combine REPEAT modes with PROGRAM.

REPEAT – plays the current track continuously.

REPEAT ALL– repeats the entire CD/program.

- 1 To select play mode, press **REPEAT** once or more.
→ The display shows selected mode.
- 2 Press **▶II** to start playback if in the stop/pause position.
- 3 To return to normal playback, press **REPEAT** repeatedly until the modes are no longer displayed.
– You can also press **■** to cancel your play mode.

Compatible iPod players

- The docking entertainment system is compatible with all the existing Apple iPod models with 30-pin connector: iPod touch (8GB, 16GB), iPod classic (80GB, 160GB), iPod video (30GB, 60GB, 80GB), and iPod nano generation 1 to 3.

Playing an iPod portable player

- 1 Correctly dock your iPod portable player in the cradle. Make sure the dock adapter is compatible.
- Make sure that you have powered on your iPod player before selecting iPod source.
- 2 Switch the source selector to **iPod**.
→ The iPod dock icon appears.
- 3 Playback starts automatically. Playback functions play, skip, fast search and, pause are possible using the controls on this system and its

remote control.

Charging iPod battery using the dock

- In iPod/Tuner/AUX mode, directly dock your iPod portable player on the cradle for charging.

Connecting an external device

You can listen to the sound of the connected external device through your DC1010's speakers.

- 1 Adjust the **source selector** to **AUX**.
- 2 Use a line-in cable (not supplied) to connect DC1010's AUX jack (3.5 mm, located on the back panel) to an AUDIO OUT or headphone jack on an external equipment (such as CD player, or VCR).

Important notes for users in the U.K.

Mains plug

This apparatus is fitted with an approved 13 Amp plug. To change a fuse in this type of plug proceed as follows:

1. Remove fuse cover and fuse.
2. Fix new fuse which should be a BS1362 3 Amp, A.S.T.A. or BSI approved type.
3. Refit the fuse cover.

If the fitted plug is not suitable for your socket outlets, it should be cut off and an appropriate plug fitted in its place. If the mains plug contains a fuse, this should have a value of 3 Amp. If a plug without a fuse is used, the fuse at the distribution board should not be greater than 3 Amp.

Note: The severed plug must be disposed of to avoid a possible shock hazard should it be inserted into a 13 Amp socket elsewhere.

How to connect a plug

The wires in the mains lead are coloured with the following code: blue = neutral (N), brown = live (L). As these colours may not correspond with the colour markings identifying the terminals in your plug, proceed as follows:

- Connect the blue wire to the terminal marked N or coloured black.
- Connect the brown wire to the terminal marked L or coloured red.
- Do not connect either wire to the earth terminal in the plug, marked E (or e) or coloured green (or green and yellow).

Before replacing the plug cover, make certain that the cord grip is clamped over the sheath of the lead - not simply over the two wires.

Copyright in the U.K.

Recording and playback of material may require consent. See Copyright Act 1956 and The Performer's Protection Acts 1958 to 1972.

CD player and CD handling

- If the CD player cannot read CDs correctly, use a cleaning CD to clean the lens before taking the set to repair.
- The lens of the CD player should never be touched!
- Sudden changes in the surrounding temperature can cause condensation on the lens of your CD player: Playing a CD is then not possible. Do not attempt to clean the lens but leave the set in a warm environment until the moisture evaporates.
- Always close the CD door to avoid dust on the lens.
- To clean the CD, wipe in a straight line from the center towards the edge using a soft, lint-free cloth. Do not use cleaning agents as they may damage the disc.
- Never write on a CD or attach any stickers to it.

Safety information

- Place the set on a hard, flat and stable surface so that the system does not tilt.
- Do not expose the set, batteries, CDs to humidity, rain, sand or excessive heat caused by heating equipment or direct sunlight.
- Do not expose the apparatus to dripping or splashing.
- Adequate ventilation with a minimum gap of 6 inches between the ventilation holes and surrounding surfaces is necessary to prevent heat build-up.
- The ventilation should be impeded by covering the ventilation openings with items, such as newspapers, table-cloths, curtains, etc..
- No objects filled with liquids, such as vases, shall be placed on the apparatus.
- No naked flame sources, such as lighted candles, should be placed on the apparatus.
- The mechanical parts of the set contain self-lubricating bearings and must not be oiled or lubricated.
- To clean the set, use a dry cloth. Do not use any cleaning agents containing alcohol, ammonia, benzene or abrasives as these may harm the housing.
- Where the MAINS plug or an appliance coupler is used as the disconnect device, the disconnect device shall remain readily operable.

Specifications

Power Consumption.....3.1W

Troubleshooting

If a fault occurs, first check the points listed below before taking the set for repair.

If you are unable to remedy a problem by following these hints, consult your dealer or service centre.

WARNING: *Do not open the set as there is a risk of electric shock. Under no circumstances should you try to repair the set yourself, as this will invalidate the guarantee.*

Problem

- Possible cause
- Remedy

No sound /power

- Volume not adjusted
- Adjust the VOLUME
- Power cord not securely connected
- Connect the AC power cord properly
- Batteries dead/ incorrectly inserted
- Insert (fresh) batteries correctly
- CD contains non-audio files
- Press ◀◀, ▶▶ once or more to skip to a CD audio track, instead of the data file.

Display does not function properly/ No reaction to operation of any of the controls

- Electrostatic discharge
- Switch off and unplug the set. Reconnect after a few seconds

Severe radio hum or noise

- Electrical interference: set too close to TV, VCR or computer
- Increase the distance

- - indication

- No CD inserted
- Insert a CD
- CD badly scratched or dirty
- Replace/ clean CD, see Maintenance
- Laser lens steamed up
- Wait until lens has cleared
- CD-R(W) is blank or not finalized
- Use a finalized CD-R(W) or suitable CD Audio disc only

Note:

Make sure the CD is not encoded with Copyright protection technologies, as some do not conform to the Compact Disc standard.

The CD skips tracks

- CD damaged or dirty
- Replace or clean CD
- Program is active
- Quit program mode

Note:

A CD badly scratch or dirty may result in improper operation.

Environmental information

All unnecessary packaging material has been omitted. The packaging can be easily separated into three materials: cardboard, polystyrene and plastic.

Your set consists of materials which can be recycled if disassembled by a specialized company. Please observe the local regulations regarding the disposal of packaging, dead batteries and old equipment.

Disposal of your old product

Your product is designed and manufactured with high quality materials and components, which can be recycled and reused.

When this crossed-out wheeled bin symbol is attached to a product it means the product is covered by the European Directive 2002/96/EC.

Please inform yourself about the local separate collection system for electrical and electronic products.

Please act according to your local rules and do not dispose of your old products with your normal household waste. The correct disposal of your old product will help prevent potential negative consequences for the environment and human health.

