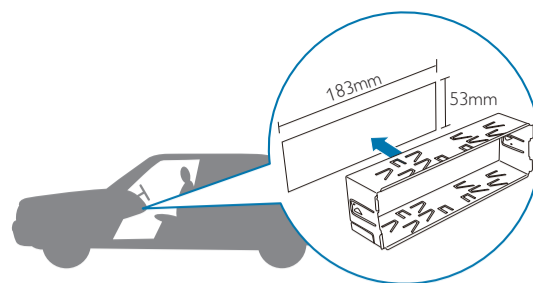




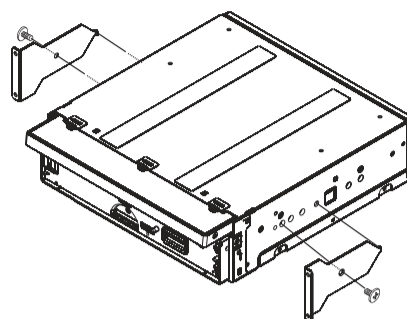
# Quick start guide



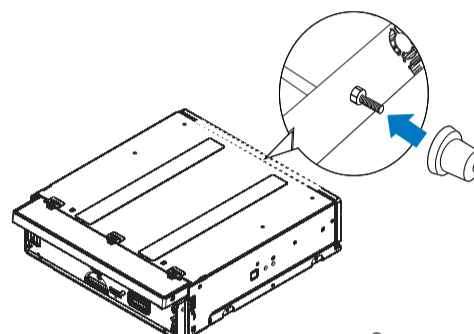
①



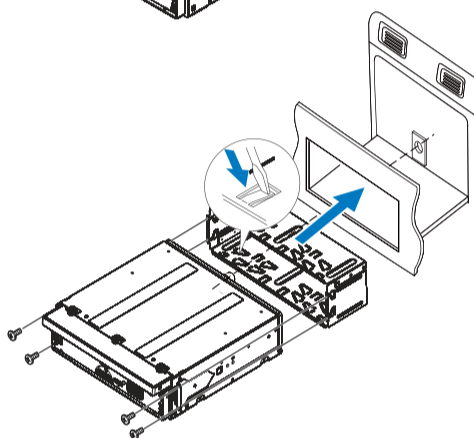
②



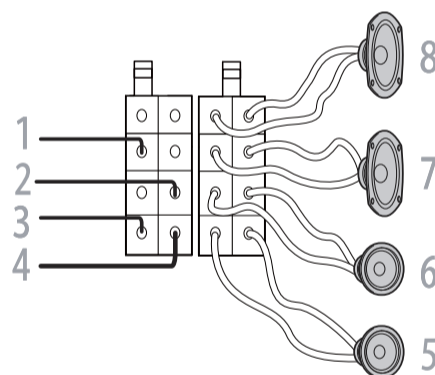
③



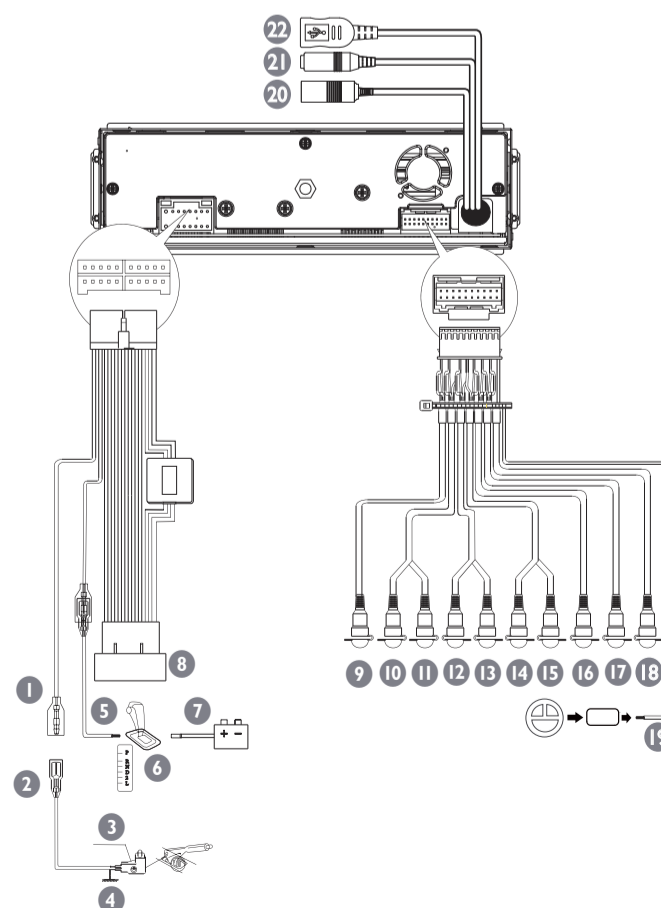
④



A

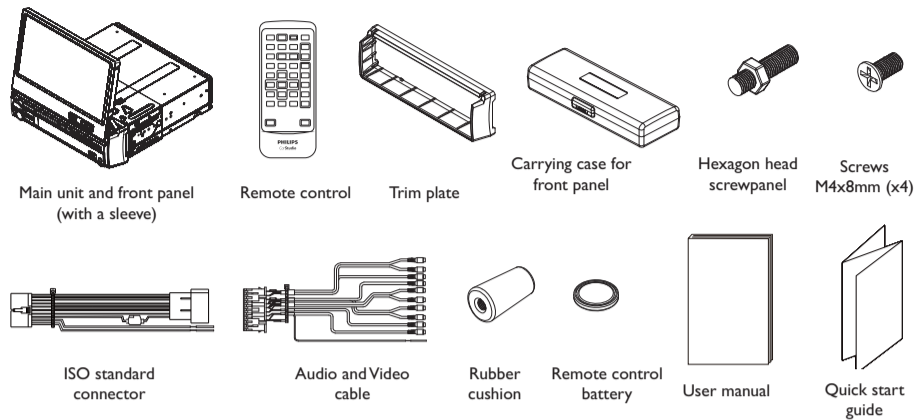


B



## Quick start guide

### What's in the box



### Connect wires (A)

Connector	Connect to
1 Yellow wire	The +12V car battery which is live at all times.
2 Blue/White wire	The electric antenna control lead or power supply lead of the antenna booster. If there is no electric antenna or antenna booster, or it is manually operated telescopic antenna, it is unnecessary to connect this lead.
3 Black wire	A metal surface of the car. Connect the black ground (earth) lead before connect the yellow and red power supply leads.
4 Red wire	The +12V power terminal which is live in the accessory (ACC) position of the ignition switch. If there is no accessory position, connect to the +12V car battery terminal that is always live. Ensure that black ground (earth) lead is connected to a metal surface of the car first.
5 Green and green/black wires	Left speaker (Rear)
6 White and white/black wires	Left speaker (Front)
7 Gray and gray/black wires	Right speaker (Front)
8 Purple and purple/black wires	Right speaker (Rear)

### Connect wires (B)

Connector/Object	Connect to/with
1 Pink wire	Extension wire
2 Extension wire (not included)	Parking brake (-)
3 Brake switch	
4 Ground	
5 Purple wire	Reverse camera (B+)
6 Gearbox switch	
7 Reverse gear signal	Black lamp lead +
8 ISO wires	Connected in step 1 above
9 Yellow cable	Video out
10 Red cable	Rear line out (Right)
11 White cable	Rear line out (Left)
12 Red cable	Front line out (Right)
13 White cable	Front line out (Left)
14 Red cable	Audio in (Right)
15 White cable	Audio in (Left)
16 Yellow cable	Video in
17 Brown cable	Camera in
18 Blue cable	Subwoofer
19 White wire	OE remote
20 Black wire	Radio antenna
21 Black wire	External microphone
22 Black wire	GPS smart antenna

### Turn on

- 1 Press to turn the unit on.  
↳ The available OSD (On-Screen Display) languages are displayed.
- 2 Tap a language with fingertip.  
↳ The OSD language is changed to the selected language immediately.
- 3 Tap a radio region with fingertip.  
↳ The radio region is changed to the selected radio region immediately.
- 4 Tap [Finish] to confirm.

### Pair the Bluetooth-enabled devices

#### Pairing with unit

- 1 Tap to display home menu.
- 2 Tap .  
↳ The setting menu is displayed.
- 3 Tap to display Bluetooth setting menu.
- 4 Tap [New Pairing] to search for Bluetooth device with your device.
- 5 Select the name of desired device in the pairing list.
- 6 Enter default password "0000" in your device.  
↳ If the pairing succeeds, the phone call record is displayed.

#### Pairing with mobile phone

- 1 Open your mobile phone and switch on Bluetooth.
- 2 Search for other Bluetooth device with your device.
- 3 Select "CED780" in the pairing list.
- 4 Enter default password "0000".  
↳ If the pairing succeeds, the dial screen is displayed.

### Make a call

- 1 Tap on top of the screen.  
↳ The dial screen is displayed.
- 2 Tap number icons directly to input phone number.
  - Tap to clear the last input.
  - Tap to clear all input.
  - Tap to go back to previous screen.
- 3 Tap to start calling.
- 4 During talking, tap to display the keypad.

### Receive call

- 1 If there is an incoming call, [Incoming call...] is displayed on the screen.
- 2 Tap (green) to answer/accept the call.
- 3 When conversation ends, tap (red) to terminate the call.

### Reset

When the unit hangs up, you can reset it.  
Press **RESET** with a ball-point pen or similar tool.

