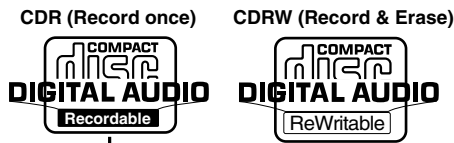
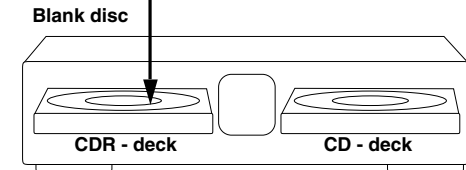


This Quick Reference Guide will help you to easily install and operate your CD recorder. We strongly recommend the use of a CDRW disc first to get used to your recorder. For detailed information see the Instructions For Use.

WHAT YOU SHOULD KNOW BEFORE STARTING

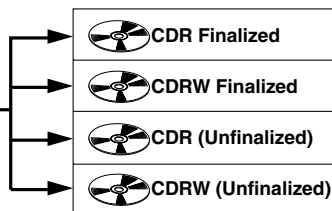


Important:
Only blank discs with 'Digital Audio' in the logo can be used.



Recorded disc

Note:
Finalizing after recording is only necessary for playback in other CD players



	Playback in:			
	Normal CD player*	CD player* CDRW compatible	CD Recorder	
			CDR - deck	CD - deck
CDR Finalized	✓	✓	✓	✓
CDRW Finalized	-	✓	✓	✓
CDR (Unfinalized)	-	-	✓	✓
CDRW (Unfinalized)	-	-	✓	✓

*Car stereo, Discman, etc.

INSTALLATION

WARNING: Always put the receiver/amplifier on top.

WARNING: Always make sure that the recorder and all other equipment are switched off before making any connections.

Analog connection - playback

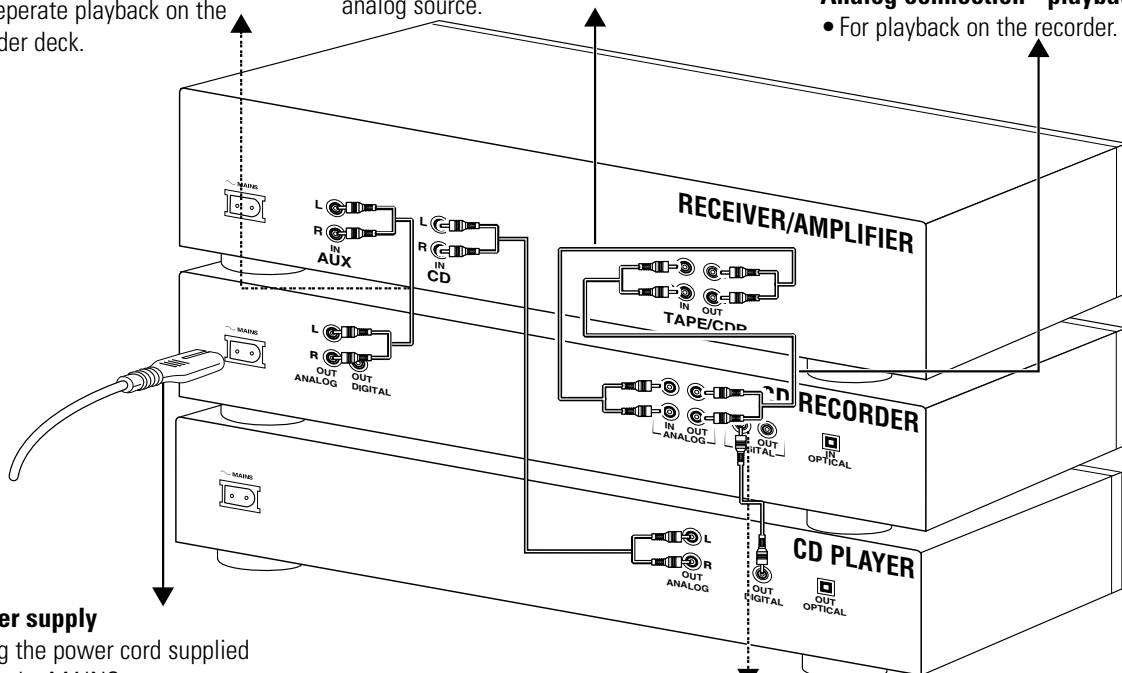
- For separate playback on the recorder deck.

Analog connection - recording

- For recording from an external analog source.

Analog connection - playback

- For playback on the recorder.

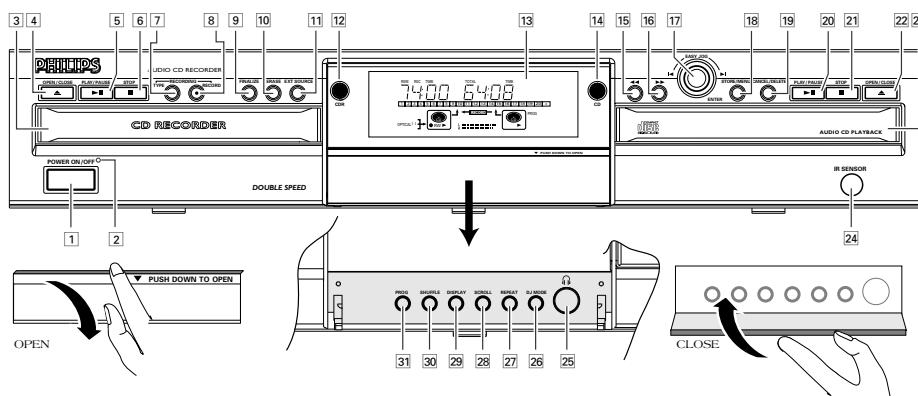


Power supply

- Plug the power cord supplied into the MAINS connector on the recorder then into a mains socket.

Digital coaxial connection - recording

- For recording from an external CD player with digital coaxial output.



OPERATION

SWITCHING ON

- 1 Press POWER ON/OFF [1].
- 2 Press any key to activate the recorder.

RECORDING

Recording CD, Track or Programme from Internal CD Deck

- 1 Select CDR [12].
- 2 Use RECORDING-TYPE [7] to select*:
 - RECORD FAST (high speed);
 - REC LISTEN (normal speed);
 - MAKE CD (high speed and auto-finalize).

To record a complete disc:

- 3 Press RECORDING-RECORD [8].

or:

To record a track or programme:

- 3 Press PROG(ram) [31].
- 4 Rotate JOG [17] to select track(s) and press JOG [17] to store each track.
- 5 Press PROG(ram) [31].
- 6 Press RECORDING-RECORD [8].

- To delete the programme after recording, press STOP ■ [6] / [21].

Finalizing

If you wish to play the disc in another CD player, the disc has to be finalized first.

Warning: After finalizing no more recordings can be made on a CDR disc.

- 1 Press FINALIZE [9].

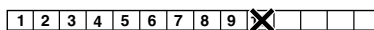
Note: If FINALIZED appears on the display, the disc has already been finalized in MAKE CD recording mode.

- 2 Press RECORDING-RECORD [8].

ERASING A CDRW DISC

Important: CDRW discs only!

- Tracks can only be erased from the end.



- With the EASY JOG [17] you can erase more tracks.



Note: It is not possible to erase tracks within the sequence.

- It is also possible to erase the entire disc at once.

Erasing the entire disc

- 1 Press ERASE [10] twice*.
- 2 Press RECORDING-RECORD [8].

Erasing single tracks

- 1 Press ERASE [10]*.
- 2 Press RECORDING-RECORD [8] to erase the last track.
- 3 Repeat steps 1 and 2 for each (last) track you wish to erase.

Erasing more tracks at once

- 1 Press ERASE [10]*.
- 2 Rotate JOG [17] to select the track you wish to start erasing from.
- 3 Press RECORDING-RECORD [8].
 - The selected track and all following tracks will be erased.

TEXT INPUT

Text input can be done in both stop and recording mode.

Text will be stored in the recorder memory and can be edited until CDR(W) is finalized. Text on finalized CDRW can be edited at any time.

- 1 Select CDR [12] (if necessary).
- 2 Press STORE/MENU [18].
 - TEXT EDIT on display.

- 3 Press JOG [17]*.

- 4 Use JOG [17] to select Album Artist, Album Title, Track 1 Artist, Track 1 Title, etc. and press JOG [17].

- 5 Use JOG [17] to select characters and press JOG [17].

- With CANCEL/DELETE [19] characters can be deleted.

- With ◀ [15] and ▶ [16] characters can be replaced.

- 6 Press STORE/MENU [18] to store text.

- 7 Press STORE/MENU [18] twice to leave menu mode.

PLAYING

- 1 Use DJ MODE [26] to select the required play mode:

CHANGER: discs in both decks will be played in sequence;

DJ MODE: discs in both decks can be played separately or at the same time.

- 2 Press PLAY/PAUSE ► [5] and/or [20] to start playback on the required deck(s).

- To interrupt play temporarily, press PLAY/PAUSE [5] and/or [20] again.

- 3 To stop play, press STOP ■ [6] and/or [21].

- With CD [14] and CDR [12] the status per deck can be displayed.

Track selection:

- 1 Turn JOG [17] to select.

- 2 Press JOG [17] or PLAY/PAUSE ► [5] / [20] to start play.

* If the message UNFINALIZE appears. Press JOG [17] to unfinalize first.