

Audio CD Recorder

**CDR770/771**

- *Instructions for use*
- *Mode d'emploi*
- *Instrucciones de manejo*
- *Bedienungsanleitung*
- *Gebruiksaanwijzing*
- *Istruzioni per l'uso*
- *Brugsanvisning*
- *Bruksanvisning*
- *Käyttöohje*
- *Manual de utilização*
- *Οδηγίες χρήσεως*
- *Instrukcja obsługi*

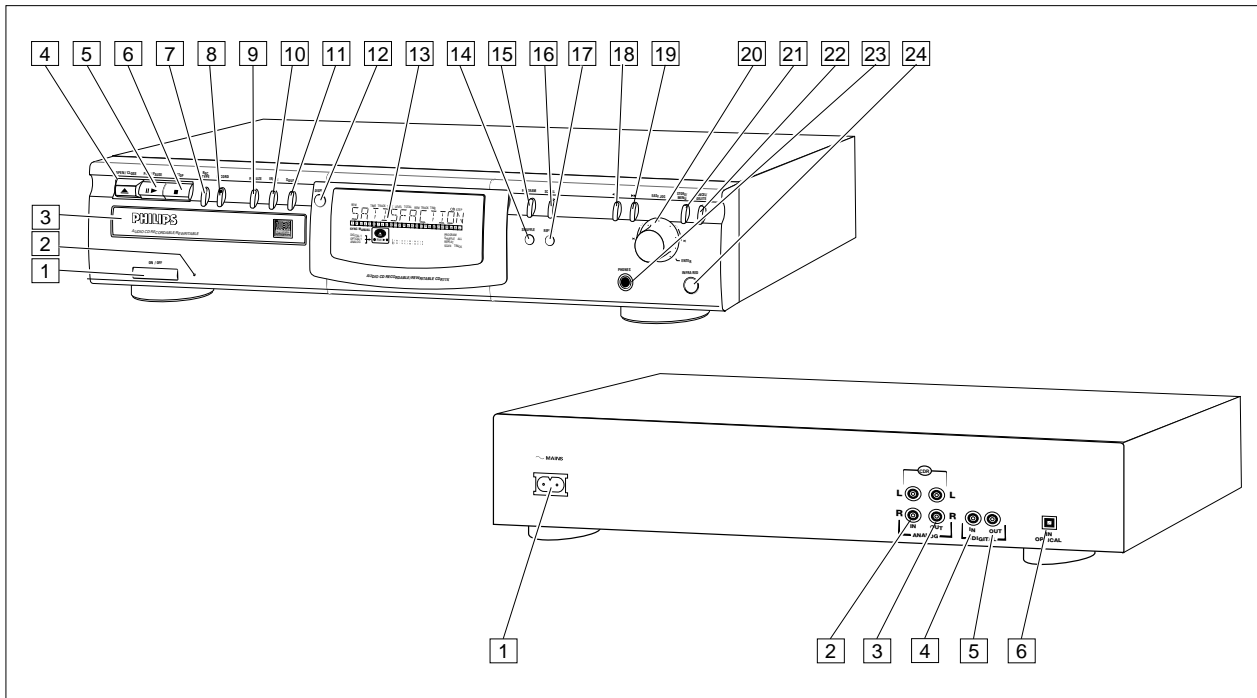


*Let's make things better.*



**PHILIPS**

# CONTROLS AND CONNECTIONS



## Controls on the front

- 1 **ON/OFF** .....turns the CD recorder ON and OFF
- 2 Standby indicator
- 3 Disc tray
- 4 **OPEN/CLOSE ▲**.....opens/closes disc tray
- 5 **PLAY/PAUSE ► II** .....starts play/interrupts play or recording
- 6 **STOP ■**.....stops/clears a program
- 7 **REC(ord) TYPE** .....selects recording modes
- 8 **RECORD** .....starts recording, finalizing, erasing
- 9 **FINALIZE** .....selects finalize mode
- 10 **ERASE**.....selects erasing mode (disc or track)
- 11 **SOURCE** .....selects input source
- 12 **DISPLAY**.....selects display information, permanent text scrolling and time
- 13 Display.....information screen
- 14 **SHUFFLE**.....plays CD(RW) or program in random order
- 15 **PROGRAM** .....opens/closes program memory
- 16 **SCROLL**.....activates scrolling of text over the display (once)
- 17 **REPEAT**.....repeats play (all, program or track)
- 18 **◀◀** ..... - searches backward  
- cursor control in Menu/Prog. review mode
- 19 **▶▶** ..... - searches forward  
- cursor control in Menu/Prog. review mode
- 20 **◀ EASY JOG ▶** ..... - previous/next track (Play and Program mode) (rotate)  
- recording level control (recording)  
- selects settings (menu on)
- ENTER (push)** ..... - plays selected tracks  
- selects settings in Menu mode  
- programs track numbers

- 21 **STORE/MENU** ..... - enters Menu mode  
- stores Menu settings
- 22 **CANCEL/DELETE** ..... - deletes tracks from a program  
- deletes text in Menu mode  
- returns to a higher level in the menu
- 23 **PHONES** .....socket for headphones
- 24 **IR sensor** .....receives signals from the remote control

*Note: Unless stated otherwise, all controls are on the front of the CD recorder. When provided on the remote control, you can also use the corresponding buttons, after selecting the CD recorder or separate CD player by pressing CDR or CD.*

## Connections at the back

- 1 Connection to mains
- 2 **ANALOG IN** .....connects to the line output of an amplifier (left and right)
- 3 **ANALOG OUT CDR** .....connects to the line input of an amplifier (left and right)
- 4 **DIGITAL IN**.....connects to the digital coaxial output of an external CD player
- 5 **DIGITAL OUT CDR** .....connects to the digital coaxial input of e.g. amplifier or recording device
- 6 **OPTICAL IN** .....connects to the digital optical output of an external CD player

## Connections general

For recording the following inputs are present:

- Digital optical input.
- Digital coaxial input.
- Analog input.

For playback the following outputs are present:

- Digital coaxial output.
- Analog output.

We advise you to connect these to the CD input on your amplifier.

The connections you make will depend upon the possibilities your audio equipment offers. Please refer to the user manuals for your other audio equipment first.

*Digital recordings (optical or coaxial) give the best performance in audio and usability (e.g. auto-track).*

(The digital optical connection is less sensitive to external disturbances).

If your equipment does not offer digital connections, the high quality Analog-Digital-Convertor of your CD recorder will ensure very good audio performance when recordings are made from the analog input.

Playback via the digital coaxial output of the CD recorder gives the best audio performance.

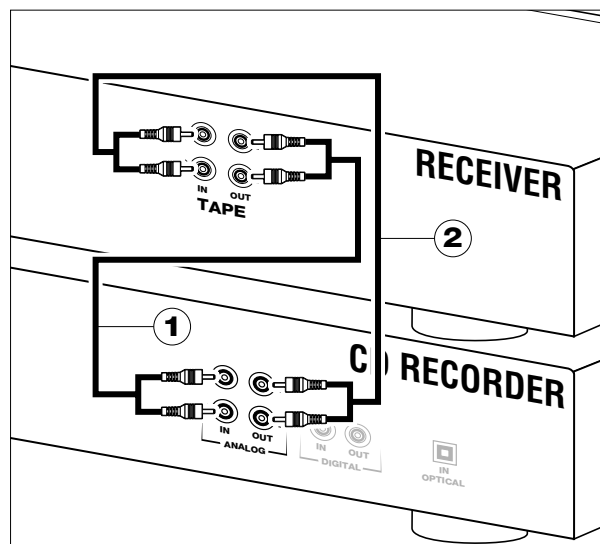
If your equipment does not offer digital connections, the high quality Digital-Analog-Convertor of the CD recorder ensures a very good sound quality via the analog output.

We advise you to always establish both digital and analog connections. In this way you can always make analog recordings when digital recording is not possible.

We have described the most common ways of connecting the CD recorder. If you still have difficulties with the connections you can always contact the Philips Consumer Service desk in your country.

## Analog connections

Analog connection is required for playback of CDs (use cable ②) and for recording from external analog sources (use cable ①).



Use the audio cables supplied. Connect the red plugs to the R sockets, and the white plugs to the L sockets.

- 1** For recording, connect cable ① between the ANALOG IN-sockets on the CD recorder and the CDR LINE- or TAPE OUT-sockets of an amplifier.

*Note: For recording directly from a CD player, the analog input of the CD recorder should be connected to the analog output of the CD player.*

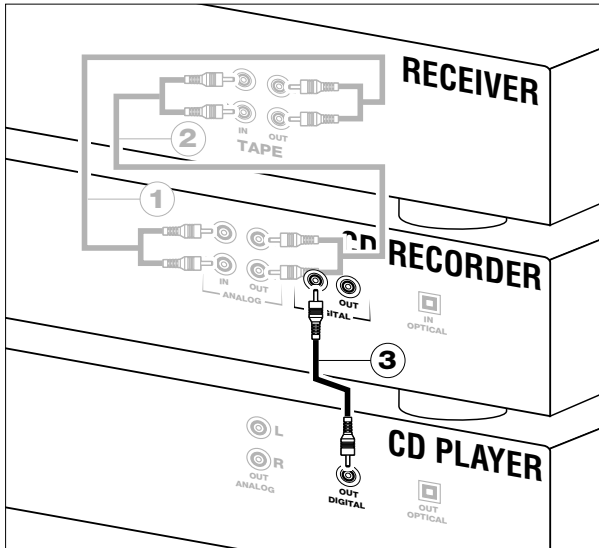
- 2** For playback, connect cable ② between the ANALOG OUT-sockets on the CD recorder and the input sockets of an amplifier e.g. TAPE IN, CDR or AUX.

*Note: Never use the PHONO input.*

# INSTALLATION

## Digital coaxial connections

Digital coaxial connection is only required in case you wish to record from a CD player with a digital coaxial output.



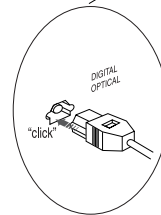
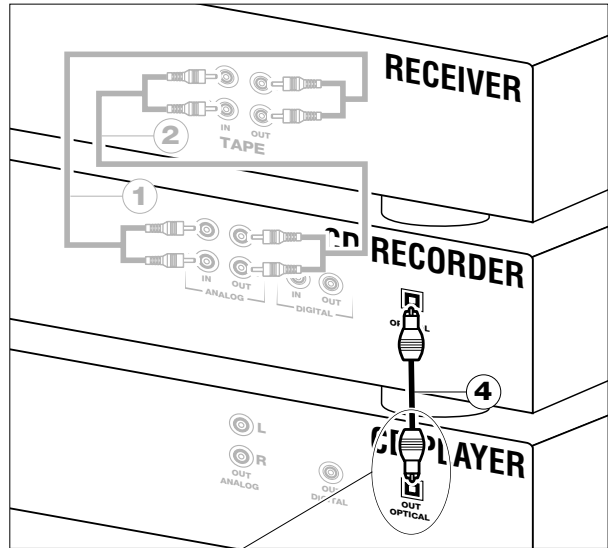
Use the digital coaxial cable supplied.

- 1 For recording, connect the cable ③ between the DIGITAL IN-socket on the CD recorder and the DIGITAL OUT-socket of a CD player.

*Note: Your CD recorder is equipped with a digital coaxial output. This output can be used for digital playback.*

## Digital optical connections

Digital optical connection is only required in case you wish to record from a CD player with a digital optical output.

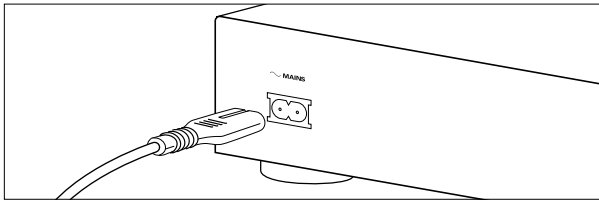


When connecting the Digital Optical cable, make sure it is fully inserted until there is a click.

- 1 Remove the dust caps from the digital optical connection. (We recommend you save the cap).
- 2 For recording, connect a fibre-optic cable ④ between the digital optical input of the CD recorder and the digital-optical output of a CD player.

*Note: For playback, the digital coaxial output or analog output should be connected to an amplifier.*

## Power supply



**1** Plug the power cord supplied into the MAINS connector on the CD recorder, then into a mains socket.

**2** Press ON/OFF.

→ The CD recorder will switch on.

### Note:

- If the CD recorder is in Standby mode (red led on), press any key to activate the recorder.
- The CD recorder will automatically adjust to the local mains voltage.
- When the CD recorder is in the 'OFF' position, it is still consuming some power. If you wish to disconnect your player completely from the mains, withdraw the plug from the AC outlet.

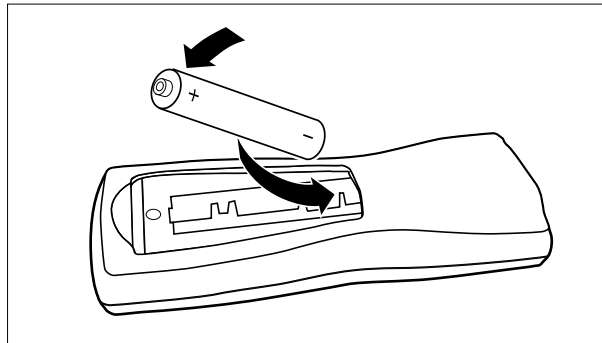
## Setup recommendations

- Place the CD recorder on a solid, vibration free surface.
- Do not place the CD recorder near a source of heat or in direct sunlight.
- Do not use the CD recorder under extremely damp conditions.
- If the CD recorder is placed in a cabinet, make sure that a 2.5 cm space remains free on all sides of the CD recorder for proper ventilation.

### Important:

- Do not put the CD recorder on top of other equipment that heats up the CD recorder (e.g. receiver or amplifier).

## Inserting batteries in the remote control



**1** Open the battery compartment cover.

**2** Insert 2 batteries ("AA", LR-6 or UM-3; as supplied) as shown.

**3** Replace the cover.

*Note: We recommend you use 2 batteries of the same type and condition.*

**Batteries contain chemical substances, so they should be disposed of properly.**