

Manufactured for: Philips Personal Health
 a division of Philips North America LLC
 P.O. Box 10313, Stamford, CT 06904, USA



This symbol on the product's nameplate means it is listed by Underwriters' Laboratories, Inc.

Norelco is a registered trademark of Philips North America LLC.

PHILIPS and Philips shield are registered trademarks of Koninklijke Philips N.V.

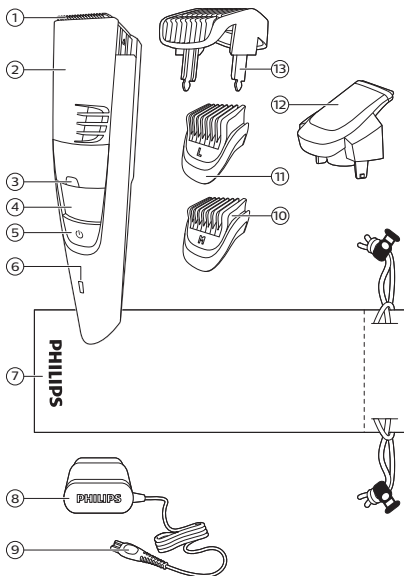
©2019 Philips North America LLC. All rights reserved.

4222.002.9133.3 (6/19/2019)



>75 % recycled paper
 >75 % papier recyclé

- 2
- 3
- 4
- 5
- 6
- 7
- 8
- 9
- 10
- 11
- 12
- 13
- 14
- 15
- 16
- 17
- 18
- 19
- 20
- 21
- 22
- 23
- 24
- 25
- 26

1

English

IMPORTANT SAFETY INSTRUCTIONS

When using an electric product, basic precautions should always be followed, including the following:

Read all instructions before using this product.

DANGER

To reduce the risk of electric shock:

- Do not reach for a corded product that has fallen into water. Unplug immediately from the power outlet.
- Keep the product and power cord dry.
- Use product only in dry condition. Do not use while bathing or in a shower.
- Remove power cord from power outlet and product before cleaning.
- Do not place or store the product where it can fall or be pulled into a tub or sink. Do not place or drop the product into water or other liquid.
- Except when charging, always unplug this product from the power outlet immediately after use.

WARNING

To reduce the risk of burns, fire, electric shock, or injury to persons:

- Close supervision is required when this product is used by, on, or near children, or persons with limited physical, sensory, or mental capabilities or invalids.
- Use this product only for its intended household use as described in this manual. Do not use attachments not recommended by Philips North America LLC.
- Never operate this product if it has a damaged power cord, if it is not working properly, after it has been dropped or damaged, or after the product or power cord has been dropped into water. For assistance call 1-800-243-3050.
- Keep the power cord away from heated surfaces.
- Never drop or insert any object into any opening.
- Do not use the power cord in or near a power outlet that contains an electric air freshener to prevent damage to the power cord.
- Do not use product outdoors or operate where aerosol (spray) products are being used or where oxygen is being administered.
- Always check cutters, cutting unit and guards before using the product. Do not use the product if cutters, cutting unit or guards are damaged, as injury may occur.
- Always attach power cord to product first, then to power outlet. To disconnect, set all controls to 'off' position. Then remove power cord from power outlet.
- Plug power cord directly into power outlet. Do not use an extension cord.

- Unplug power cord before plugging in or unplugging the product.
- Only use the power cord and other accessories supplied with the product.
- Do not attempt to open the product to remove or replace the built-in rechargeable battery.
- The batteries used in this product may present a fire or chemical burn hazard if mistreated. Do not disassemble, heat above 100 °C (212 °F) or incinerate.

IMPORTANT: The power plug contains a transformer. Do not cut off the power plug to replace it with another plug as this will cause a hazardous condition.

SAVE THESE INSTRUCTIONS

Introduction

Congratulations on your purchase and welcome to Philips Norelco!

To fully benefit from the support that Philips Norelco offers, register your product at www.norelco.com/register.

General description (Fig.1)

- 1 Cutting element
 - 2 Vacuum system
 - 3 Length setting display
 - 4 Zoom wheel
 - 5 On/off button
 - 6 Battery status indicator
 - 7 Pouch
 - 8 Power plug
 - 9 Small plug
 - 10 Detail comb 3mm (M)
 - 11 Detail comb 5mm (L)
 - 12 Precision trimmer
 - 13 Beard comb
- Not shown: cleaning brush, cleaning sponge

Display

Battery status indicator

When the battery is almost empty, the bottom light of the battery status indicator flashes orange.

When the product is charging, first the bottom light flashes white, then the second light, and so on. When the battery is fully charged, all lights light up white continuously.

Note: The lights switch off automatically after 30 minutes.

Remaining battery capacity

The remaining battery charge is shown by the lights of the battery charge indicator that light up continuously.

Length settings

The selected length setting is shown on the display above the zoom wheel when you select the desired hair length setting with the zoom wheel.

Charging

Charging takes approx. 1 hour. Charge the product before first use and when the bottom light of the battery status indicator flashes orange.

- 1 Make sure the product is turned off.
- 2 Put the small plug in the product and put the power plug in the wall outlet (Fig. 6).
- 3 After charging, remove the power plug from the wall outlet and pull the small plug out of the product.

When the product is fully charged, it has a cordless operating time of up to 120 minutes.

Quick charge

When the battery is empty and you connect the product to the wall outlet, the battery charge indicator flashes quickly. When the product contains enough energy for one trimming session, the battery charge indicator starts flashing white slowly. Quick charge takes approx. 5 minutes.

Charging in the charging stand

- 1 Put the small plug in the charging stand and put the power plug in the wall outlet.
- 2 Put the product in the charging stand.
- 3 After charging, remove the power plug from the wall outlet and pull the small plug out of the charging stand.

Note: The product can also be charged with the power plug.

Using the product

Always check the product and all accessories before using. Do not use the product or any accessory if it is damaged, as this may cause injury. Always replace a damaged part with one of the original type.

Note: This product can be used without cord or directly from the power outlet.

Note: Switch off and clean the product after each use (see 'Cleaning').

- Use this product for its intended household use as described in this manual.
- For hygienic reasons, the product should only be used by one person.

Switching the product on and off

Press the on/off button once to switch the product on or off (Fig. 7).

Trimming with comb

Note: When you trim for the first time, start at the highest length setting to familiarize yourself with the product.

- You can use the beard and stubble comb attached to the cutting element to groom your beard and moustache in your preferred style. For the beard and stubble comb, you can turn the zoom wheel to choose from 20 length settings ranging from 0.5mm to 10mm/1/32in to 13/32in in steps of 0.5mm/1/32in.
- You can use the precision trimmer with a detail comb attached for precision trimming of your sideburns, moustache or beard (Fig. 14).

Note: Switch off and clean the product after each use (see 'Cleaning').

- 1 Attach the detail comb (Fig. 13) or the beard and stubble comb onto the product (Fig. 15).
- 2 Switch on the product.
- 3 To trim most effectively, move the product against the hair growth direction (Fig. 16). Make sure that the surface of the comb always stays in contact with the skin.

Trimming without comb

- You can use the product without beard and stubble comb to trim hair close to the skin or to contour the neckline and sideburns. To trim hair close to the skin, place the flat side of the trimming head against your skin and make strokes in the desired direction (Fig. 8).
- For contouring hold the trimming head perpendicular to the skin and move the trimming head upwards or downwards with gentle pressure (Fig. 9).
- You can use the precision trimmer to create fine lines and contours around your facial style, close to the skin (Fig. 10). Simply pull the cutting element straight off (Fig.) and insert the precision trimmer (Fig. 12).

Detail trimming without comb

You can use the detail trimmer to create fine lines and contours around your facial style, close to the skin.

- 1 Remove the cutting element (Fig. Fig. 11) and attach the detail trimmer (Fig. 12).
- 2 Switch on the product.
- 3 Hold the detail trimmer perpendicular to the skin and move the detail trimmer upwards or downwards with gentle pressure (Fig. 10).

Detail trimming with comb

You can use the detail trimmer with the detail comb attached for precision trimming of your sideburns, moustache or beard.

There are 2 different detail trimming combs: M (3mm) and L (5mm)

- 1 Attach the detail trimming comb onto the detail trimmer (Fig. 13).
- 2 Switch on the product.
- 3 To trim most effectively, move the product against the hair growth direction. Make sure that the surface of the comb always stays in contact with the skin.
- 4 Switch off and clean the product after each use (see 'Cleaning').

Cleaning

Only the cutting element and combs can be cleaned with water.

Never use scouring pads, abrasive cleaning agents or aggressive liquids such as gasoline or acetone to clean the product.

We advise you to empty the hair-collection chamber after each trimming session. When you trim long, dense beards, it may also be necessary to empty the hair-collection chamber during the trimming session in order to maintain optimal suction performance.

- 1 Switch off the product and disconnect it from the power outlet.
- 2 Wipe the housing of the product with a dry cloth.
- 3 Remove the comb (Fig. 17) and clean it with the cleaning brush and/or rinse it under the tap (Fig. 18).

Only the cutting element and combs can be cleaned with water.

- 4 Remove the cutting element and clean it under the tap (Fig. Fig. 19). Carefully shake off excess water and let air dry completely.

Never dry the cutting unit with a towel or tissue, as this may damage the trimming teeth.

- 5 Shake and/or brush out the hairs that have collected in the hair chamber (Fig. 20). Use the cleaning sponge to remove the hairs in the corners of the hair chamber (Fig. 21).
- 6 After cleaning, reattach the cutting element (Fig. Fig. 22) and comb (Fig. 15) to the product.

This product has no other user-serviceable parts. For assistance call 1-800-243-3050.

Storage

- Be sure the product is turned off. Remove cord from outlet and the product before storing it in a safe, dry location where it will not be crushed, banged, or subject to damage.
- Do not wrap cord around the product when storing.
- Store cord and other accessories in a safe location where these will not be cut or damaged.
- Do not place or store the product where it can fall or be pulled into a tub or sink, water or other liquid while plugged in.

Accessories

Accessories may be purchased at a store near you or on our website

www.philips.com/store.

Assistance

For assistance, visit our website:

www.philips.com/support or call toll free 1-800-243-3050.

Online information is available 24 hours a day, 7 days a week.

Disposal

- This product contains a rechargeable lithium-ion battery which must be disposed of properly (Fig. 26). Contact your local town or city officials for battery disposal information. You can also call 1-800-822-8837 or visit **www.call2recycle.org** for battery drop-off locations.
- For assistance, visit our website **www.philips.com/support** or call 1-800-243-3050 toll free.
- Your product is designed and manufactured with high quality materials and components, which can be recycled and reused. For recycling information, please contact your local waste management facilities or visit **www.recycle.philips.com**

Full Five-Year Warranty

Philips North America LLC warrants this new product (except blade and guards) against defects in materials or workmanship for a period of five years from the date of purchase, and agrees to repair or replace any defective product without charge.

IMPORTANT: This warranty does not cover damage resulting from accident, misuse or abuse, lack of reasonable care, the affixing

of any attachment not provided with the product or loss of parts or subjecting the product to any but the specified voltage or batteries.*

NO RESPONSIBILITY IS ASSUMED FOR ANY SPECIAL, INCIDENTAL OR CONSEQUENTIAL DAMAGES.

In order to obtain warranty service, simply go to www.philips.com/support for assistance. It is suggested that for your protection you return shipments of product by insured mail, insurance prepaid. Damage occurring during shipment is not covered by this warranty.

NOTE: No other warranty, written or oral, is authorized by Philips North America LLC.

This warranty gives you specific legal rights, and you may also have other rights which vary from state to state. Some states do not allow the exclusion or limitation of incidental or consequential damages, so the above exclusion and limitations may not apply to you.

*Read enclosed instructions carefully.

45-DAY MONEY-BACK GUARANTEE

If you are not fully satisfied with your product send the product back and we'll refund you the full purchase price.

The product must be shipped prepaid by insured mail, insurance prepaid, have the original sales receipt, indicating purchase price and date of purchase, and the money-back guarantee return authorization form enclosed.

We cannot be responsible for lost mail.

The product must be postmarked no later than 45 days after the date of purchase. Philips reserves the right to verify the purchase price of the product and limit refunds not to exceed suggested retail price.

To obtain the money-back guarantee service, please go to www.PhilipsMoneyBack.com and follow the simple 3-step process.

Delivery of refund check will occur 6–8 weeks after receipt of returned product.

Español

INSTRUCCIONES IMPORTANTES DE SEGURIDAD

Cuando utilice un producto eléctrico, siempre debe seguir las precauciones básicas, incluidas las siguientes:

Lea todas las instrucciones antes de usar este producto.

PELIGRO

Para reducir el riesgo de descarga eléctrica:

- No intente agarrar un producto con cable que haya caído al agua. Desconéctelo inmediatamente del enchufe de la pared.
- Mantenga el producto y el cable de alimentación secos.
- Use el producto únicamente si está seco. No lo use mientras se baña en la tina ni en la ducha.
- Desconecte el cable de alimentación del enchufe de pared y del producto antes de limpiarlo.
- No coloque ni guarde el producto en un lugar desde donde pueda caerse a una bañera o fregadero. No coloque el producto en un lugar desde donde pueda caerse al agua o a cualquier otro líquido ni sumerja el producto en ningún tipo de líquido.
- Excepto cuando se esté cargando, siempre desenchufe este producto del tomacorriente de pared inmediatamente después de usarlo.

ADVERTENCIA

Para reducir el riesgo de quemaduras, incendio, descarga eléctrica o lesiones:

- El uso de este dispositivo debe estar bajo estricta supervisión cuando esté operado por niños, por personas con capacidades mentales, sensoriales o físicas limitadas o por personas con discapacidades, o cuando se emplee en o cerca de estos.
- Use este producto solo para el uso doméstico previsto como se describe en este manual. No use accesorios que no estén recomendados por la corporación Philips North America LLC.
- Nunca utilice este producto si el cable o el enchufe de carga están dañados, si no funciona correctamente, si se cayó, si está dañado o si se sumergió en agua mientras estaba conectado a la alimentación eléctrica. Para solicitar asistencia, comuníquese al 1-800-243-3050.
- Mantenga el cable de alimentación lejos de superficies calientes.
- No deje caer ni introduzca ningún objeto en ninguna abertura.
- No utilice el adaptador dentro o cerca de una salida de corriente que contenga un ventilador de aire eléctrico para prevenir daño al adaptador.
- No use el producto a la intemperie ni lo use donde se estén usando productos de aerosol (atomizador) o donde se esté administrando oxígeno.
- Siempre controle las cuchillas, la unidad de corte y los peines antes de usar el producto. No use el producto si las cuchillas, la unidad de corte o los peines están dañados, ya que puede producirse una lesión.
- Siempre conecte la clavija al producto primero y, luego, al tomacorriente. Para desconectar, gire el interruptor de encendido/apagado a la posición de "APAGADO" y, luego, desenchufe la clavija del tomacorriente.
- Enchufe el cable de alimentación directamente en el toma corriente. No use un cable de extensión.
- Desconecte el cable de alimentación antes de conectar o desconectar el producto.
- Utilice únicamente el cable de alimentación y los accesorios suministrados con el producto
- No intente abrir el producto para retirar o reemplazar la batería recargable integrada.
- Las baterías que se emplean en este producto pueden representar un riesgo de incendio o de quemadura química si no se manipulan correctamente. No desarme, incinere ni permita que la temperatura de las baterías supere los 100 °C (212 °F).

¡IMPORTANTE! El enchufe eléctrico contiene un transformador. No corte el enchufe eléctrico para reemplazarlo con otro ya que esto puede producir una condición de peligro.

CONSERVE ESTAS INSTRUCCIONES

Introducción

¡Felicitaciones por su compra y bienvenido a Philips Norelco!

Para beneficiarse completamente del soporte que ofrece Philips Norelco, registre el producto en www.norelco.com/register.

Descripción general (Fig. 1)

- 1 Elemento de corte
- 2 Sistema de vacío
- 3 Pantalla de ajuste de longitud
- 4 Selector de longitud
- 5 Botón de encendido/apagado
- 6 Indicador de estado de la batería
- 7 Funda
- 8 Conector eléctrico
- 9 Enchufe pequeño
- 10 Peine de detalles 3 mm (M)
- 11 Peine de detalles 5 mm (L)
- 12 Cortadora de precisión
- 13 Peine para barba

No se muestra: cepillo de limpieza, esponja de limpieza

Mostrar

Indicaciones de estado de batería

Cuando la batería está casi agotada, la luz inferior del indicador del estado de la batería destella en color naranja.

Cuando el producto se está cargando, primero la luz inferior destella en blanco, luego la segunda luz, etcétera. Cuando la batería está totalmente cargada, se encienden todas las luces en blanco continuamente.

Nota: Las luces se apagan automáticamente después de 30 minutos.

Capacidad de carga disponible

Cuando la batería está totalmente cargada, todas las luces del indicador de carga de la batería se iluminan en blanco constantemente.

Indicaciones de longitud de vello

El ajuste de longitud seleccionado se muestra en la pantalla arriba del selector cuando selecciona el largo del vello deseado con el selector de longitud.

Carga

La carga toma, aproximadamente, 1 hora. Cargue el producto antes de usarlo por primera vez y cuando la luz inferior del indicador de estado de batería destelle en color naranja.

- 1 Asegúrese de que el producto esté apagado.
- 2 Coloque el enchufe pequeña en el producto y conecte el enchufe eléctrico en el tomacorriente de pared (Fig. 6).
- 3 Después de realizar la carga, retire el enchufe del tomacorriente y retire la clavija pequeña del producto.

Cuando el producto está totalmente cargado, posee una autonomía de funcionamiento de hasta 120 minutos sin cable.

Carga rápida

Cuando la batería está agotada y conecta el producto en el enchufe de pared, el indicador de carga de la batería destella rápidamente. Cuando el producto tiene suficiente energía para una sesión de recorte, el indicador de carga de la batería comienza a destellar en blanco lentamente.

El proceso de carga tarda aproximadamente 5 minutos.

Carga en la base de carga

- 1 Coloque el enchufe pequeño en la base de carga y conecte el enchufe eléctrico en el tomacorriente de pared.
- 2 Coloque el producto en la base de carga.
- 3 Después de realizar la carga, retire el enchufe del tomacorriente y retire la clavija pequeña de la base de carga.

Nota: El producto también se puede cargar con el enchufe eléctrico.

Uso del producto

Siempre revise el producto y todos los accesorios antes de usarlo. No use el producto ni ningún accesorio si está dañado, ya que esto puede causar alguna lesión. Siempre reemplace una pieza dañada con una del tipo original.

Nota: Este producto puede usarse sin el cable de alimentación o conectado directamente al tomacorriente.

Nota: Desconecte y limpie el producto después de cada uso (ver 'Limpieza').

- Use este producto para su uso previsto en el hogar, según se describe en este manual.
- Por motivos de higiene, el producto debe emplearse únicamente por una persona.

Encendido y apagado del producto

Presione el botón de encendido/apagado una vez para encender o apagar el producto (Fig. 7).

Recorte con peine

Nota: Cuando realice el primer recorte, empiece en el ajuste de longitud más alto para que se familiarice con el producto.

- Puede usar el peine de barba y de barba de pocos días junto con el elemento de corte para recortar la barba y el bigote con su estilo preferido. Para el peine de barba y de barba de pocos días, puede girar el selector de longitud para escoger 20 ajustes de longitud de 0.5 mm a 10 mm/1/32 in a 13/32 in en pasos de 0.5 mm/1/32 in.
- Puede usar la cortadora de precisión con un peine de detalles para lograr un recorte de precisión en las patillas, el bigote o en la barba (Fig. 14).

Nota: Desconecte y limpie el producto después de cada uso (ver 'Limpieza').

- 1 Coloque el peine de detalles (Fig. 13) o el peine de barba y de barba de pocos días en el producto (Fig. 15).
- 2 Encienda el producto.
- 3 Para lograr un recorte más efectivo, desplace el producto a contrapelo (Fig. 16). Asegúrese de que la superficie del peine esté siempre en contacto con la piel.

Recorte sin peine

- Puede usar el producto sin el peine de barba y de barba de pocos días para recortar el vello corto o para dar forma a la línea del cuello y las patillas. Para recortar el vello corto, ubique el lado plano del cabezal de la cortadora contra la piel y deslícela en la dirección deseada (Fig. 8).
- Si desea dar forma a un área específica, sostenga el cabezal de la cortadora perpendicular a la piel y deslícelo hacia arriba y hacia abajo aplicando una presión suave (Fig. 9).
- Puede usar la cortadora de precisión para crear líneas finas y contornos de poca longitud que se adapten a su cara (Fig. 10). Simplemente retire el elemento de corte y (Fig. 11) coloque la cortadora de precisión (Fig. 12).

Corte de detalles sin peine

Puede usar la cortadora de detalles para crear líneas finas y contornos de poca longitud que se adapten a su cara.

- 1 Retire el elemento de corte (Fig. 11) y coloque la cortadora de detalles (Fig. 12).
- 2 Encienda el producto.
- 3 Sostenga la cortadora de detalles perpendicular a la piel y deslícela hacia arriba y hacia abajo aplicando una presión suave (Fig. 10).

Corte de detalles con peine

Puede usar la cortadora de detalles junto con el peine de detalles para lograr un recorte de precisión de las patillas, los bigote o la barba.

Hay 2 peines de recorte de detalles: M (3 mm) y L (5 mm)

- 1 Coloque el peine de recorte de detalles en la cortadora de detalles (Fig. 13).
- 2 Encienda el producto.
- 3 Para lograr un recorte más efectivo, desplace el producto a contrapelo. Asegúrese de que la superficie del peine esté siempre en contacto con la piel.
- 4 Desconecte y limpie el producto después de cada uso (ver 'Limpieza').

Limpieza

Solo el elemento de corte y los peines pueden limpiarse con agua.

Nunca use estropajos, agentes de limpieza abrasivos ni líquidos agresivos como gasolina o acetona para limpiar el producto.

Le recomendamos vaciar la cámara de acumulación de vello después de cada sesión de recorte. Cuando recorte barbas tupidas y largas, también puede ser necesario vaciar la cámara de acumulación de vello durante la sesión de recorte, a fin de mantener un rendimiento de succión óptimo.

- 1 Apague el producto y desconéctelo del tomacorriente.
- 2 Limpie la carcasa del producto con un paño seco.
- 3 Retire el peine (Fig. 17) y límpielo con el cepillo de limpieza o enjuáguelo en el grifo (Fig. 18).

Solo el elemento de corte y los peines pueden limpiarse con agua.

- 4 Retire el elemento de corte y límpielo en el grifo (Fig. 19Fig.). Elimine cuidadosamente el exceso de agua y deje secar al aire completamente.

Nunca seque el elemento de corte con una toalla o paño, ya que esto puede dañar el dentado de recorte.

- 5 Agite o cepille los vellos acumulados en la cámara de acumulación de vello (Fig. 20). Use la esponja de limpieza para quitar los vellos acumulados en las esquinas de la cámara (Fig. 21) de acumulación de vello.
- 6 Después de la limpieza, vuelva a colocar el elemento de corte (Fig. 22Fig.) y el peine (Fig. 15) en el producto.

Este producto no contiene otras piezas que requieran mantenimiento. Para solicitar asistencia, comuníquese al 1-800-243-3050.

Almacenamiento

- Asegúrese de que el producto esté apagado. Retire el cable del enchufe y del producto antes de guardarlo. Guarde el producto en un lugar seguro y seco donde no pueda aplastarse, golpearse o dañarse.
- No enrolle el cable alrededor del producto para guardarlo.
- Guarde el cable y otros accesorios en un lugar seguro donde no sufran cortes ni daños.
- No coloque ni guarde el producto en un lugar desde donde pueda, de algún modo, caerse a una bañera, lavabo o dentro de cualquier recipiente que contenga agua o líquido.

Accesorios

Los accesorios se pueden adquirir en la tienda más cercana a su domicilio o a través de nuestro sitio **web** www.philips.com/store.

Asistencia

Para asistencia, visite nuestro sitio web: www.philips.com/support o llame al número gratuito 1-800-243-3050.

La información en línea está disponible las 24 horas, los siete días de la semana.

Desecho

- Este producto posee una batería recargable de litio-ión que debe desecharse apropiadamente (Fig. 26). Contacte a sus funcionarios locales o de la ciudad para mayor información acerca del manejo final de la batería. También puede llamar al 1-800-822-8837 o visitar www.call2recycle.org para las ubicaciones donde se pueden desechar las baterías.
- Para obtener ayuda visite nuestro sitio web www.philips.com/support o llame gratuitamente al número 1-800-243-3050.
- Su producto está diseñado y fabricado con materiales y componentes de alta calidad, que pueden ser reciclados y reusados. Para obtener información sobre reciclado, comuníquese con las oficinas locales de manejo de desechos o visite www.recycle.philips.com

Garantía Total de Cinco Años

Philips North America LLC garantiza este producto nuevo (excepto cuchillas y peines) contra defectos en los materiales o en la mano de obra por un período de cinco años desde la fecha de compra y acepta reparar o reemplazar cualquier producto defectuoso sin cargo.

IMPORTANTE: Esta garantía no cubre ningún daño que surja como resultado de un accidente, de un uso indebido o abuso, de la falta de cuidado razonable, del uso de cualquier accesorio no provisto con el producto ni la pérdida de piezas, así como tampoco ningún daño derivado del uso del producto con una tensión o con baterías que no sean las establecidas.*

NINGUNA RESPONSABILIDAD ES ASUMIDA POR CUALQUIER DAÑO, INCIDENTAL O RESULTANTE.

Para obtener el servicio de garantía, simplemente vaya a

www.philips.com/support para asistencia. Para su protección, se sugiere que el envío de las devoluciones del producto se realice por correo certificado con seguro pagado. Cualquier daño que ocurra durante el envío no será cubierto por esta garantía.

NOTA: Philips North America LLC. no extiende ninguna otra garantía, ni escrita ni oral.

Esta garantía le proporciona derechos legales específicos; asimismo, es posible que goce de otros derechos que pueden variar de estado a estado. En algunos estados no se permite la exclusión o la limitación de los daños fortuitos o resultantes, de modo que es posible que las limitaciones o exclusiones arriba mencionadas no apliquen a su caso.

*Lea las instrucciones adjuntas atentamente.

GARANTÍA DE DEVOLUCIÓN DE SU DINERO POR 45 DÍAS

Si no está completamente satisfecho con su producto, envíelo de regreso y le reembolsaremos el total de la compra.

El producto debe enviarse por correo certificado pago, con seguro prepago, junto con el recibo original de compra, donde se indique el precio y la fecha de compra, así como el formulario de autorización para la garantía de devolución de dinero.

No asumimos ninguna responsabilidad por los paquetes perdidos.

El paquete del producto debe contar con matasellos que no supere los 45 días a partir de la fecha de compra. Philips se reserva el derecho a verificar el precio de compra del producto y limita los reembolsos al precio de venta minorista sugerido.

Para obtener el servicio de la garantía de devolución del dinero, diríjase a www.PhilipsMoneyBack.com y siga el proceso sencillo de 3 pasos.

La entrega del cheque de reembolso ocurrirá de 6 a 8 semanas después de la recepción del producto devuelto.