

PHILIPS

BT7501



© 2018 Koninklijke Philips N.V.
All rights reserved
保留所有权利
4222.002.9123.1 (20/7/2018)
> 75% 循环再造纸
保留备用



>75% recycled paper
>75% papier recyclé



2



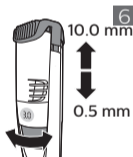
3



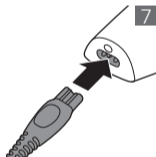
4



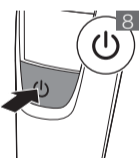
5



6



7



8



9



10



11



12



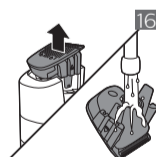
13



14



15



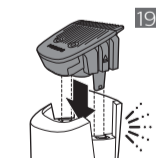
16



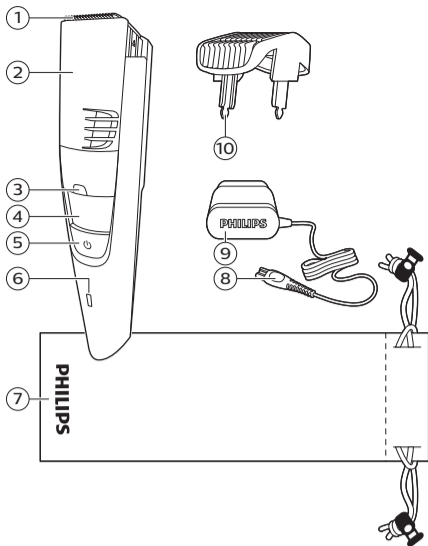
17



18



19



English

General description (Fig.1)

- 1 Cutting element
- 2 Vacuum system
- 3 Length setting display
- 4 Zoom wheel
- 5 On/off button
- 6 Battery status indicator
- 7 Pouch
- 8 Supply unit
- 9 Small plug
- 10 Beard comb

Not shown: cleaning brush, cleaning sponge

Important safety information

Read this important information carefully before you use the appliance and its accessories and save it for future reference. The accessories supplied may vary for different products.

Danger

- Keep the supply unit dry (Fig. 2).
- This symbol means: Forbidden to clean under a running tap (Fig. 2).

Warning

- To charge the battery, only use the detachable supply unit (HQ8505) provided with the appliance.
- The supply unit contains a transformer. Do not cut off the supply unit to replace it with another plug, as this causes a hazardous situation.
- This appliance can be used by children aged from 8 years and above and persons with reduced physical, sensory or mental capabilities or lack of experience and knowledge if they have been given supervision or instruction concerning use of the appliance in a safe way and understand the hazards involved. Children shall not play with the appliance. Cleaning and user maintenance shall not be made by children without supervision.
- Always check the appliance before you use it. Do not use the appliance if it is damaged, as this may cause injury. Always replace a damaged part with one of the original type.
- Do not open the appliance to replace the rechargeable battery.

Caution

- This appliance is not washable. Never immerse the appliance in water and do not rinse it under the tap (Fig. 2).
- This symbol means: Forbidden to clean under a running tap (Fig. 2).
- Only use this appliance for its intended purpose as shown in the user manual.
- For hygienic reasons, the appliance should only be used by one person.
- Never use compressed air, scouring pads, abrasive cleaning agents or aggressive liquids such as petrol or acetone to clean the appliance.
- Do not use the supply unit in or near wall sockets that contain an electric air freshener to prevent irreparable damage to the supply unit.

Electromagnetic fields (EMF)

This Philips appliance complies with all applicable standards and regulations regarding exposure to electromagnetic fields.

General

- The supply unit is suitable for mains voltages ranging from 100 to 240 volts.
- The supply unit transforms 100-240 volts to a safe low voltage of less than 24 volts.

Display

Battery status indicator

When the battery is almost empty, the light of the battery status indicator flashes orange (Fig. 3). When the appliance is charging the battery status indicator flashes white (Fig. 4). When the battery is fully charged the battery status indicator lights up white continuously (Fig. 5).

Note: The light switches off automatically after 30 minutes.

Length settings

The selected length setting is shown above the zoom wheel when you select the desired hair length setting with the zoom wheel.

Charging

Before first usage charge the appliance for 2 hours without interruptions and until the battery charging indication shows that the battery is full. This is needed to make maximum use of the battery capacity. All next charges will take 1 hour.

Charge the appliance before first use and when the bottom light of the battery status indicator flashes orange.

- 1 Make sure the appliance is switched off.
- 2 Put the supply unit in the wall socket and put the small plug in the appliance (Fig. 7).
- 3 After charging, remove the supply unit from the wall socket and pull the small plug out of the appliance.

When the appliance is fully charged, it has a cordless operating time of up to 60 minutes.

Quick charge

When the battery is empty and you connect the appliance to the wall socket, the battery charge indicator flashes quickly. When the appliance contains enough energy for one trimming session, the battery charge indicator starts flashing white slowly.

Quick charge takes approx. 5 minutes.

Using the appliance

Note: This appliance can be used without cord or directly from the wall socket.

You can use this appliance for a stubble beard and a short beard. This appliance has an integrated vacuum system that catches cut beard hair for a less messy trimming experience.

The vacuum system is activated automatically as soon as you switch on the appliance.

Note: Switch off and clean the appliance after each use.

Switching the appliance on and off

Press the on/off button once to switch the appliance on or off (Fig. 8).

Trimming without comb

- Use the appliance without beard and stubble comb to trim hair close to the skin or to contour the neckline and sideburns. To trim hair close to the skin, place the flat side of the trimming head against your skin and make strokes in the desired direction (Fig. 9).
- For contouring, hold the trimming head perpendicular to the skin and move the trimming head upwards or downwards with gentle pressure (Fig. 10).
- You can use the precision trimmer to create fine lines and contours around your facial style, close to the skin. Simply pull the cutting element straight off (Fig. 11) and insert the precision trimmer.

Trimming with comb

Note: When you trim for the first time, start at the highest length setting to familiarize yourself with the appliance.

- You can use the beard and stubble comb attached to the cutting element to groom your beard and moustache in your preferred style. For the beard and stubble comb, you can turn the zoom wheel to choose from 20 length settings ranging from 0.5mm to 10mm in steps of 0.5mm (Fig. 6).
- 1 Attach the detail comb or the beard and stubble comb onto the appliance (Fig. 12).
 - 2 Switch on the appliance.
 - 3 To trim most effectively, move the appliance against the hair growth direction (Fig. 13). Make sure that the surface of the comb always stays in contact with the skin.

Cleaning and maintenance

Cleaning the appliance

Note: Only the cutting element and the comb can be cleaned with water.

We advise you to empty the hair-collection chamber after each trimming session. When you trim long, dense beards, it may also be necessary to empty the hair-collection chamber during the trimming session in order to maintain optimal suction performance.

- 1 Switch off the appliance and disconnect it from the wall socket.
- 2 Wipe the housing of the appliance with a dry cloth.
- 3 Remove the comb (Fig. 14) and clean it with the cleaning brush and/or rinse it under the tap (Fig. 15).
- 4 Remove the cutting unit and clean it under the tap (Fig. 16). Carefully shake off excess water and let the cutting unit air-dry completely.

Caution: Never dry the cutting unit with a towel or tissue, as this may damage the trimming teeth.

- 5 Shake out the hairs that have collected in the hair chamber.
- 6 Brush out the hairs with the cleaning brush (Fig. 17) or cleaning sponge (Fig. 18) supplied.
- 7 After cleaning, reattach the cutting unit (Fig. 19) and comb (Fig. 12) to the appliance.

Recycling

- Do not throw away the product with the normal household waste at the end of its life, but hand it in at an official collection point for recycling. By doing this, you help to preserve the environment.
- This product contains a built-in rechargeable battery which shall not be disposed of with normal household waste. Please take your product to an official collection point or a Philips service center to have a professional remove the rechargeable battery.

- Follow your country's rules for the separate collection of electrical and electronic products and rechargeable batteries. Correct disposal helps prevent negative consequences for the environment and human health.

Removing the rechargeable battery

Only remove the rechargeable battery when you discard the product. Before you remove the battery, make sure that the product is disconnected from the wall socket and that the battery is completely empty.

Take any necessary safety precautions when you handle tools to open the product and when you dispose of the rechargeable battery.

- 1 Check if there are screws in the back or front of the appliance. If so, remove them.
- 2 Remove the panel above the zoom wheel to reach the screws of the appliance with a screwdriver. If necessary, also remove additional screws and/or parts until you see the printed circuit board with the rechargeable battery.
- 3 Remove the rechargeable battery.
 - 该表格中所显示的“有害物质”在产品正常使用情况下不会对人身和环境产生任何伤害。
 - 该表格中所显示的“有害物质”及其存在的部件向消费者和回收处理从业者提供相关物质的存在信息，有助于产品废弃时的妥善处理。

Warranty and support

If you need information or support, please visit www.philips.com/support or read the international warranty leaflet.

Warranty restrictions

Cutting units are not covered by the terms of the international warranty because they are subject to wear.

Troubleshooting

This chapter summarizes the most common problems you could encounter with the product. If you are unable to solve the problem with the information below, visit www.philips.com/support for a list of frequently asked questions or contact the Consumer Care Center in your country.

Problem	Possible cause	Solution
The appliance does not work.	The battery is empty.	Charge the appliance for at least 1 hour so the appliance has enough power again.
I cannot switch off the vacuum system.	The vacuum system is automatically deactivated when the appliance is switched off. It is activated automatically as soon as you switch on the appliance.	Switch off the appliance.
The vacuum system performs poorly or does not work at all.	The hair chamber is full.	Empty the hair chamber after each trimming session. First remove the cutting unit from the appliance, then empty the hair chamber by carefully shaking or blowing hair out and/or by brushing the hair out with the cleaning brush or cleaning sponge supplied. Never use water to clean the hair chamber, this may damage the appliance.
	The air holes on the appliance are covered. If they are, vacuum performance is reduced.	Make sure the air holes on the appliance are not covered.
		If the suction system performs poorly or not at all, even though the appliance is clean, not covered and used according to the instructions in the user manual, take the appliance to your local Philips dealer or call the Consumer Care Center.

PHILIPS

产品 : 飞利浦胡须造型器
 型号 : BT7501
 额定电压 : 220V~
 额定频率 : 50Hz
 额定输入功率: 9W
 生产日期 : 请见产品本体
 产地 : 中国广东广州

IPX4



飞利浦（中国）投资有限公司
 上海市静安区灵石路718号A1幢
 全国顾客服务热线: 4008 800 008

本产品根据国标 GB4706.1-2005, GB4706.9-2008制造

一般说明 (图 1)

- 1 修剪部件
 - 2 真空系统
 - 3 长度设定显示屏
 - 4 调节轮
 - 5 开/关按钮
 - 6 电池状态指示灯
 - 7 存储袋
 - 8 电源部件
 - 9 小插头
 - 10 胡须修剪梳
- 未显示: 清洁刷、清洁海绵

重要安全信息

使用本产品及其附件之前, 请仔细阅读本重要信息, 并妥善保管以供日后参考。随附的附件可能因产品而异。

危险

- 保持电源部件干燥 (图 2)。
- 警告符号注释: 禁止在打开的水龙头下进行清洗 (图 2)。

警告

- 要给电池充电, 请仅使用产品随附的可拆卸电源部件 (HQ8505)。
- 电源部件中包含一个变压器。请勿自行更换电源部件的插头, 否则将导致严重后果。
- 本产品也可以由 8 岁或以上年龄的儿童以及肢体不健全、感觉或精神上有障碍或缺乏相关经验和知识的人士使用, 但前提是有人对他们使用本产品进行监督或指导, 以确保他们安全使用, 并且让他们明白相关的危害。切勿让儿童玩弄本产品。不要让儿童在无人监督的情况下对本产品进行清洁和保养。
- 使用前, 请务必检查产品。请勿使用损坏的产品, 否则可能对人体造成伤害。请务必用原装型号更换损坏的部件。
- 切勿拆开本产品更换充电电池。

警告

- 本产品不可水洗。切勿将本产品浸入水中, 也不要在水龙头下冲洗 (图 2)。
- 警告符号注释: 禁止在打开的水龙头下进行清洗 (图 2)。
- 只能将本产品用于用户手册中所示的原定用途。
- 出于卫生的目的, 本产品只能供一个人使用。
- 切勿使用压缩气体、钢丝绒、研磨性清洁剂或腐蚀性液体 (例如汽油或丙酮) 来清洁产品。
- 请勿在包含电动空气清新器的墙壁插座上或其周围使用电源部件, 以免电源部件受到不可修复的损坏。

电磁场 (EMF)

本 Philips 产品符合所有有关暴露于电磁场的适用标准和法规。

概述

- 电源部件适合在 100 - 240 伏的电源电压下工作。
- 该电源部件可将 100-240 伏的电压转换为 24 伏以下的安全低电压。

显示屏

电池状态指示灯

当电池电量几乎耗尽时, 电池状态指示灯会呈橙色 (图 3) 闪烁。

当产品充电时, 电池状态指示灯呈白色 (图 4) 闪烁。当电池充满电后, 电池指示灯会呈白色持续 (图 5) 亮起。

注意: 指示灯将在 30 分钟后自动关闭。

长度设定

在您使用调节轮选择所需的须发长度时, 选定的长度设置将显示在调节轮上方。

充电

首次使用之前, 请为产品连续充电 2 小时, 直到电池充电指示灯会显示电池已充满。这对充分利用电池容量非常有必要。以后每次充电需要 1 小时。

在首次使用前和电池状态指示灯的底灯呈橙色闪烁时, 请为产品充电。

- 1 确保产品电源已关闭。
- 2 将电源部件插入电源插座, 然后将小插头插入本产品 (图 7)。
- 3 充电之后, 从电源插座上拔下电源部件, 并从本产品上拔下小插头。

当产品充满电时, 它可在不接电源的情况下使用长达 60 分钟。

快速充电

电池电量耗尽后, 当您产品连接到电源插座时, 电池充电指示灯会快速闪烁。本产品包含的电量足够完成一轮修剪时, 电池充电指示灯开始呈白色缓慢闪烁。

快速充电需要大约 5 分钟。

使用本产品

注意: 本产品可以不接电源或直接连在插座上使用。

您可以使用本产品修剪短茬或短胡须。本产品集成了一个真空系统, 该系统能够捕获剪下来的头发和胡须, 带给您更加整洁的修剪体验。打开本产品后, 真空系统将自动启用。

注意: 每次使用后, 请关闭并清洁产品。

打开或关闭产品

按一下开/关按钮以打开或关闭 (图 8) 产品。

不使用修剪梳修剪

- 使用不带胡须和胡茬修剪梳的产品修剪贴近皮肤的须发, 或者修整颈部和鬓角的轮廓。如需贴近皮肤修剪须发, 请将修剪刀头平坦的一侧紧贴皮肤放置, 然后按所需的方向 (图 9) 来回移动。
- 如需修剪轮廓, 请将修剪刀头垂直放在皮肤上, 并上下移动修剪刀头, 同时轻轻按压 (图 10)。
- 您可以使用不带梳齿的精确修剪器在您的面部周围以非常贴近皮肤的距离修剪出细致的线条和轮廓。只需将修剪部件直着拉下来 (图 11), 然后插入精确修剪器即可。

使用修剪梳修剪

注意: 第一次修剪时, 从最高的长度设定开始修剪, 以熟悉产品的使用方法。

- 您可以使用连接到修剪部件的胡须和短茬发梳把胡须、短茬和须髯修剪成自己喜欢的风格。对于胡须和短茬发梳，您可以转动调节轮，从 20 种长度设置中进行选择，长度范围为 0.5mm 到 10mm，每档 0.5mm (图 6)。
- 1 将细节梳齿或胡须和短茬发梳安装到产品 (图 12) 上。
 - 2 启动产品。
 - 3 如需要最高修剪效率，请逆着头发生长的方向 (图 13) 移动本产品。确保修剪梳的表面始终接触皮肤。

清洁和保养

清洁产品

注意：只有修剪部件和修剪梳才能用清水清洗。

我们建议您在每次修剪后清空胡茬收集室。在修剪长而浓密的胡须时，在修剪过程中也有必要清空胡茬收集室，以维持理想的吸入性能。

- 1 关闭产品并与电源插座断开连接。
- 2 使用干布擦拭产品表面。
- 3 取下修剪梳 (图 14)，然后用清洁刷进行清洁和/或放在水龙头 (图 15) 下冲洗。
- 4 取下修剪部件，在水龙头 (图 16) 下清洗。小心甩干多余的水，然后让修剪部件彻底晾干。

警告：切勿用毛巾或纸巾擦拭修剪部件，否则可能会损坏修剪齿。

- 5 摇动胡茬储藏室，倒出收集的胡茬。
- 6 用随附的清洁刷 (图 17) 或清洁海绵 (图 18) 刷掉胡茬。
- 7 清洁之后，将修剪部件 (图 19) 和修剪梳 (图 12) 重新安装到产品上。

回收

- 弃置本产品时，请不要将其与一般生活垃圾放在一起，应将其交给政府指定的回收中心。这样做将有利于环保。
- 此产品包含内置充电电池：请勿将充电电池与一般生活垃圾一起弃置。请您将产品送到官方收集中心或飞利浦服务中心，请专业人士移除充电电池。
- 遵循您的国家/地区有关分类回收电子电气产品和充电电池的规定。正确弃置产品有助于避免对环境和人类健康造成不良后果。

卸下充电电池

必须在丢弃本产品前拆下充电电池。卸下电池之前，请确保本产品与电源断开连接并且电池电量已耗尽。

当您使用工具打开本产品时以及在您弃置充电电池时，请采取必要的安全保护措施。

- 1 检查产品的前面和后面是否有螺丝。如果有，请将其拆下。
- 2 取下调节轮上方的面板，以便螺丝刀可以接触到产品的螺丝。必要时还需要拆下更多的螺丝和/或部件，直到您看见装有充电电池的印刷电路板为止。
- 3 卸下充电电池。

部件名称	产品中有害物质的名称及含量					
	铅 (Pb)	汞 (Hg)	镉 (Cd)	六价铬 (Cr (VI))	多溴联苯 (PBB)	多溴二苯醚 (PBDE)
PCB's 集成电路板	X	O	O	O	O	O
Electrical contact pins 电接触片	X	O	O	O	O	O
Power plug 电源插头	X	O	O	O	O	O
Internal metal parts 内部金属件	X	O	O	O	O	O

本表格依据 SJ/T 11364 的规定编制。

O: 表示该有害物质在该部件所有均质材料中的含量均在 GB/T 26572 规定的限量要求以下。

X: 表示该有害物质至少在该部件的某一均质材料中的含量超出 GB/T 26572 规定的限量要求。

- 该表格中所显示的“有害物质”在产品正常使用情况下不会对人身和环境产生任何伤害。
- 该表格中所显示的“有害物质”及其存在的部件向消费者和回收处理从业者提供相关物质的存在信息，有助于产品废弃时的妥善处理。

保修和支持

如需信息或支持，请访问 www.philips.com/support 或阅读国际保修卡。

保修条款

修剪部件不在国际保修条款的涵盖范围之内，因为修剪部件属于易磨损物品。

故障处理方法

本章归纳了使用本产品最常遇到的问题。如果您无法根据以下信息解决问题，请访问 www.philips.com/support 查阅常见问题列表，或联系您所在国家/地区的客户服务中心。

问题	可能的原因	解决方法
产品无法工作。	电池已耗尽。	要给本产品充电至少 1 个小时，这样产品就会再次拥有充足的电量。
我无法关闭真空系统。	关闭本产品后，真空系统将自动停用。打开本产品后，该系统将自动启用。	关闭产品。
真空系统效果不佳或根本不工作。	胡茬储藏室已满。	每次修剪后清空胡茬储藏室。首先将修剪部件从产品上取下，然后小心地晃动产品或将胡茬吹出，并且/或者用随附的清洁刷或清洁海绵将胡茬刷出。切勿用水清洗胡茬储藏室，否则可能会损坏产品。
	产品上的气孔被覆盖。这样的话，真空性会下降。	请确保产品上的气孔位被覆盖。
		如果吸入系统性能不佳或完全不工作，那么即使产品清洁、未被覆盖并且是按用户手册中的说明使用，也要将产品送往您当地的飞利浦经销商处获致电客户服务中心。

PHILIPS

产品 : 飞利浦胡须造型器
型号 : BT7501
额定电压 : 220V~
额定频率 : 50Hz
额定输入功率: 9W
生产日期 : 请见产品本体
产地 : 中国广东广州

IPX4



飞利浦(中国)投资有限公司
上海市静安区灵石路718号A1幢
全国顾客服务热线: 4008 800 008

本产品根据国标 GB4706.1-2005,
GB4706.9-2008制造