

BT5511



Manufactured for: Philips Personal Health
a division of Philips North America LLC
P.O. Box 10313, Stamford, CT 06904, USA



This symbol on the product's nameplate means it is listed by Underwriters' Laboratories, Inc.

Norelco is a registered trademark of Philips North America LLC.

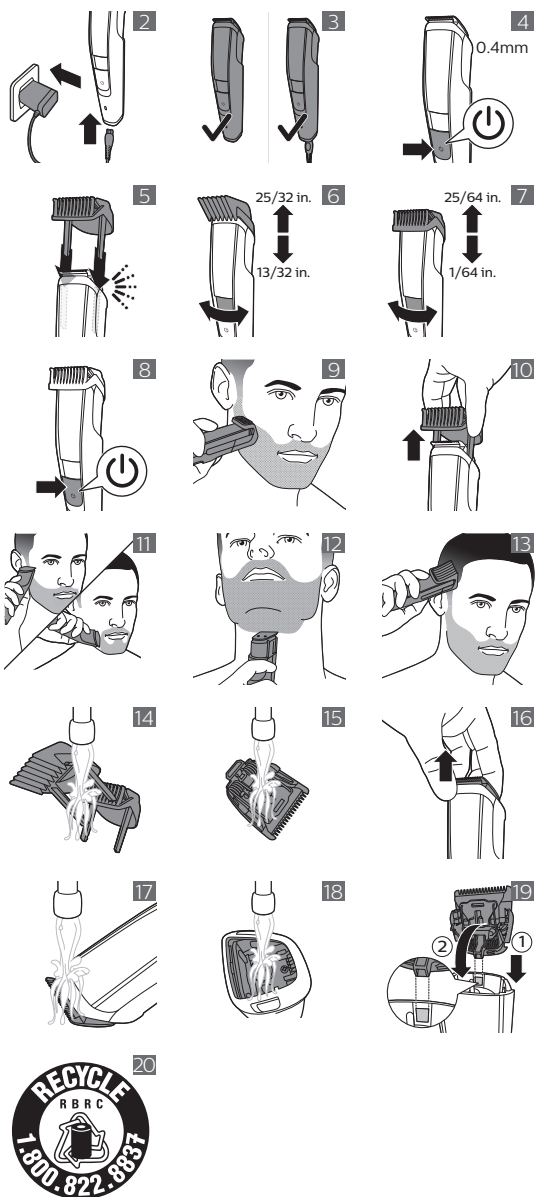
PHILIPS and Philips shield are registered trademarks of Koninklijke Philips N.V.

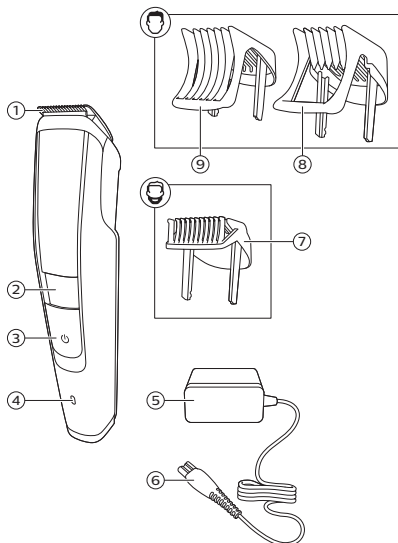
©2018 Philips North America LLC. All rights reserved.

4222.002.9117.1 (8/3/2018)



>75% recycled paper
>75% papier recyclé





English

IMPORTANT SAFETY INSTRUCTIONS

When using an electric product, basic precautions should always be followed, including the following:

Read all instructions before using this product.

DANGER

To reduce the risk of electric shock:

- Do not reach for a corded product that has fallen into water. Unplug immediately from the power outlet.
- Use product only in dry condition. Do not use while bathing or in a shower.
- Do not place or store the product where it can fall or be pulled into a tub or sink. Do not place or drop the product into water or other liquid.
- Except when charging, always unplug this product from the power outlet immediately after use.
- Remove power cord from power outlet and product before cleaning.

WARNING

To reduce the risk of burns, fire, electric shock, or injury to persons:

- Close supervision is required when this product is used by, on, or near children, or persons with limited physical, sensory, or mental capabilities or invalids.
- Use this product only for its intended household use as described in this manual. Do not use attachments not recommended by Philips North America LLC.
- Never operate this product if it has a damaged power cord, if it is not working properly, after it has been dropped or damaged, or after the product or power cord has been dropped into water. For assistance call 1-800-243-3050.
- Keep the power cord away from heated surfaces.
- Never drop or insert any object into any opening.
- Do not use the power cord in or near a power outlet that contains an electric air freshener to prevent damage to the power cord.
- Do not use product outdoors or operate where aerosol (spray) products are being used or where oxygen is being administered.
- Always check cutters, cutting unit and guards before using the product. Do not use the product if cutters, cutting unit or guards are damaged, as injury may occur.
- Always attach power cord to product first, then to power outlet. To disconnect, set all controls to 'off' position. Then remove power cord from power outlet.
- Plug power cord directly into power outlet. Do not use an extension cord.
- Unplug power cord before plugging in or unplugging the product.

- Only use the power cord and other accessories supplied with the product.
- Do not attempt to open the product to remove or replace the built-in rechargeable battery.
- The batteries used in this product may present a fire or chemical burn hazard if mistreated. Do not disassemble, heat above 100°C (212°F) or incinerate.

IMPORTANT: The power plug contains a transformer. Do not cut off the power plug to replace it with another plug as this will cause a hazardous condition.

SAVE THESE INSTRUCTIONS

Introduction

Congratulations on your purchase and welcome to Philips Norelco!

To fully benefit from the support that Philips Norelco offers, register your product at www.norelco.com/register.

General description (Fig. 1)

- 1 Cutting unit
 - 2 Zoom wheel
 - 3 On/off switch
 - 4 Battery charge indicator
 - 5 Power plug
 - 6 Small plug
 - 7 Beard and stubble comb
 - 8 Long hair comb
 - 9 Short hair comb
- Not shown: cleaning brush

Charging

Battery status indicator

- When the battery is almost empty, the battery charge indicator flashes orange.
- When the product is charging, the battery charge indicator flashes white.
- When the product is fully charged, the battery charge indicator lights up white continuously.

Note: After approx. 30 minutes, the light goes out automatically.

Charging with the power cord

Charge the product fully before you use it for the first time and after a long period of disuse.

- Charging or using the product at temperatures below 40°F (4,5°C) or higher than 95°F (35°C) adversely affects the lifespan of the battery.
- If the product is subjected to a major change in temperature, pressure or humidity, let the product acclimatize for 30 minutes before use.

It takes approximately 1 hour to fully charge the product. When it is fully charged, the product has a cordless operating time of up to 100 minutes.

- 1 Make sure the product is turned off.
- 2 Insert the small plug into the product and put the power plug in any 120V AC outlet (Fig. 2).
- 3 After charging, remove the power plug from the wall outlet and pull the small plug out of the product.

Note: An adapter plug may be necessary for cord usage in some foreign countries. Use an attachment plug adapter of the proper configuration for power outlet.

Using the product

Always check the product and all accessories before using. Do not use the product or any accessory if it is damaged, as this may cause injury. Always replace a damaged part with one of the original type.

- Use this product for its intended household use as described in this manual.
- For hygienic reasons, the product should only be used by one person.
- Note: This appliance can be used without cord or when it is connected to the wall socket (Fig. 3).

Turning the product on and off

- Press the on/off button once to turn the product on or off (Fig. 4).

Beard trimming

Trimming with guard

Note: When you trim for the first time, start at a length setting that is longer than what you are used to, to familiarize yourself with the product.

This product comes with one beard and stubble guard.

- Use the trimming guard attached to the cutting element to trim your beard, stubble and mustache in your preferred style. Turn the zoom wheel to choose from 10 length settings ranging from 0.4mm (1/64 in.) to 10mm (25/64 in.) (Fig. 7). The length settings are mentioned at the back of the guards.
- 1 Make sure the product is turned off.
 - 2 Slide the guard into the guiding grooves on both sides of the product ('click') (Fig. 5).
 - 3 Turn the zoom wheel to select the desired length setting (Fig. 6). The selected length setting is shown on the front of the handle. For the beard and stubble guard: the silver color refers to length settings ranging from 0.4mm (1/64 in.) to 10mm (25/64 in.) (Fig. 6).
 - 4 Turn on the product (Fig. 8).
 - 5 To trim most effectively, move the product against the hair growth direction. Make sure that the surface of the guard always stays in contact with the skin (Fig. 9).

Since all hairs do not grow in the same direction, you may want to try different trimming positions (i.e. upwards, downwards, or across). Practice is best for optimum results.

- 6 If a lot of hair has accumulated in the guard, remove it from the product and blow and/or shake out the hairs. Regularly remove cut hair from the guard. The selected hair length setting does not change when the guard is removed.
- 7 Turn off and clean the product after each use (see 'Cleaning').

Trimming without guard

If you trim without the guard (0.4mm or 1/64 in.), your hair is cut close to the skin. You can use the trimming head without the guard to:

- Define hair line
 - Trim nape of neck
 - Remove single unwanted hairs
- 1 Make sure the product is turned off.
 - 2 Pull the comb off the product (Fig. 10).
 - Never pull at the flexible top of the comb. Always pull at the sides.
 - 3 Turn on the product.
 - 4 Make well-controlled movements. Touch the hair lightly with the trimmer.
 - For a comfortable trim close to your skin, place the flat side of the trimming head against your skin and make strokes in the desired direction (Fig. 11).
 - For contouring, hold the trimming head perpendicular to the skin and move the trimming head upwards or downwards with gentle pressure (Fig. 12).
 - 5 Turn off and clean the product after each use (see 'Cleaning').

Hair clipping

- For best results, use the product on clean, dry hair. Do not use it on freshly washed hair.
- Before you start clipping, comb the hair in the direction of hair growth.
- When you trim for the first time, start at the highest length setting to familiarize yourself with the product.
- To achieve optimal clipping results, always move the product slowly through the hair against the direction of hair growth.

- 1 Make sure the product is turned off.
- 2 Slide the comb into the guiding grooves on both sides of the product ('click') (Fig. 5).
- 3 Turn the zoom wheel to select the desired length setting (Fig. 7Fig. 6). The selected length setting is shown on the front of the product.

- Short hair guard: select a length setting from the silver color, ranging from 0.4mm (1/64 in.) to 10mm (25/64 in.) (Fig. 7).
 - Long hair guard: select a length setting from the blue color, ranging from 10.4mm (13/32 in.) to 20mm (25/32 in.) (Fig. 6).
- 4 Turn on the product (Fig. 8).
 - 5 Move the product slowly through the hair, making sure the surface of the guard stays in contact with the skin (Fig. 13).
 - Regularly remove cut hairs from the guard. If a lot of hairs have accumulated in the guard, detach the guard from the product and blow and/or shake the hairs out of it.
 - 6 Turn off and clean the product after each use (see 'Cleaning').

Tip: Write down the settings you have used to create a certain hairstyle as a reminder for future clipping sessions.

Cleaning

Never use scouring pads, abrasive cleaning agents or aggressive liquids such as petrol or acetone to clean the appliance.

Clean the product after each use.

- 1 Turn off the product and disconnect it from the wall outlet.
- 2 Wipe the housing of the product with a dry cloth.
- 3 Remove the comb (Fig. 10) and clean it with the cleaning brush and/or rinse it under the tap (Fig. 14).
- 4 Clean the cutting unit with the cleaning brush and/or rinse it under the tap (Fig. 15Fig. 17).
- 5 Carefully shake off excess water and let the all parts air dry completely.

Never dry the trimmer teeth with a towel or tissue, as this may damage the trimmer teeth.

- 6 After cleaning, reattach the comb (Fig. 5) to the product.

Every 3 months: cleaning trimming head connector

- 1 Turn off the product and disconnect it from the wall outlet.
- 2 Remove the guard (Fig. 10).
- 3 Pull the cutting unit off the product (Fig. 16).
- 4 Clean the trimming head connector and hair chamber with the cleaning brush and/or rinse them under the tap (Fig. 18).
- 5 Clean the inside of the trimming head with the cleaning brush and/or rinse it under the tap (Fig. 15).
- 6 Carefully shake off excess water and let all parts dry completely.
- 7 Press the trimming head back on the product. Make sure the projection on the back of the trimming head fits exactly onto the notch in the hair chamber (Fig. 19).

This product has no other user-serviceable parts. For assistance call 1-800-243-3050.

Accessories

Accessories may be purchased at a store near you or on our website www.philips.com/store.

Assistance

For assistance, visit our website:

www.philips.com/support or call toll free 1-800-243-3050.

Online information is available 24 hours a day, 7 days a week.

Full Five-Year Warranty

Philips North America LLC warrants this new product (except blade and guards) against defects in materials or workmanship for a period of five years from the date of purchase, and agrees to repair or replace any defective product without charge.

IMPORTANT: This warranty does not cover damage resulting from accident, misuse or abuse, lack of reasonable care, the affixing of any attachment not provided with the product or loss of parts or subjecting the product to any but the specified voltage or batteries.*

NO RESPONSIBILITY IS ASSUMED FOR ANY SPECIAL, INCIDENTAL OR CONSEQUENTIAL DAMAGES.

In order to obtain warranty service, simply go to **www.philips.com/support** for assistance. It is suggested that for your protection you return shipments of product by insured mail, insurance prepaid. Damage occurring during shipment is not covered by this warranty.

NOTE: No other warranty, written or oral, is authorized by Philips North America LLC.

This warranty gives you specific legal rights, and you may also have other rights which vary from state to state. Some states do not allow the exclusion or limitation of incidental or consequential damages, so the above exclusion and limitations may not apply to you.

*Read enclosed instructions carefully.

45-DAY MONEY-BACK GUARANTEE

If you are not fully satisfied with your product send the product back and we'll refund you the full purchase price.

The product must be shipped prepaid by insured mail, insurance prepaid, have the original sales receipt, indicating purchase price and date of purchase, and the money-back guarantee return authorization form enclosed.

We cannot be responsible for lost mail.

The product must be postmarked no later than 45 days after the date of purchase. Philips reserves the right to verify the purchase price of the product and limit refunds not to exceed suggested retail price.

To obtain money-back guarantee return authorization form, call 1-800-243-3050 for assistance.

Delivery of refund check will occur 6–8 weeks after receipt of returned product.

Español

INSTRUCCIONES IMPORTANTES DE SEGURIDAD

Cuando utilice un producto eléctrico, siempre debe seguir las precauciones básicas, incluidas las siguientes:

Lea todas las instrucciones antes de usar este producto.

PELIGRO

Para reducir el riesgo de descarga eléctrica:

- No intente agarrar un producto con cable que haya caído al agua. Desconéctelo inmediatamente del enchufe de la pared.
- Use el producto únicamente si está seco. No lo use mientras se baña en la tina ni en la ducha.
- No coloque ni guarde el producto en un lugar desde donde pueda caerse a una bañera o fregadero. No coloque el producto en un lugar desde donde pueda caerse al agua o a cualquier otro líquido ni sumerja el producto en ningún tipo de líquido.
- Excepto cuando se esté cargando, siempre desenchufe este producto del tomacorriente de pared inmediatamente después de usarlo.
- Desconecte el cable de alimentación del enchufe de pared y del producto antes de limpiarlo.

ADVERTENCIA

Para reducir el riesgo de quemaduras, incendio, descarga eléctrica o lesiones:

- El uso de este dispositivo debe estar bajo estricta supervisión cuando esté operado por niños, por personas con capacidades mentales, sensoriales o físicas limitadas o por personas con discapacidades, o cuando se emplee en o cerca de estos.
- Use este producto solo para el uso doméstico previsto como se describe en este manual. No use accesorios que no estén recomendados por la corporación Philips North America LLC.

- Nunca utilice este producto si el cable o el enchufe de carga están dañados, si no funciona correctamente, si se cayó, si está dañado o si se sumergió en agua mientras estaba conectado a la alimentación eléctrica. Para solicitar asistencia, comuníquese al 1-800-243-3050.
- Mantenga el cable de alimentación lejos de superficies calientes.
- No deje caer ni introduzca ningún objeto en ninguna abertura.
- No utilice el adaptador dentro o cerca de una salida de corriente que contenga un ventilador de aire eléctrico para prevenir daño al adaptador.
- No use el producto a la intemperie ni lo use donde se estén usando productos de aerosol (atomizador) o donde se esté administrando oxígeno.
- Siempre controle las cuchillas, la unidad de corte y los peines antes de usar el producto. No use el producto si las cuchillas, la unidad de corte o los peines están dañados, ya que puede producirse una lesión.
- Siempre conecte la clavija al producto primero y, luego, al tomacorriente. Para desconectar, gire el interruptor de encendido/apagado a la posición de "APAGADO" y, luego, desenchufe la clavija del tomacorriente.
- Enchufe el cable de alimentación directamente en el toma corriente. No use un cable de extensión.
- Desconecte el cable de alimentación antes de conectar o desconectar el producto.
- Utilice únicamente el cable de alimentación y los accesorios suministrados con el producto
- No intente abrir el producto para retirar o reemplazar la batería recargable integrada.
- Las baterías que se emplean en este producto pueden representar un riesgo de incendio o de quemadura química si no se manipulan correctamente. No desarme, incinere ni permita que la temperatura de las baterías supere los 100 °C (212 °F).

¡IMPORTANTE! El enchufe eléctrico contiene un transformador. No corte el enchufe eléctrico para reemplazarlo con otro ya que esto puede producir una condición de peligro.

CONSERVE ESTAS INSTRUCCIONES

Introducción

¡Felicitaciones por su compra y bienvenido a Philips Norelco!

Para beneficiarse completamente del soporte que ofrece Philips Norelco, registre el producto en www.norelco.com/register.

Descripción general (Fig. 1)

- 1 Unidad de cortado
- 2 Selector de longitud
- 3 Interruptor de encendido/apagado
- 4 Indicador de carga de la batería
- 5 Conector eléctrico
- 6 Enchufe pequeño
- 7 Peine de barba y de barba de pocos días
- 8 Peine para cabello largo
- 9 Peine para cabello corto

No se muestra: cepillo de limpieza

Carga

Indicaciones de estado de batería

- Cuando la batería está casi agotada, el indicador de carga de batería destella en color naranja.
- Cuando el producto se está cargando, el indicador de carga de batería destella en color blanco.
- Cuando el producto está totalmente cargado, el indicador de carga de batería se ilumina en blanco continuamente.

Nota: Después de aproximadamente 30 minutos, la luz se apaga automáticamente.

Carga con el cable de alimentación

Cargue el producto completamente antes de usarlo por primera vez y después de un largo periodo de no usarlo.

- La carga, recarga o el uso del producto a temperaturas por debajo de los 40° F (4.5° C) o superiores a los de 95° F (35° C) afecta la vida útil de la batería.
- Si el producto está sujeto a un cambio de temperatura, presión o humedad de consideración, deje aclimatar el producto durante 30 minutos antes de utilizarlo.

Se tarda aproximadamente 1 hora en cargar totalmente el producto. Cuando este está totalmente cargado, posee una autonomía de funcionamiento de hasta 100 minutos sin cable.

- 1 Asegúrese de que el producto esté apagado.
- 2 Inserte la clavija pequeña en el producto y conecte la clavija de alimentación en cualquier tomacorriente de pared de 120 V CA (Fig. 2).
- 3 Después de realizar la carga, retire el enchufe del tomacorriente y retire la clavija pequeña del producto.

Nota: Es posible que se requiera un enchufe adaptador para el uso del cable en algunos países extranjeros. Use un enchufe adaptador compatible con la configuración del tomacorriente.

Uso del producto

Siempre revise el producto y todos los accesorios antes de usarlo. No use el producto ni ningún accesorio si está dañado, ya que esto puede causar alguna lesión. Siempre reemplace una pieza dañada con una del tipo original.

Siempre revise el producto y todos los accesorios antes de usarlo. No use el producto ni ningún accesorio si está dañado, ya que esto puede causar alguna lesión. Siempre reemplace una pieza dañada con una del tipo original.

- Use este producto para su uso previsto en el hogar, según se describe en este manual.
- Por motivos de higiene, el producto debe emplearse únicamente por una persona.
- Nota: Este dispositivo puede usarse sin el cable o conectado directamente al enchufe de pared (Fig. 3).

Encendido y apagado del producto

- Presione el botón de encendido/apagado una vez para encender o apagar el producto (Fig. 4).

Recortadora de barba

Cortar con protector

Nota: Cuando realice el primer recorte, empiece en un ajuste de longitud superior a lo acostumbrado para que se familiarice con el producto.

Este producto viene con una protección para barba y rastrojo.

- Use el protector para cortar en el elemento de cortado para recortar la barba, rastrojo y el bigote en su estilo preferido. Gire el selector de longitud para elegir de entre 10 ajustes desde 0.4 mm (1/64 in.) a 10 mm (25/64 in.) (Fig. 7). Los ajustes de longitud se encuentran en la parte posterior de las protecciones.
- 1 Asegúrese de que el producto esté apagado.
 - 2 Deslice el protector directo dentro de las ranuras guía en ambos lados del producto ("clic") (Fig. 5).
 - 3 Gire el selector de longitud para seleccionar el ajuste deseado (Fig. 6). El ajuste de la longitud seleccionado se muestra en la parte delantera del mango. Para la protección de la barba y rastrojo: el color plateado tiene los ajustes de longitud que van desde 0.4 mm (1/64 pulg.) a 10 mm (25/64 pulg.) (Fig. 6).
 - 4 Encienda el producto (Fig. 8).
 - 5 Para lograr un recorte más efectivo, desplace el producto a contrapelo. Asegúrese de que la superficie del protector esté siempre en contacto con la piel (Fig. 9).

Ya que todo el cabello no crece en la misma dirección, sería recomendable que tratara diferentes posiciones de cortado (por ejemplo, hacia arriba, hacia abajo o hacia los lados). La práctica le ayudará a lograr óptimos resultados.

- 6 Si se acumuló mucho cabello en la protección, saque el peine del producto y sople o sacúdalo. Elimine el cabello cortado del protector. El ajuste de longitud de cabello seleccionado no cambia cuando se quita la protección.
- 7 Apague y limpie el producto después de usarlo (see 'Limpieza').

Cortar sin el protector

Si recorta sin la protección (0.4 mm o 1/64 pulg.), su cabello se cortará muy cerca de la piel. Puede usar el cabezal de cortado sin protección para:

- Definir el contorno del cabello
 - Cortar el cabello de la nuca
 - Retirar cabellos individuales no deseados
- 1 Asegúrese de que el producto esté apagado.
 - 2 Saque el peine del producto (Fig. 10).
 - Nunca jale de la parte flexible de arriba del peine. Siempre jale de los lados.
 - 3 Encienda el producto.
 - 4 Realice movimientos controlados. Toque el cabello ligeramente con la cortadora.
 - Para un corte cómodo cerca de la piel, coloque el lado plano del cabezal de cortado contra su piel y realice movimientos en la dirección deseada (Fig. 11).
 - Si desea dar forma a un área específica, sostenga el cabezal de la cortadora perpendicular a la piel y deslícelo hacia arriba y hacia abajo aplicando una presión suave (Fig. 12).
 - 5 Apague y limpie el producto después de usarlo (see 'Limpieza').

Corte de cabello

- Para mejores resultados, use el producto con el cabello limpio y seco. No lo utilice en cabello mojado.
 - Antes de comenzar a cortar, peine el cabello en la dirección de crecimiento.
 - Cuando realice el primer recorte, empiece en el ajuste de longitud más alto para que se familiarice con el producto.
 - Para lograr óptimos resultados, siempre mueva el producto por el cabello despacio y a contrapelo.
- 1 Asegúrese de que el producto esté apagado.
 - 2 Deslice el peine dentro de las ranuras guía en ambos lados del producto ("clic") (Fig. 5).
 - 3 Gire el selector de longitud para seleccionar el ajuste deseado (Fig. 7Fig. 6). El ajuste de longitud seleccionado se muestra en la parte delantera del producto.
 - Protección para cabello corto: seleccione el ajuste de longitud del color plateado, con un rango de longitud de 0.4 mm (1/64 pulg.) a 10 mm (25/64 pulg.) (Fig. 7).
 - Protección para cabello largo: seleccione el ajuste de longitud del color azul, con un rango de longitud de 10.4 mm (13/32 pulg.) a 20 mm (25/32 pulg.) (Fig. 6).
 - 4 Encienda el producto (Fig. 8).
 - 5 Mueva el producto despacio a través del cabello, asegurándose de que la superficie del protector esté siempre en contacto con la piel (Fig. 13).
 - Elimine el cabello cortado del protector con regularidad. Si se acumuló mucho cabello en la protección, despréndala del producto y sople o sacuda el cabello para eliminarlo.
 - 6 Apague y limpie el producto después de usarlo (see 'Limpieza').

Sugerencia: Anote los ajustes que usó para crear ciertos estilos como recordatorio para sesiones de corte futuras.

Limpieza

No utilice esponjas ni limpiadores o líquidos abrasivos como bencina o acetona para limpiar el aparato.

Limpie el producto después de cada uso.

- 1 Apague el producto y desconéctelo del tomacorriente.

- 2 Limpie la carcasa del producto con un paño seco.
- 3 Retire el peine (Fig. 10) y límpielo con el cepillo de limpieza o enjuáguelo en el grifo (Fig. 14).
- 4 Limpie la unidad de cortado con el cepillo limpiador y/o enjuáguela bajo la llave (Fig. 15Fig. 17).
- 5 Elimine cuidadosamente el exceso de agua y deje todas las partes secar al aire completamente.

Nunca seque los dientes de la cortadora con una toalla o paño, ya que esto puede dañar el dentado de recorte.

- 6 Después de limpiarlo, vuelva a colocar el peine (Fig. 5) en el producto.

Cada 3 meses: Limpieza del conector del cabezal cortador

- 1 Apague el producto y desconéctelo del tomacorriente.
- 2 Quite el protector (Fig. 10).
- 3 Saque la unidad de cortado del producto (Fig. 16).
- 4 Limpie el conector del cabezal de recorte y la cámara recolectora de vello con un cepillo limpiador o enjuáguelos bajo la llave (Fig. 18).
- 5 Limpie el interior del cabezal de cortado con el cepillo limpiador o enjuáguelo bajo la llave (Fig. 15).
- 6 Elimine cuidadosamente el exceso de agua y deje secar todas las partes completamente.
- 7 Presione el cabezal de cortado para volverlo a colocar en el producto. Asegúrese de que los salientes en la parte posterior del cabezal de cortado se ajusten exactamente en la ranura de la cámara de acumulación de vello (Fig. 19).

Este producto no contiene otras piezas que requieran mantenimiento. Para solicitar asistencia, comuníquese al 1-800-243-3050.

Accesorios

Los accesorios se pueden adquirir en la tienda más cercana a su domicilio o a través de nuestro sitio **web** www.philips.com/store.

Asistencia

Para asistencia, visite nuestro sitio web: www.philips.com/support o llame al número gratuito 1-800-243-3050.

La información en línea está disponible las 24 horas, los siete días de la semana.

Garantía Total de Cinco Años

Philips North America LLC garantiza este producto nuevo (excepto cuchillas y peines) contra defectos en los materiales o en la mano de obra por un período de cinco años desde la fecha de compra y acepta reparar o reemplazar cualquier producto defectuoso sin cargo.

IMPORTANTE: Esta garantía no cubre ningún daño que surja como resultado de un accidente, de un uso indebido o abuso, de la falta de cuidado razonable, del uso de cualquier accesorio no provisto con el producto ni la pérdida de piezas, así como tampoco ningún daño derivado del uso del producto con una tensión o con baterías que no sean las establecidas.*

NINGUNA RESPONSABILIDAD ES ASUMIDA POR CUALQUIER DAÑO, INCIDENTAL O RESULTANTE.

Para obtener el servicio de garantía, simplemente vaya a www.philips.com/support para asistencia. Para su protección, se sugiere que el envío de las devoluciones del producto se realice por correo certificado con seguro pagado. Cualquier daño que ocurra durante el envío no será cubierto por esta garantía.

NOTA: Philips North America LLC. no extiende ninguna otra garantía, ni escrita ni oral.

Esta garantía le proporciona derechos legales específicos; asimismo, es posible que goce de otros derechos que pueden variar de estado a estado. En algunos estados no se permite la exclusión o la limitación de los daños fortuitos o resultantes, de modo que es posible que las limitaciones o exclusiones arriba mencionadas no apliquen a su caso.

*Lea las instrucciones adjuntas atentamente.

GARANTÍA DE DEVOLUCIÓN DE SU DINERO POR 45 DÍAS

Si no está completamente satisfecho con su producto, envíelo de regreso y le reembolsaremos el total de la compra.

El producto debe enviarse por correo certificado pago, con seguro prepago, junto con el recibo original de compra, donde se indique el precio y la fecha de compra, así como el formulario de autorización para la garantía de devolución de dinero.

No asumimos ninguna responsabilidad por los paquetes perdidos.

El paquete del producto debe contar con matasellos que no supere los 45 días a partir de la fecha de compra. Philips se reserva el derecho a verificar el precio de compra del producto y limita los reembolsos al precio de venta minorista sugerido.

Para obtener el formulario de autorización para la garantía de devolución del dinero, llame al 1-800-243-3050 para obtener asistencia.

La entrega del cheque de reembolso ocurrirá de 6 a 8 semanas después de la recepción del producto devuelto.