

User manual



Register your product and get support at

www.philips.com/support

Contents

1 Important	1
Safety	1
Notice	1

2 Your Bluetooth speaker	3
Introduction	3
What's in the box	3
Overview of the speaker	4

3 Get started	4
Turn on/off	4
Check the battery level	4
Charge the built-in battery	5

4 Play from Bluetooth devices	6
Connect a Bluetooth device	6
Play from a connected Bluetooth device	7
Disconnect a device	7
Reconnect a device	7
Clear pairing information	7
Control your phone call	7

5 Other features	8
Listen to an external device	8
Adjust volume	9
Attach the lanyard cable	9

6 Specifications	9
-------------------------	----------

7 Troubleshooting	10
General	10
About Bluetooth device	10

1 Important

Safety



Warning

- Never remove the casing of this speaker.
 - Never place this speaker on other electrical equipment.
 - Keep this speaker away from direct sunlight, naked flames or heat.
-
- Only use attachments or accessories specified by the manufacturer.
 - The battery shall not be exposed to excessive heat such as sunshine, fire or the like.
 - Do not place any sources of danger on the speaker (e.g. lighted candles).
 - The speaker can meet IP57 waterproof standard only when the USB/AUDIO IN socket cover is covered seamlessly.
 - If your speaker gets wet, clean with a soft dry cloth and then let it dry completely in a well-ventilated place before use next time.
 - The operation temperature of the product is from -10 °C to 40 °C.
 - For safety reasons, the battery will not be charged if the battery temperature is below 0 °C or above 40 °C.



Note

- The type plate is located on the back of the speaker.

Notice

Any changes or modifications made to this device that are not expressly approved by Gibson Innovations may void the user's authority to operate the equipment.

Notice of compliance (for the USA and Canada)

The device complies with Part 15 of the FCC Rules. Operation is subject to the following two conditions:

- 1** This device may not cause harmful interference, and
- 2** This device must accept any interference received, including interference that may cause undesired operation.

FCC rules

This equipment has been tested and found to comply with the limits for a Class B digital device, pursuant to part 15 of the FCC Rules. These limits are designed to provide reasonable protection against harmful interference in a residential installation. This equipment generates, uses and can radiate radio frequency energy and, if not installed and used in accordance with the instruction manual, may cause harmful interference to radio communications.

However, there is no guarantee that interference will not occur in a particular installation. If this equipment does cause harmful interference to radio or television reception, which can be determined by turning the equipment off and on, the user is encouraged to try to correct the interference by one or more of the following measures:

- Relocate the receiving antenna.

- Increase the separation between equipment and receiver.
- Connect the equipment into an outlet on a circuit different from that to which the receiver is connected.
- Consult the dealer or an experienced radio/TV technician for help.

FCC Radiation Exposure Statement

This equipment complies with FCC radiation exposure limits set forth for an uncontrolled environment.

This transmitter must not be co-located or operating in conjunction with any other antenna or transmitter.

Canada

This device complies with Industry Canada licence-exempt RSS standard(s). Operation is subject to the following Two conditions: (1) this device may not cause harmful interference, and (2) this device must accept any interference received, including interference that may cause undesired operation.

CAN ICES-3(B)/NMB-3(B)

IC Radiation Exposure Statement

This equipment complies with Canada radiation exposure limits set forth for uncontrolled environments.

This transmitter must not be co-located or operating in conjunction with any other antenna or transmitter.

Caution: The user is cautioned that changes or modifications not expressly approved by the party responsible for compliance could void the user's authority to operate the equipment.



Care of the environment

Disposal of your old product and battery



Your product is designed and manufactured with high quality materials and components, which can be recycled and reused.

This product may contain lead and mercury. Disposal of these materials may be regulated due to environmental considerations. For disposal or recycling information, please contact your local authorities or visit www.recycle.philips.com.

This product contains non-removable batteries:

- Do not incinerate. Batteries may explode if overheated.
- For disposal or recycling information, please contact your local authorities or visit www.recycle.philips.com.

! Caution

- Removal of the built-in battery invalidates the warranty and may destroy the product.

Always bring your product to a professional to remove the built-in battery.

Environmental information

All unnecessary packaging has been omitted. We have tried to make the packaging easy to separate into three materials: cardboard (box), polystyrene foam (buffer) and polyethylene (bags, protective foam sheet.)

Your system consists of materials which can be recycled and reused if disassembled by a specialized company. Please observe the local regulations

regarding the disposal of packaging materials, exhausted batteries and old equipment.

Trademark notice



The Bluetooth® word mark and logos are registered trademarks owned by Bluetooth SIG, Inc. and any use of such marks by Gibson Innovations Limited is under license. Other trademarks and trade names are those of their respective owners.

2 Your Bluetooth speaker

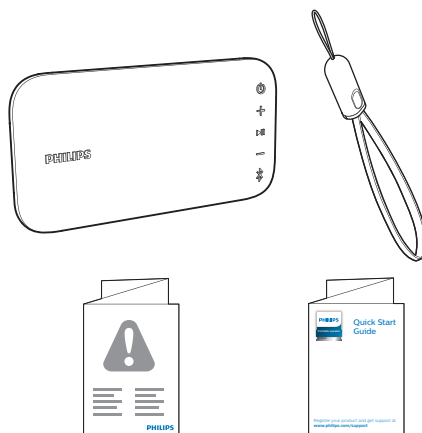
Congratulations on your purchase, and welcome to Philips! To fully benefit from the support that Philips offers, register your product at www.philips.com/welcome.

Introduction

With this speaker, you can enjoy audio from Bluetooth-enabled devices or other external audio devices through a 3.5mm audio-in cable.

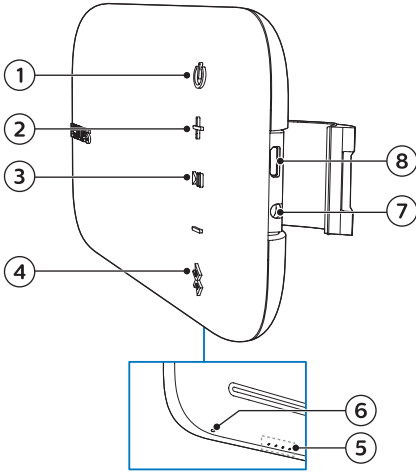
What's in the box

Check and identify the contents of your package:



- Speaker
- USB lanyard cable
- Printed materials

Overview of the speaker

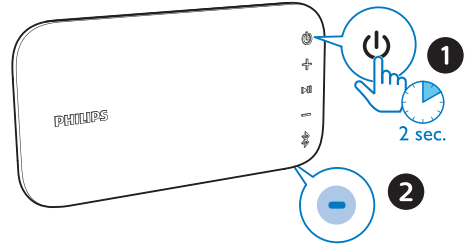


- ①
 - Turn the speaker on or off.
 - Check the battery level.
- ②
 - Adjust volume.
- ③
 - In Bluetooth mode, press to pause or resume play.
 - In Bluetooth mode, press twice to play the next track.
 - Respond to an incoming call through Bluetooth connection.
- ④
 - Enter Bluetooth pairing mode.
 - Clear Bluetooth pairing information.
- ⑤ **Battery level indicators**
 - Show the charging progress.
 - Show the battery level.
- ⑥ **Bluetooth indicator**
 - Show the Bluetooth status.
- ⑦ **AUDIO IN**
 - Connect an external audio device.
- ⑧
 - Charge the built-in battery.

3 Get started

Always follow the instructions in this chapter in sequence.

Turn on/off



- To turn the speaker on, press and hold for over two seconds.
 - ↳ The Bluetooth indicator starts flashing.
 - ↳ The battery level indicators light up briefly.
 - ↳ The speaker beeps.
- To turn the speaker off, press and hold for two seconds again.

Note

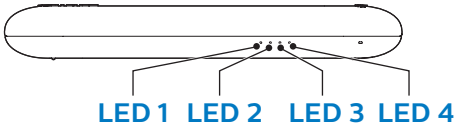
- When there is no Bluetooth connection for 15 minutes or the battery is at low level, the speaker turns off automatically to save power.

Check the battery level

The speaker is powered by the built-in rechargeable battery. After power-on, the speaker shows the battery level immediately, and the battery indication disappears in five seconds.

- To manually check the battery level, briefly press $\text{\textcircled{P}}$ in either power-on or power-off mode.
 - ↳ The different behavior of the four LEDs indicates different battery levels.

LED indication:



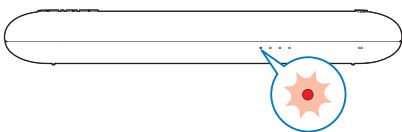
Battery power	LED 1	LED 2	LED 3	LED 4
Full	Solid white			
> 80%	Solid white			Off
50% - 80%	Solid white		Off	
20% - 50%	Solid white	Off		
Low battery (<20%)	Flash red	Off		

Charge the built-in battery

Note

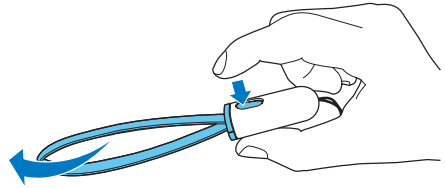
- It takes you approximately three hours to fully charge the battery.
- The micro USB socket is for charging only.
- Rechargeable battery has a limited number of charge cycles. Battery life and number of charge cycles vary by use and settings.

When the battery level is low, LED 1 flashes red as illustrated.

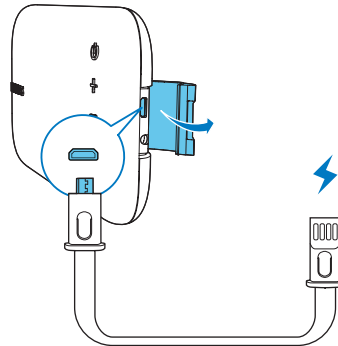


To charge the built-in battery:

- Pull out the USB cable from the USB lanyard cable as illustrated.




- Connect the speaker to AC power by using a power adaptor (not supplied; 5V 0.5A adaptor recommended).



System status	Battery status	System behavior
On	During charging	Beep once, without charging indication.
Off	During charging	Shows the charging indication
Off	Fully charged	All LEDs are on, then turn off in three minutes.

Check the charging progress

During charging, you can press  to check the charging progress.

Battery level	LED 1	LED 2	LED 3	LED 4
<20% charged	Flash white	Off		
20% - 50% charged	Solid white	Flash white	Off	
50% - 80% charged	Solid white		Flash white	Off
> 80% charged	Solid white			Flash white
Fully charged	Solid white (turn off in 3 minutes)			

4 Play from Bluetooth devices

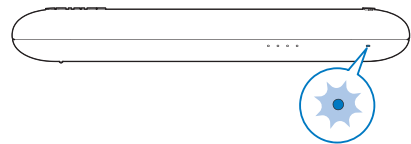
With this speaker, you can listen to audio from Bluetooth-enabled devices and control the incoming call through Bluetooth.

Connect a Bluetooth device

Note

- Make sure that Bluetooth function is enabled on your device, and your device is set as visible to all other Bluetooth devices.
- Any obstacle between this speaker and a Bluetooth device can reduce the operational range.
- Keep away from any other electronic device that may cause interference.
- The operational range between this speaker and a Bluetooth device is approximately 30 meters.

- 1 Make sure that the speaker is in Bluetooth pairing mode.
 - ↳ The Bluetooth LED flashes blue quickly.



- ↳ If the LED flashes blue slowly, press and hold  for two seconds to enter pairing mode.

- 2 On your Bluetooth device, enable Bluetooth and search for Bluetooth devices that can be paired (see the user manual of the device).
- 3 Select **[Philips BT3900]** displayed on your device for pairing. If necessary, input "0000" as the pairing password.
 - ↳ After successful connection, the speaker beeps twice, and the LED turns solid blue.



LED behavior	Description
Flashing blue quickly	Ready for pairing
Flashing blue slowly	Reconnecting the last connected device; Waiting for connection from the paired device
Solid blue	Connected

Play from a connected Bluetooth device

Note

- Music play pauses when there is an incoming call, and resumes when your phone call ends.

After successful Bluetooth connection, play audio on the connected device.

- ↳ Audio streams from your Bluetooth device to the speaker.
 - To pause or resume play, press **▶||**
 - To play the next track, press **▶||** twice.

Tip

- You can also use your Bluetooth device to control play.

Disconnect a device

- Press and hold **⌘** for two seconds;
- Turn off the speaker;
- Disable Bluetooth on your device; or
- Move the device beyond the communication range.

Reconnect a device

- When you turn on the speaker, it tries to reconnect the last connected device automatically;
- If not successful, select **[Philips BT3900]** on your Bluetooth menu to start reconnection.

Clear pairing information

- Press and hold **⌘** for 10 seconds.

Control your phone call

After Bluetooth connection, you can control an incoming call with this speaker.

Button	Function
▶	Press to answer an incoming call.
	Press and hold for two seconds to reject an incoming call.
	During a call, press to end the current call.
	During a call, press and hold for two seconds to transfer the call to your mobile device.

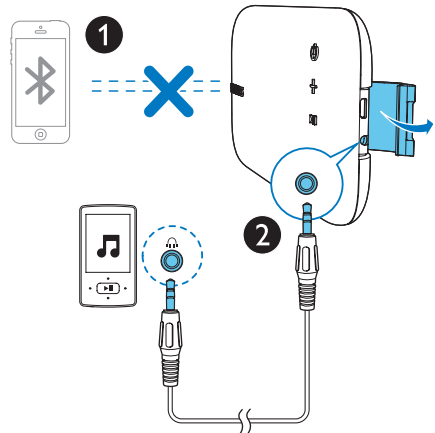
5 Other features

Listen to an external device

With this speaker, you can also listen to an external audio device such as an MP3 player.

Note

- Make sure that music playback through Bluetooth is stopped.



- 1 Connect an audio input cable (not supplied) with a 3.5 mm connector on both ends to
 - the **AUDIO IN** socket on this speaker, and
 - the headphone socket on the external device.
- 2 Play audio on the external device (refer to its user manual).

Tip

- When you start music streaming from a connected Bluetooth device, the speaker switches to the Bluetooth source automatically.

Adjust volume

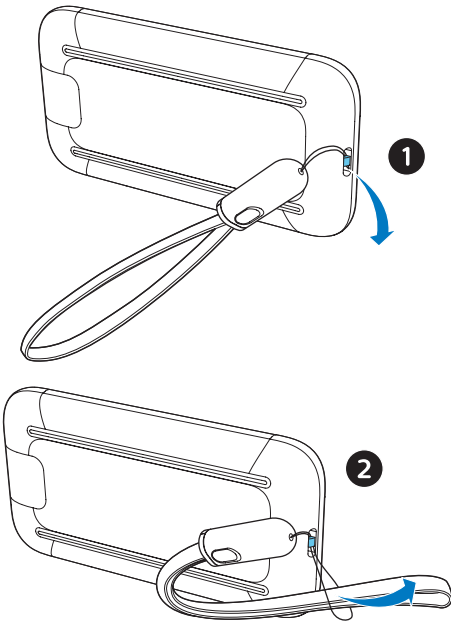
During music playback, press **-/+** to increase or decrease volume.

Tip

- You can press and hold **-/+** to increase or decrease volume continuously.
- When the volume reaches the maximum, the speaker beeps twice.

Attach the lanyard cable

For easy carrying, attach the supplied USB lanyard cable to this speaker as illustrated.



6 Specifications

Note

- Product information is subject to change without prior notice.

Rated output power (Amplifier)	4W RMS \leq 1% THD
Acoustic frequency response	95–20000 Hz
Speaker driver	1 x 2" full range, 4 Ω
Bass enhancement	1 x 2.25" passive radiator
Bluetooth version	V2.1+EDR
Bluetooth supported profiles	HFP V1.6, A2DP V1.2, AVRCP V1.4
Bluetooth frequency band / Output power	2.402GHz ~ 2.480 GHz ISM Band / \leq 4dBm (Class 2)
AUX input level	500mV \pm 100mV
Durability	IP57
Built-in battery	Li-polymer battery (3.7 V, 780 mAh)
Play time in battery mode	Approx. 8 hours
Charging time	Approx. 3 hours
USB charging	5V, 0.5A / Micro-USB socket
Dimensions - Main unit (W x H x D)	166 x 22 x 86 mm
Weight - Main unit	0.22 kg

7 Troubleshooting



Warning

- Never remove the casing of this device.

To keep the warranty valid, never try to repair the system yourself. If you encounter problems when using this device, check the following points before requesting service. If the problem remains unsolved, go to the Philips Web page (www.philips.com/support). When you contact Philips, make sure that the device is nearby and the model number and serial number are available.

General


No power

- Recharge the speaker.

No sound

- Adjust volume on this product.
- Adjust volume on the connected device.
- In AUDIO IN mode, make sure that music playback through Bluetooth is stopped.
- Make sure that your Bluetooth device is within the effective operational range.

No response from the speaker when pressing any key.

- The speaker is in demo mode. To exit this mode: press and hold  for 20 seconds.


- If the issue remains, when the speaker is switched on, hold both the **-** and **+** keys at the same time for 7 seconds until the speaker is off. Then wait for the speaker to reset and switch on again automatically.

About Bluetooth device

The audio quality is poor after connection with a Bluetooth-enabled device.

- The Bluetooth reception is poor. Move the device closer to this product or remove any obstacle between them.

Fail to find [Philips BT3900] on your device for pairing.

- Press and hold  for two seconds to enter pairing mode, and then try again.

Cannot connect with the device.

- The Bluetooth function of the device is not enabled. Refer to the user manual of the device for how to enable the function.
- This product is already connected with another Bluetooth-enabled device. Disconnect that device and then try again.

The paired device connects and disconnects constantly.

- The Bluetooth reception is poor. Move the device closer to this product or remove any obstacle between them.
- For some devices, Bluetooth connection may be deactivated automatically as a power-saving feature. This does not indicate any malfunction of this product.



2017 © Gibson Innovations Limited. All rights reserved.

This product has been manufactured by, and is sold under the responsibility of Gibson Innovations Ltd., and Gibson Innovations Ltd. is the warrantor in relation to this product.

Philips and the Philips Shield Emblem are registered trademarks of Koninklijke Philips N.V. and are used under license.

BT3900_37_UM_V2.0

