

# Always there to help you

Register your product and get support at  
[www.philips.com/support](http://www.philips.com/support)



AZB500B  
AZB500W



# User manual

# PHILIPS



# Contents

---

<b>1 Important</b>	2
Safety	2
Notice	2

---

<b>2 Your CD Soundmachine</b>	4
Introduction	4
What's in the box	4
Overview of the main unit	4

---

<b>3 Get started</b>	6
Connect power	6
Turn on	7
Turn off	7

---

<b>4 Play</b>	8
Play a CD	8
Play options	8
Play from an external device	9

---

<b>5 Listen to FM radio stations</b>	10
Tune to FM radio stations	10
Program FM radio stations automatically	10
Program FM radio stations manually	10
Select a preset radio station	10
Adjust FM settings	11

---

<b>6 Listen to DAB radio stations</b>	11
Listen to DAB radio stations	11
For the first time use	11
Program radio stations	12
Display DAB information	12
Use DAB menus	12

---

<b>7 Use system menus</b>	13
Reset the product	13
Check the current software version	13

---

<b>8 Product information</b>	14
Specifications	14
Maintenance	15

---

<b>9 Troubleshooting</b>	15
--------------------------	----

# 1 Important

---

## Safety

- Read these instructions.
- Follow all instructions.
- Do not block any ventilation openings. Install in accordance with the manufacturer's instructions.
- Do not install near any heat sources such as radiators, heat registers, stoves, or other apparatus (including amplifiers) that produce heat.
- Protect the power cord from being walked on or pinched, particularly at plugs, convenience receptacles, and the point where they exit from the unit.
- Only use attachments/accessories specified by the manufacturer.
- Unplug this unit during lightning storms or when unused for long periods of time.
- Recording is permissible insofar as copyright or other rights of third parties are not infringed upon.
- Refer all servicing to qualified service personnel. Servicing is required when the unit has been damaged in any way, such as power-supply cord or plug is damaged, liquid has been spilled or objects have fallen into the apparatus, the unit has been exposed to rain or moisture, does not operate normally, or has been dropped.
- Battery usage CAUTION – To prevent battery leakage which may result in bodily injury, property damage, or damage to the unit:
  - Install all batteries correctly, + and - as marked on the unit.
  - Do not mix batteries (old and new or carbon and alkaline, etc.).
  - Remove batteries when the unit is not used for a long time.

- Batteries (battery pack or batteries installed) shall not be exposed to excessive heat such as sunshine, fire or the like.
- CAUTION: Danger of explosion if battery is incorrectly replaced. Replace only with the same or equivalent type.
- The unit shall not be exposed to dripping or splashing.
- Do not place any sources of danger on the unit (e.g. liquid filled objects, lighted candles).
- Where the MAINS plug or an appliance coupler is used as the disconnect device, the disconnect device shall remain readily operable.



### Warning

- Never remove the casing of this apparatus.
- Never place this apparatus on other electrical equipment.
- Never look into the laser beam inside this apparatus.



### Caution

- Use of controls or adjustments or performance of procedures other than herein may result in hazardous radiation exposure or other unsafe operation.

---

## Notice

Hereby, Gibson Innovations declares that this product is in compliance with the essential requirements and other relevant provisions of Directive 2014/53/EU. You can find the Declaration of Conformity on [www.philips.com/support](http://www.philips.com/support).

Any changes or modifications made to this device that are not expressly approved by Gibson Innovations may void the user's authority to operate the equipment.

## Disposal of your old product



Your product is designed and manufactured with high quality materials and components, which can be recycled and reused.



This symbol on a product means that the product is covered by European Directive 2012/19/EU. Inform yourself about the local separate collection system for electrical and electronic products. Follow local rules and never dispose of the product with normal household waste. Correct disposal of old products helps prevent negative consequences for the environment and human health.

### Environmental information

All unnecessary packaging has been omitted. We have tried to make the packaging easy to separate into three materials: cardboard (box), paper pulp (buffer) and polyethylene (bags, protective foam sheet.)

Your system consists of materials which can be recycled and reused if disassembled by a specialized company. Please observe the local regulations regarding the disposal of packaging materials, exhausted batteries and old equipment.

This apparatus includes these labels:



## Class II equipment symbol



This symbol indicates that the apparatus has a double insulation system.



The making of unauthorized copies of copy-protected material, including computer programs, files, broadcasts and sound recordings, may be an infringement of copyrights and constitute a criminal offence. This equipment should not be used for such purposes.

### Note

- The type plate is located on the bottom of the apparatus.

# 2 Your CD Soundmachine

## Introduction

With this CD Sound machine, you can:

- Listen to FM radio;
- Listen to DAB radio;
- Enjoy audio from discs, and other external audio devices;
- Program the play sequence of tracks.

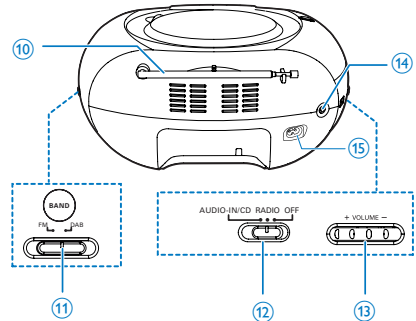
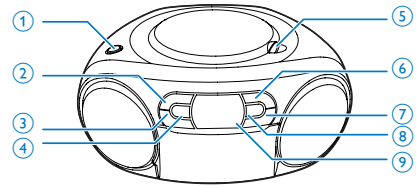
The CD sound machine offers you Dynamic Bass Boost (DBB) to enrich sound.

## What's in the box

Check and identify the contents of the package:

- Main unit
- Power cord
- Short User Manual
- Safety sheet

## Overview of the main unit



- ① **DBB**
  - Turn dynamic bass boost on/off.
- ② **■ / MENU**
  - Stop playing.
  - Access FM/DAB menu.
- ③ **▲ / ▼**
  - Select a preset radio station.
- ④ **MODE/DISPLAY**
  - Select a play mode.
  - Display the RDS information.
  - Display the DAB information.
- ⑤ **OPEN•CLOSE**
  - Open or close the disc compartment.
- ⑥ **▶|| / OK**
  - Start or pause play.
  - Press to wake up the CD sound machine from standby mode.
  - Confirm a selection.

- ⑦ **⏮ / ⏭**
  - Skip to the previous or next track.
  - Search within a track.
  - In radio mode, tune to a FM/DAB radio station.
- ⑧ **PROG**
  - Program the play sequence of tracks.
- ⑨ **Display panel**
  - Display current status.
- ⑩ **FM antenna**
  - Improve FM reception.
- ⑪ **FM/DAB**
  - Select FM/DAB band.
- ⑫ **Source selector**
  - Select a source.
- ⑬ **+VOLUME -**
  - Adjust volume
- ⑭ **AUDIO-IN**
  - Connect an external audio device.
- ⑮ **AC MAINS**

# 3 Get started

## ! Caution

- Use of controls or adjustments or performance of procedures other than herein may result in hazardous radiation exposure or other unsafe operation.

Always follow the instructions in this chapter in sequence.

If you contact Philips, you will be asked for the model and serial number of your apparatus. The model number and serial number are on the bottom of your apparatus. Write the numbers here:

Model No. \_\_\_\_\_

Serial No. \_\_\_\_\_

## Connect power

The unit can be powered by either AC power or batteries.

### Option 1: AC power

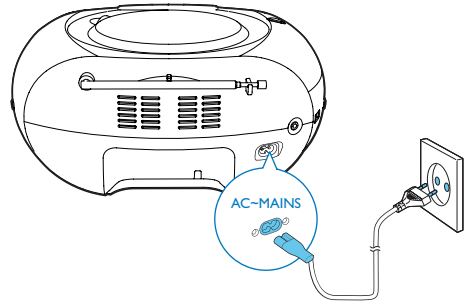
#### ! Warning

- Risk of product damage! Make sure that the power supply voltage corresponds to the voltage printed on the back or the underside of the unit.
- Risk of electric shock! When you disconnect the AC power, always pull the plug from the socket. Never pull the cord.

Connect the AC power cord to the wall socket.

#### \* Tip

- To save energy, turn the unit off after use.



### Option 2: Battery power

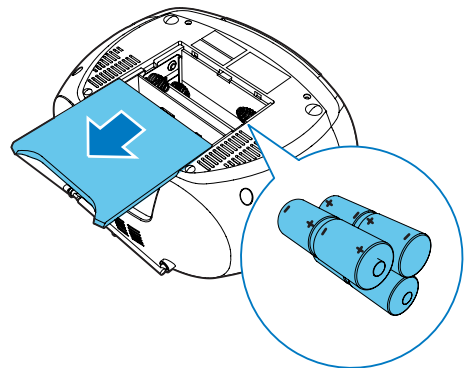
#### ! Caution

- Batteries contain chemical substances, so they should be disposed of properly.

#### ≡ Note

- Batteries are not supplied with the accessories.

- 1 Open the battery compartment.
- 2 Insert 6 batteries (type: 1.5V R14/UM2/C CELL) with correct polarity (+/-) as indicated.
- 3 Close the battery compartment.





---

## Turn on

Switch the source selector on the product to **RADIO/CD**.

### Switch to standby mode

- The product switches to standby mode automatically when there is no audio detected for over 15 minutes.
- Press ►|| to wake up the product from standby mode.

---

## Turn off

Switch the source selector on the main unit to **OFF**.

# 4 Play

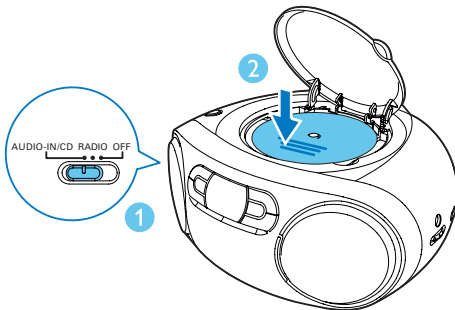
## Play a CD

### Note

- You cannot play CDs encoded with copyright protection technologies.
- When an audio-in cable is plugged, CD playback stops, and the unit switches to audio in mode automatically.
- Make sure that no external device is connected with the CD sound machine through AUDIO IN socket before you play a CD.

You can play commercially available audio CDs:

- CD-Recordables (CD-R)
  - CD-Rewritables (CD-RW)
- 1 Switch the source selector to **CD**.  
↳ **CD** displays on the screen.
  - 2 Open the CD compartment.
  - 3 Insert a CD with the printed side facing up and close the CD lid gently.  
↳ Your CD sound machine starts to play automatically.
- To select a track, press **◀▶**.
  - To pause CD play, press **▶||**.  
↳ [**▶**] and track number flash.
  - To resume CD play, press **▶||** again.
  - To stop CD play, press **■**.



## Play options

### Control play

In CD mode, you can control play through the following operations.

<b>◀▶</b>	Press: skip to the previous/next track Hold: search within play, then release to resume play.
<b>▶  </b>	Start or pause play.
<b>■</b>	Stop play.
<b>PROG</b>	Program tracks.
<b>+VOLUME-</b>	Adjust volume.
<b>MODE</b>	Select a play mode. [ <b>🔄</b> ]: Play the current track repeatedly. [ <b>🔄ALL</b> ]: Play all tracks repeatedly. [ <b>🔄R</b> ]: Repeat all tracks randomly. To return to normal play, press <b>MODE</b> repeatedly until the repeat icons disappear.

### Tip

- Only [**🔄**] and [**🔄ALL**] can be selected when you play the programmed tracks.

### Program tracks

In CD mode, you can program a maximum of 20 tracks.

- 1 Press **■** to stop playback.
- 2 Press **PROG** to activate the program mode.
- 3 Press **◀▶** to select a track number, then press **PROG** to confirm.

- 4 Repeat steps 3 to program more tracks.
- 5 Press ►|| to play the programmed tracks.
  - ↳ During play, [PROG] (program) is displayed.
    - To erase the program, press ■ twice.

## Adjust sound

During play, you can adjust volume and select the sound effects.

Key	Function
+VOLUME-	Increase or decrease volume.
DBB	Turn dynamic bass enhancement on or off.

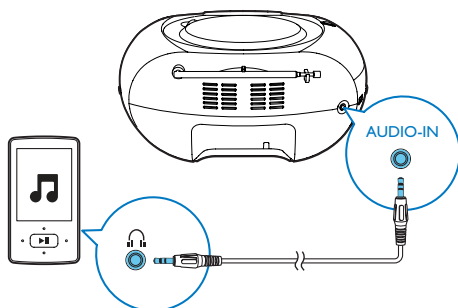
## Play from an external device

You can also listen to an external audio device through this product.

- 1 Switch the source selector to **CD**.
  - ↳ **AUX IN** displays on the screen.
- 2 Connect an audio cable (3.5mm, not supplied) to:
  - the **AUDIO-IN** socket on the unit.
  - the headphone socket on an external device.
- 3 Play the external device (see the device's user manual).

### Note

- The **AUDIO-IN** socket is not for headphones.



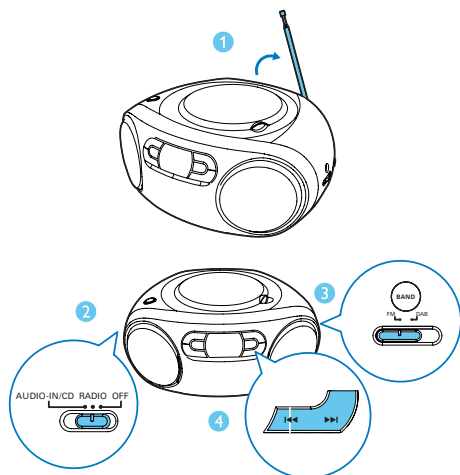
## 5 Listen to FM radio stations

### Tune to FM radio stations

#### Note

- For optimal reception, fully extend and adjust the position of the FM antenna.

- 1 Switch the source selector to **RADIO** and switch the band selector to **FM**.
- 2 Press **◀◀ / ▶▶** to tune to a radio station.
- 3 Repeat step 3 to tune to more stations.
  - To store the current radio station, press **PROG** twice.



### Program FM radio stations automatically

#### Note

- You can program a maximum of 20 preset radio stations.

In FM tuner mode, press and hold **PROG** for 2 seconds to activate automatic programming.

- ↳ All available radio stations are stored automatically, then the first stored radio station is broadcast.
- ↳ **[FULL]** is displayed when 20 preset radio stations are stored.

### Program FM radio stations manually

#### Note

- To overwrite a programmed radio station, store another station in its place.

- 1 Tune to a radio station.
- 2 Press **PROG** to activate programming.
- 3 Press **◀◀ / ▶▶** to allocate a number to this radio station, and then press **PROG** to confirm.
  - ↳ **[STORED]** and the frequency of this radio station are displayed.
- 4 Repeat steps 1-3 to program more stations.

### Select a preset radio station

In tuner mode, press **▲ / ▼** to select a preset station.

---

## Adjust FM settings

- 1 In FM mode, press **MENU** to access FM menus.
- 2 Press **▲** / **▼** to toggle through the menus.
  - **[SCAN SET]**: Access the scan settings.
  - **[SYSTEM]**: Access system settings.

---

### Scan setting

- 1 Press **OK** to access the **[SCAN SET]** menu.
- 2 Press **▲** / **▼** to select an option:
  - **[STRONG]**: Search for strong stations only.
  - **[ALL]**: Search for all stations no matter whether the signal strength of a station is strong or weak.
- 3 Press **OK** to confirm the selection.

---

### System menus

- 1 Press **OK** to access system menu.
- 2 Press **▲** / **▼** to select a sub-menu.
  - For details, refer to the section 'Use system menus'.

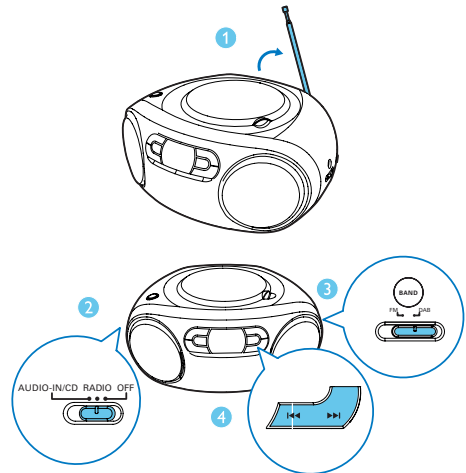
# 6 Listen to DAB radio stations

---

## Listen to DAB radio stations

### Note

- For optimal reception, fully extend the antenna and adjust its position.
- You can program a maximum of 20 DAB radio stations.
- Check with local retailer or go to [www.WorldDAB.org](http://www.WorldDAB.org) for applicable DAB radio frequencies in your area.



---

## For the first time use

- 1 Switch the source selector to **RADIO** and switch the band selector to **DAB**.  
↳ **[Full scan]** menu is displayed.
- 2 Press **OK** to activate the automatic search.  
↳ This product automatically stores radio stations with sufficient signal strength.

↳ After the search is complete, the first stored radio station is broadcast automatically.

- 3 Press **◀▶** to select a station, and then start listening.

---

## Program radio stations

- 1 Tune to a DAB radio station.
- 2 Press **PROG** to activate the programming.
- 3 Press **◀▶** to select a preset sequence number.
- 4 Press **PROG** to confirm.  
↳ The radio station is stored with the selected sequence number.
- 5 Repeat steps 1-4 to program more radio stations.

### Note

- If you store a radio station with the sequence number of another one, the earlier one is overwritten.

---

## Display DAB information

On the display of DAB broadcasting, the first line shows station name, and the second line shows the service information for the current station.

Press **DISPLAY** repeatedly to cycle through the following information (if available).

- Dynamic label segment (DLS)
- Signal strength
- Program type (PTY)
- Ensemble name
- Frequency
- Signal error rate
- Bitrate codec
- Time
- Date

---

## Use DAB menus

- 1 In DAB mode, press **MENU** to access the DAB menus.
- 2 Press **▲ / ▼** to toggle through the menus.
  - **[FULL SCAN]**: Scan for the DAB stations.
  - **[MANUAL]**: Tune to a station manually.
  - **[DRC]**: Enable or disable DRC.
  - **[PRUNE]**: Remove invalid stations
  - **[SYSTEM]**: Access system setting menu.
- 3 Press **OK** to enter the menu.

---

## Re-scan for stations

Full scan is used to perform a wide range search for DAB radio stations.

- Press **OK** to activate the automatic search.  
↳ This product automatically stores radio stations with sufficient signal strength.

---

## Tune to a station manually

With this feature, you can tune to a specific channel/frequency manually. In addition to antenna orientation for better radio reception, the optimal reception can also be obtained with this feature.

- 1 Press **OK** to access the station list.
- 2 Press **◀▶** to select a station.
- 3 Press **OK** to confirm the option.

---

## DRC (Dynamic Range Control)

DRC adds or removes a degree of compensation for the differences in the dynamic range between radio stations.

- 1 Press **OK** access the sub-menus.
- 2 Press **▲ / ▼** to select an option.
  - **[DRC OFF]**: No compensation applied.
  - **[DRC LOW]**: Medium compensation applied.

- **[DRC HIGH]**: Maximum compensation applied.

3 Press **OK** to confirm the selection.

---

## Remove invalid stations

This option lists active stations and removes any stations that are in the list but have no service in your area.

- 1 Press **OK** to access the **[PRUNE]** menu.
- 2 Press **◀◀ / ▶▶** to select an option.
  - **[N]**: Return to the previous menu.
  - **[Y]**: Remove invalid stations from the station list.
- 3 Press **OK** to confirm the selection.

---

## System menus

- 1 Press **OK** to access system menu.
- 2 Press **▲ / ▼** to select a sub-menu.
  - For details, refer to the section '**Use system menus**'.

# 7 Use system menus

With the system menus, you can:

- **[RESET]**: Reset the product to factory default status.
- **[UPGRADE]**: Upgrade the software.
- **[SWVER]**: Check the version of current software of this product.

---

## Reset the product

- 1 Press **OK** to display the options.
- 2 Press **◀◀ / ▶▶** to select an option.
  - **[N]**: Return to the previous menu.
  - **[Y]**: Reset the product to factory default status.
- 3 Press **OK** to confirm the option.

---

## Check the current software version

Press **OK** to display the version of current software.

# 8 Product information



## Note

- Product information is subject to change without prior notice.

## Specifications

### Amplifier

Rated Output Power	2 × 1 W RMS
Frequency Response	125 -16000 Hz, -3dB
Signal to Noise Ratio	>55 dBA
Total Harmonic Distortion	<1 %
Audio-in Input	650 mV RMS

### Disc

Laser Type	Semiconductor
Disc Diameter	12cm/8cm
Support Disc	CD-DA, CD-R, CD-RW
Audio DAC	24Bits / 44.1kHz
Total Harmonic Distortion	<1%
Frequency Response	125 -16000 Hz, -3dB
S/N Ratio	>55 dBA

### Tuner

Tuning Range	FM: 87.5 - 108MHz DAB: 174.928 - 239.200 MHz
Sensitivity:	
Mono, 26dB S/N Ratio	<22 dBf
Stereo, 46dB S/N Ratio	<43 dBf
Search Selectivity	50 KHz (FM)
Total Harmonic Distortion	<3%
Signal to Noise Ratio	>50 dBA

### General

Power supply	220-240V~, 50/60 Hz;
- AC Power	
- Battery	DC 9V, 6 × 1.5V type: R14/UM2/C CELL
Operation Power Consumption	10 W
Standby Power Consumption	<0,5 W
Dimensions	
- Main Unit (W × H × D)	300 × 134 × 240 mm
Weight (Main Unit)	1.4 kg



---

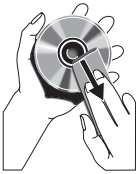
## Maintenance

### Clean the cabinet

- Use a soft cloth slightly moistened with a mild detergent solution. Do not use a solution containing alcohol, spirits, ammonia or abrasives.

### Clean discs

- When a disc becomes dirty, clean it with a cleaning cloth. Wipe the disc from the centre out.



- Do not use solvents such as benzene, thinner, commercially available cleaners, or antistatic spray intended for analogue records.

### Clean the disc lens

- After prolonged use, dirt or dust may accumulate at the disc lens. To ensure good play quality, clean the disc lens with Philips CD lens cleaner or any commercially available cleaner. Follow the instructions supplied with cleaner.

## 9 Troubleshooting



### Warning

- Never remove the casing of this device.

To keep the warranty valid, never try to repair the system yourself.

If you encounter problems when using this device, check the following points before requesting service. If the problem remains unsolved, go to the Philips Web page ([www.philips.com/support](http://www.philips.com/support)). When you contact Philips, make sure that the device is nearby and the model number and serial number are available.

### No power

- Ensure that the Mains cord is connected securely.
- Ensure that there is power at the AC Mains.
- Ensure that the batteries are inserted correctly.

### No sound or poor sound

- Adjust the volume.

### No response from the unit

- Disconnect and reconnect the AC power plug, then turn on the system again.
- As a power-saving feature, the unit switches off automatically 15 minutes after track play reaches the end and no control is operated.

### No disc detected

- Insert a disc.
- Check if the disc is inserted upside down.
- Wait until the moisture condensation at the lens has cleared.
- Replace or clean the disc.
- Use a finalized CD or correct format disc.

### Poor radio reception

- Increase the distance between the unit and your TV or VCR.
- Fully extend the FM antenna.





Copyright © 2014 Gibson Innovations Limited. Revised Edition © 2017

This product has been manufactured by, and is sold under the responsibility of Gibson Innovations Ltd., and Gibson Innovations Ltd. is the warrantor in relation to this product.

Philips and the Philips Shield Emblem are registered trademarks of Koninklijke Philips N.V. and are used under license.

AZB500B\_AZB500W\_12\_UM\_V4.0

