

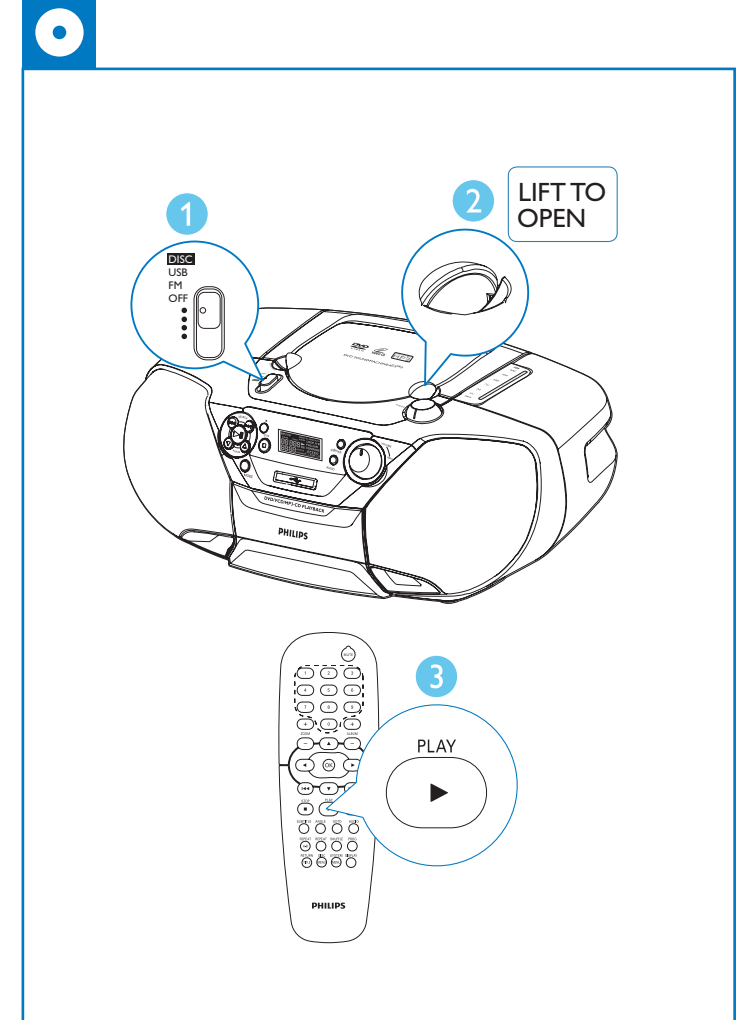
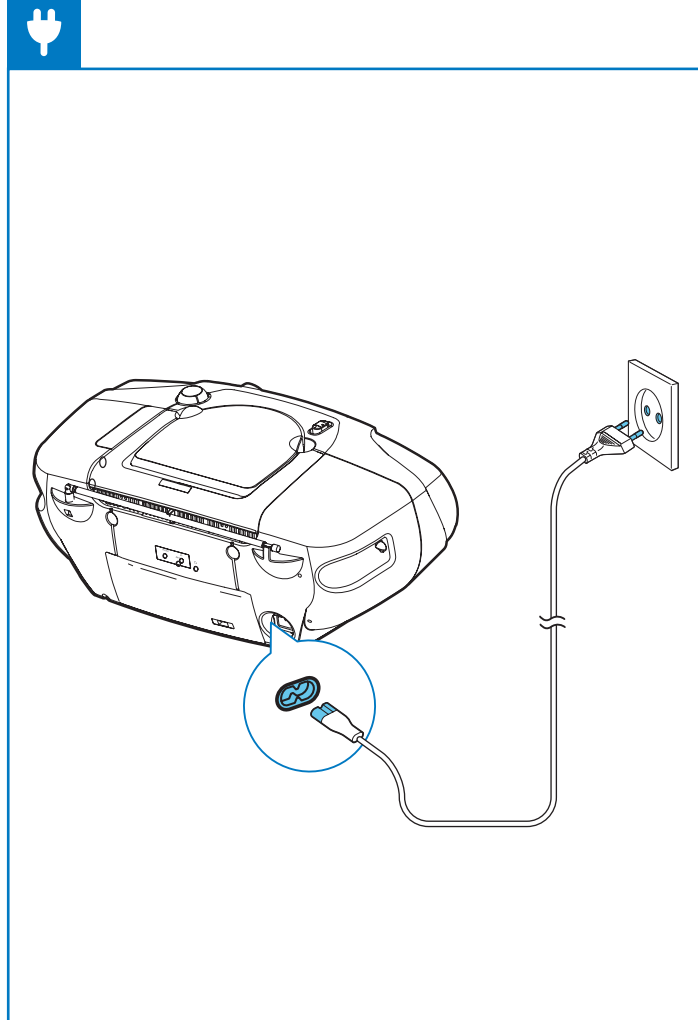
Register your product and get support at
www.philips.com/welcome

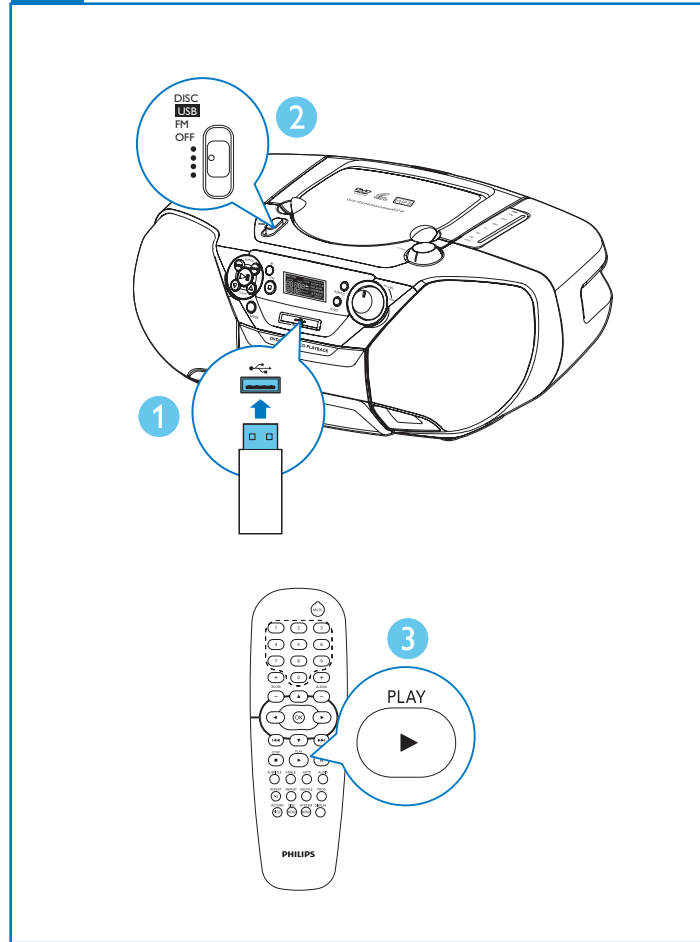
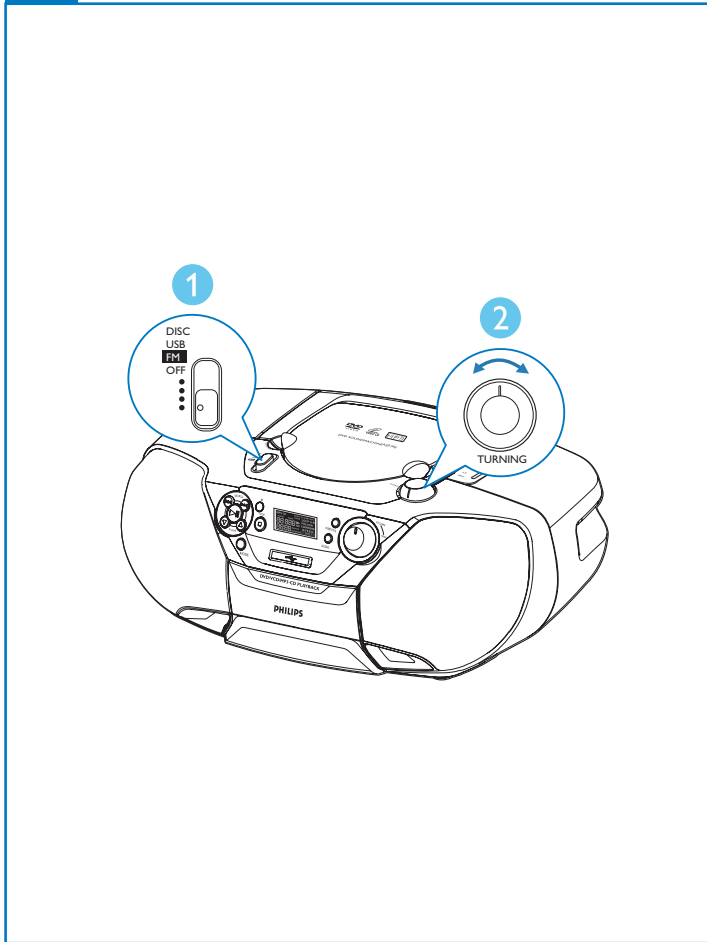
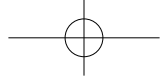
AZ5741



Quick start guide

PHILIPS





2014 © WOOX Innovations Limited. All rights reserved.
 Philips and the Philips' Shield Emblem are registered trademarks
 of Koninklijke Philips N.V. and are used by WOOX Innovations
 Limited under license from Koninklijke Philips N.V.

AZ5741_98_QSG_V2.0

