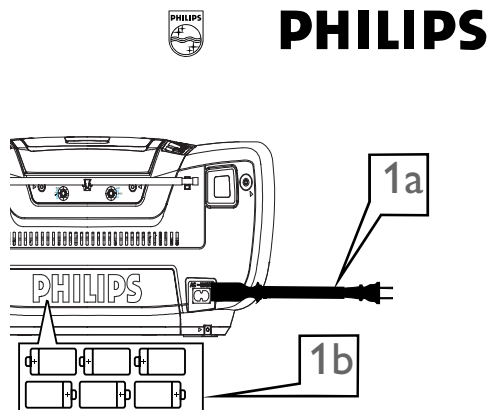




## AZ1840

### 1 Choosing Power Supply

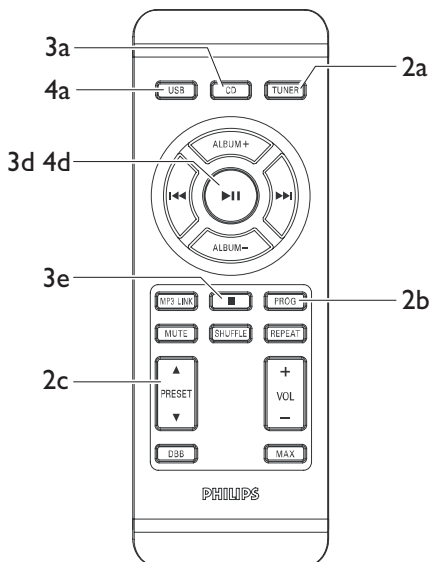
- a Connect the AC power cord to the **AC~ MAINS** inlet and the wall socket.
- OR-
- b Open the **battery door** and insert 6 x D batteries (not included).



**R-20, UM-1 or D-cells**  
(not included)

### 2 Listening to Radio

- a Press **SOURCE** on the system repeatedly (or **TUNER** on the remote control) to select TUNER (FM or MW).
- b Press **PROG** for more than two seconds to program all available stations in order of waveband.
- c Press **PRESET ▲/▼** on the remote control until the desired preset station is displayed.



### 3 Playing a disc

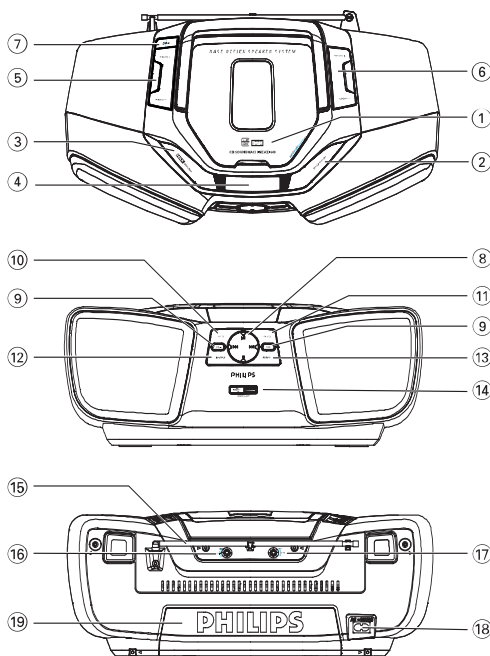
This player plays Audio Discs including CD-R/CD-RW, MP3-CD and WMA.

- a Press **SOURCE** on the system repeatedly (or **CD** on the remote control) to select CD.
- b Open the disc door.
- c Insert a disc with the printed side facing up and close the door.
- d Press **▶||** to start playback.
- e To stop disc playback, press **■**.

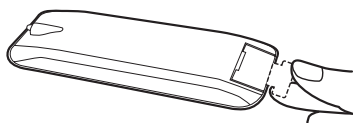
### 4 Playing a USB device

- a Press **SOURCE** on the system repeatedly (or **USB** on the remote control) to select USB.
- c Plug a compatible USB mass storage device to AZ1840's USB port marked .
- d Press **▶||** on your AZ1840 to start play.





- ① **PUSH TO OPEN** — opens/closes the CD door.
- ② **POWER ON/OFF** — switches the set on or off.
- ③ **MAX SOUND** — activates or deactivates the optimal mix of various sound features.
- ④ **Display panel** — shows the status of the set.
- ⑤ **VOLUME+/-** — adjusts volume level.
- ⑥ **TUNING +/-** — tunes to radio stations.
- ⑦ **DBB** — turns the bass enhancement on/off.
- ⑧ **▶II** — starts/ pauses CD/USB playback
  - ▶▶ / ◀◀ — selects the next/previous track.
    - searches forwards/backwards (press and hold the button) within the current track.
  - — stops disc/USB playback.
    - erases a program.
- ⑨ **ALB +/- — MP3-CD/USB:** select albums.
  - **MW/FM:** selects a preset radio station (up, down).
- ⑩ **PROG** — programs tracks and reviews the program.
- ⑪ **SOURCE** — selects CD, USB, FM, MW or MP3 LINK source of sound.
- ⑫ **SHUFFLE** — plays all CD/USB tracks in random order.
- ⑬ **REPEAT** — selects repeat modes.
- ⑭ **USB port** — connects an external USB mass storage device.
- ⑮ **Telescopic antenna** - improves FM reception.
- ⑯ **Headphone jack** - connects a headphone.
- ⑰ **MP3 LINK** - inlet for external audio source.
- ⑱ **AC MAINS~** - inlet for power cord.
- ⑲ **Battery compartment** — for 6 batteries, type R-20/UM-1/ D-cells.



Removing the insulation plastic tab before use