

CD Soundmachine

Audio

AZ1500

AZ1505



**Remote Control for
AZ1505 model only**

Let's make things better.



PHILIPS

English

Français

Español

Deutsch

Nederlands

Meet Philips at the Internet
<http://www.audio.philips.com>

AZ 1500
AZ 1505

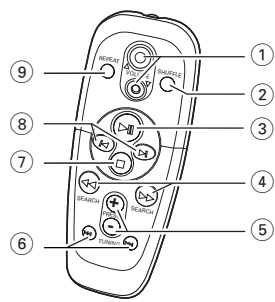
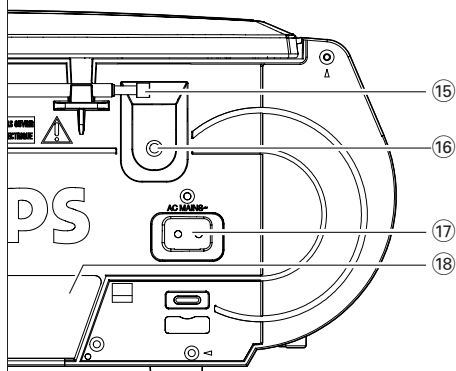
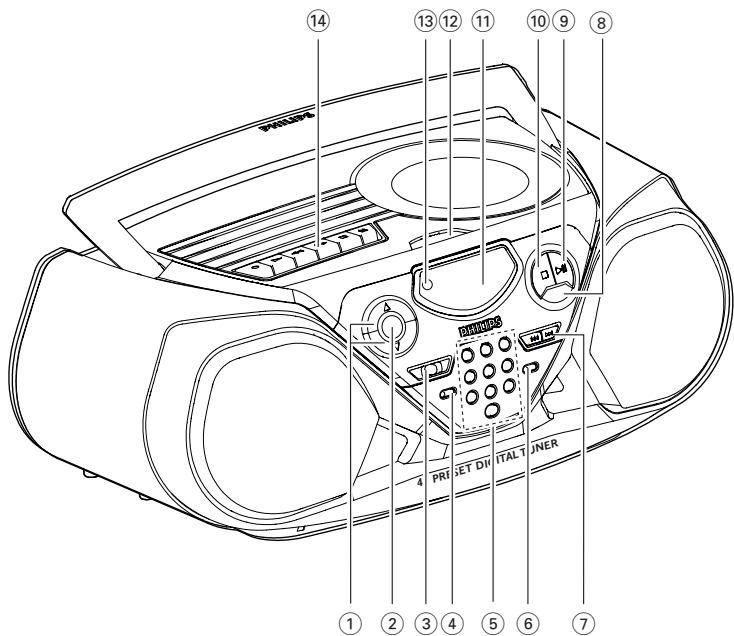
**CLASS 1
LASER PRODUCT**

3140 115 2892.1



Printed in Hong Kong

1

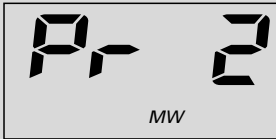


**Remote Control for
AZ1505 model only**

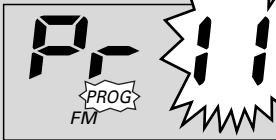
2



3



4



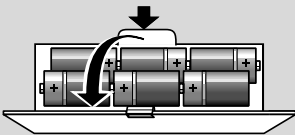
5



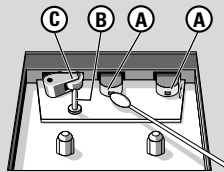
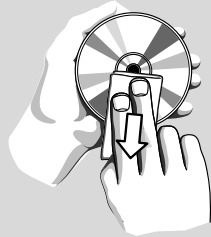
6



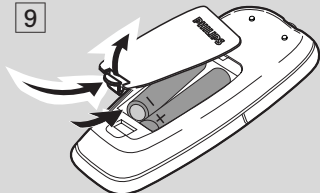
7



8



9



Important notes for users in the U.K.

Mains plug

This apparatus is fitted with an approved 13 Amp plug. To change a fuse in this type of plug proceed as follows:

- 1.** Remove fuse cover and fuse.
- 2.** Fix new fuse which should be a BS1362 5 Amp, A.S.T.A. or BSI approved type.
- 3.** Refit the fuse cover.

If the fitted plug is not suitable for your socket outlets, it should be cut off and an appropriate plug fitted in its place. If the mains plug contains a fuse, this should have a value of 5 Amp. If a plug without a fuse is used, the fuse at the distribution board should not be greater than 5 Amp.

Note: The severed plug must be disposed of to avoid a possible shock hazard should it be inserted into a 13 Amp socket elsewhere.

How to connect a plug

The wires in the mains lead are coloured with the following code: blue = neutral (N), brown = live (L). As these colours may not correspond with the colour markings identifying the terminals in your plug, proceed as follows:

- Connect the blue wire to the terminal marked N or coloured black.
- Connect the brown wire to the terminal marked L or coloured red.
- Do not connect either wire to the earth terminal in the plug, marked E (or e) or coloured green (or green and yellow).

Before replacing the plug cover, make certain that the cord grip is clamped over the sheath of the lead - not simply over the two wires.

Copyright in the U.K.

Recording and playback of material may require consent. See Copyright Act 1956 and The Performer's Protection Acts 1958 to 1972.

English

ACCESSORIES


- 1 x AC mains lead
- 1 x Remote Control (for **AZ1505** model only)

TOP AND FRONT PANEL (See [1])

- [1] **VOLUME ▲, ▼** - to adjust volume level.
- [2] **DBB (Dynamic Bass Boost)** - activates a more vivid bass response.
- [3] **POWER slider** - selects **TAPE/ RADIO / CD** function and also the power off switch (**TAPE/ OFF**).
- [4] **BAND** - selects waveband.
- [5] **0-9** - digit panel
CD: - track selection and direct playback;
RADIO: - selecting a preset station.
- [6] **PROGRAM**
CD: - programs tracks and reviews the program;
Tuner: - programs preset radio stations.
- [7] **SEARCH ◀◀, ▶▶**
CD: - searches backward and forward within a track;
- skips to the beginning of a current track/ previous/ later track.
RADIO: - (down, up) tunes to radio stations.
- [8] **MODE** - selects different play modes: e.g. **REPEAT** or **SHUFFLE** (random) order.
- [9] **▶||** - starts or pauses CD playback.
- [10] **■** - to stop playback;
- erases a CD program.
- [11] **Display** - shows the status of the set.
- [12] **LIFT TO OPEN** - lift here to open CD-tape door.
- [13] **REMOTE SENSOR** - (for **AZ1505** model only) infrared sensor for remote control.
- [14] **CASSETTE RECORDER keys**:
RECORD ● - to start recording.
PLAY ▶ - to start playback.
SEARCH ◀◀ / ▶▶ - fast rewinds/ winds tape.
STOP ■ - stops tape.
PAUSE || - pauses playback or recording.

CONTROL/POWER SUPPLY

BACK PANEL

- [15] **Telescopic aerial** - improves FM reception.
- [16]  - 3.5 mm stereo headphone socket.
Note: The speakers will be muted when headphones are connected to the set.
- [17] **AC MAINS** - inlet for mains lead.
- [18] **Battery compartment** - for 6 batteries, type **R-14, UM2** or **C-cells**.

REMOTE CONTROL (for AZ1505 model only)

- [1] **VOLUME ▲, ▼** - adjusts volume level.
- [2] **SHUFFLE** - plays all CD tracks in random order.
- [3] **▶||** - starts or pauses CD playback.
- [4] **SEARCH ◀◀, ▶▶** - searches backwards/ forwards within a track.
- [5] **PRESET +, -** (up, down) - selects a preset radio station.
- [6] **TUNING ◀◀, ▶▶** (down, up) - tunes to tuner stations.
- [7] **■** - to stop playback;
- erases a CD program.
- [8] **◀, ▶** - skips to the beginning of a current track previous/ subsequent track.
- [9] **REPEAT** - repeats a track /program/ entire CD.

CAUTION

Use of controls or adjustments or performance of procedures other than herein may result in hazardous radiation exposure or other unsafe operation.

POWER SUPPLY

Whenever convenient, use the AC power supply to conserve battery life. Make sure you remove the power plug from the set and wall outlet before inserting batteries.

Batteries (not included)

- Insert 6 batteries, type **R-14, UM-2** or **C-cells**, (preferably alkaline) with the correct polarity. (See [7])
- **Remote control (AZ1505 model only)**
Insert 2 batteries, type **AAA, R03** or **UM4** (preferably alkaline). (See [9])

POWER SUPPLY

IMPORTANT!

- Incorrect use of batteries can cause electrolyte leakage and will corrode the compartment or cause the batteries to burst.
- Do not mix battery types: e.g. alkaline with carbon zinc. Only use batteries of the same type for the set.
- When inserting new batteries, do not try to mix old batteries with the new ones.
- **Batteries contain chemical substances, so they should be disposed of properly.**

Using AC Power

1. Check if the AC power supply, as shown on the **type plate located on the bottom of the set**, corresponds to your local power supply. If it does not, consult your dealer or service centre.
2. Connect the mains lead to the wall socket.
3. To disconnect the mains supply, unplug the set from the wall socket.

The type plate is located on the bottom of the set.

This set complies with the radio interference requirements of the European Community.

For users in the U.K., please follow the boxed instructions 'Important notes...' on this sheet.

BASIC FUNCTIONS

Switching on and off and selecting function

1. To switch on, adjust the **POWER slider** to select: **CD**, **RADIO** or **TAPE** function, and operate the respective function controls.
2. To switch off, adjust the **POWER slider** to select **TAPE/OFF** and make sure all the cassette keys are released.

Note : *The DBB setting, tuner presets and the volume will be retained in the set's memory.*

Adjusting volume and sound (See [2])

1. Press the **VOLUME ▲** or **▼** controls to adjust the volume.
2. Press **DBB** once or more to select dynamic bass boost on or off.

DIGITAL TUNER

DIGITAL TUNER

Tuning to radio stations

1. Adjust the **POWER slider** to **RADIO**.
→ \mathcal{L} \mathcal{L} is displayed briefly and then the radio station frequency, waveband and, if programmed, a preset number are shown. (See [3])
2. Press **BAND** once or more to select your waveband.
3. Press and hold **SEARCH** \lll or \ggg until the frequency in the display starts running.
→ The radio automatically tunes to a station of sufficient reception. Display shows \mathcal{S} \mathcal{R} \mathcal{C} \mathcal{H} during automatic tuning.
4. Repeat step 3 if necessary until you find the desired station.

To tune to a weak station, press \lll or \ggg briefly and repeatedly until you have found optimal reception.

To improve radio reception:

- For **FM**, extend, incline and turn the telescopic aerial. Reduce its length if the signal is too strong.
- For **MW (AM or LW)**, the set uses a built-in aerial. Direct this aerial by turning the whole set.

Programming radio stations

You can store up to a total of 40 radio stations in the memory, manually or automatically (Autostore).

Manual programming

1. Tune to your desired station (see Tuning to radio stations).
2. Press **PROGRAM** to activate programming.
→ Display: \mathcal{P} \mathcal{R} - - and **PROG** flashes.
3. Use the digit panel on the set to key in a number, 1-40, to select a preset station. E.g. press 1,1 if you want to store your station as preset 11. (See [4])
- **Remote control (AZ1505 models only):** Press **PRESET + / -** once or more to select a preset station.
4. Press **PROGRAM** to confirm.
5. Repeat steps 1-4 to store other stations.

Note : *You can erase a preset station by storing another frequency in its place.*

DIGITAL TUNER

Autostore

Autostore automatically starts programming radio stations from preset 1. Available stations are programmed in order of waveband reception strength: FM, followed by MW (AM). Any previous presets e.g. manually programmed will be erased.

- Press **PROGRAM** for 4 seconds or more to activate autostore programming.
→ The display shows *RUŁ*, **PROG** blinks, followed by the radio station details when stored.

After all stations are stored, the first preset station will then automatically play.

To listen to a preset station

- Direct Easy Access: use the digit panel on the set to key in a number, 1-40, to select a preset station.
- Remote control (**AZ1505** models only): optionally, press **PRESET +**, **-** to select your preset station.

CD PLAYER

Playing a CD

This CD player plays Audio Discs including CD-Recordables and CD-Rewritables.

1. Adjust the **POWER slider** to **CD**.
2. Insert a CD with the printed side facing up and close the door.
→ *no CD* if no CD inserted/ CD dirty, incorrectly inserted or damaged.
→ *nFŁ* if you have inserted a non-finalized CD-R(W).
3. Press **▶▶** to start playback.
→ *dRŁR* if your CD contains non-audio i.e. data files.
4. To pause playback press **▶▶**. Press **▶▶** again to resume play.
→ Display: **▶** flashes during pause.
5. To stop CD playback, press the **■** button.

Note : CD play will also stop when:

- the CD-tape door is opened
- the CD has reached the end
- you select **TAPE** or **RADIO** function.

Selecting a different track

There are 2 ways:

CD PLAYER

Direct Easy Access

- Key in the number of the track using the digit panel on the set.

SEARCH ◀◀ or ▶▶

- Press **SEARCH** ◀◀ or ▶▶ once or repeatedly to select your track.

Finding a passage within a track

1. Press and hold **SEARCH** ◀◀ or ▶▶.
– The CD is played at high speed and low volume.
2. When you recognize the passage you want, release ◀◀ or ▶▶ to resume normal playback.

Note : During a CD program or if **SHUFFLE/ REPEAT** active, searching is only possible within a track.

Different play modes: SHUFFLE and REPEAT

You can select and change the various play modes before or during playback, and combine the modes with PROGRAM. (See [5])

SHUFFLE - tracks of the entire CD/ program are played in random order

SHUFFLE REPEAT ALL - to repeat the entire CD/ program continuously in random order

REPEAT ALL - repeats the entire CD/ program

REPEAT - plays the current track continuously

1. To select play mode, press **MODE** once or more.
2. Press **▶▶** to start playback if in the stop position.
3. To select normal playback, press **MODE** repeatedly until the various modes are no longer displayed.
– You can also press the **■** button to cancel your play mode.

Programming track numbers

In the stop position, select and store your CD tracks in the desired sequence. Up to 20 tracks can be stored in the memory.

1. Press **SEARCH** ◀◀ or ▶▶ on the set to select your desired track number.
2. Press **PROGRAM**.
→ Display: **PROG**, *PR* and your selected track number. (See [6])
→ If you attempt to program without first selecting a track number, *no SE* is shown.

CD PLAYER

- Repeat steps 1-2 to select and store all desired tracks.
→ Display: *FULL* if you try to program more than 20 tracks.

Reviewing the program

In the stop position, press and hold **PROGRAM** until the display shows all your stored track numbers in sequence.

Erasing a program

You can erase the program by:

- pressing **■** twice
→ *EL* is displayed briefly and **PROG** disappears.
- You select **TAPE** or **RADIO** function.

CASSETTE RECORDER

Cassette playback

- Adjust the **POWER slider** to **TAPE**.
- Insert a cassette as shown and close the door.
- Press **▶** to start playback.
→ Display: shows *REPE* throughout tape operation.
- To pause playback press **PAUSE II**. Press again to resume.
- Press **SEARCH ◀◀** or **▶▶** to fast wind the tape.
- To stop the tape, press **STOP ■**.

The keys are automatically released at the end of a tape and the set switched off, except if **PAUSE II** has been activated.

General information on recording

- Recording is permissible insofar as copyright or other rights of third parties are not infringed.
- For recording, use only **NORMAL** type cassettes (IEC type **I**) on which the tabs have not yet been broken. This deck is not suited for recording on **CHROME** (IEC **II**) or **METAL** (IEC **IV**) type cassettes.
- The best recording level is set automatically. Altering the **VOLUME** or **DBB** controls will not affect the recording.

CASSETTE RECORDER

- To protect a tape from accidental erasure, break out the tabs. If you wish to record again, cover the tabs with a piece of adhesive tape.

CD Synchro Start Recording

- Adjust the **POWER slider** to **CD**.
 - Insert a CD and if desired, program track numbers.
 - Insert a suitable tape into the cassette deck and close the door.
 - Press **RECORD ●** to start recording.
– Playing of the CD program starts automatically from the beginning of the program. You don't need to start the CD player separately.
→ To select and record a particular passage within a CD track:
 - Press **SEARCH ◀◀** or **▶▶**. Release the control when you recognize the passage you want.
 - To pause CD playback, press **▶II**.
 - Recording starts from this exact point in the track when you press **RECORD ●**.
 - To pause recording, press **PAUSE II**. Press **PAUSE II** again to resume recording.
 - To stop recording, press **STOP ■**.
- ### Recording from the Radio
- Tune to the desired radio station (see **Tuning to radio stations**).
 - Follow steps 3-6, under **CD Synchro Start Recording**.

SAFETY & MAINTENANCE INFORMATION

SAFETY & MAINTENANCE INFORMATION

(See 8)

- Don't expose the set, batteries, CDs or cassettes to humidity, rain, sand or excessive heat.
- Clean the set with a dry cloth. Don't use any cleaning agents containing alcohol, ammonia, benzene or abrasives as these may harm the set.
- Place the set on a hard and flat surface so that the system does not tilt. Make sure there is good ventilation to prevent the set overheating.
- The mechanical parts of the set contain self-lubricating bearings and must not be oiled or lubricated.

CD player and CD handling

- If the CD player cannot read CDs correctly, use a cleaning CD to clean the lens before taking the set to repair.
- The lens of the CD player should never be touched!
- Sudden changes in the surrounding temperature can cause condensation on the lens of your CD player. Playing a CD is then not possible. Do not attempt to clean the lens but leave the set in a warm environment until the moisture evaporates.
- Always close the CD-tape door to avoid dust on the lens.

- To clean the CD, wipe in a straight line from the centre towards the edge using a soft, lint-free cloth. Do not use cleaning agents as they may damage the disc.
- Never write on a CD or attach any stickers to it.

Tape deck maintenance

To ensure quality recording and playback of the tape deck, clean parts (A), (B) and (C) as shown, once a month. Use a cotton bud slightly moistened with alcohol or a special head cleaning fluid to clean the deck.

1. Open the CD-tape door.
2. Press **PLAY** ► and clean the roller (C).
3. Press **PAUSE** II and clean the heads (A), and the capstan (B).
4. After cleaning, press **STOP** ■.

Environmental information

We have done our best to reduce the packaging and make it easy to separate into 3 materials: cardboard, expandable polystyrene, polyethylene.

Your set consists of materials which can be recycled if disassembled by a specialized company. Please observe the local regulations regarding the disposal of packaging, exhausted batteries and old equipment.

TROUBLESHOOTING

If a fault occurs, first check the points listed below before taking the set for repair.

If you are unable to remedy a problem by following these hints, consult your dealer or service centre.

WARNING: *Do not open the set as there is a risk of electric shock. Under no circumstances should you try to repair the set yourself, as this will invalidate the guarantee.*

No sound /power

- Volume not adjusted
- Adjust the VOLUME
- Mains lead not securely connected
- Connect the AC mains lead properly
- Batteries exhausted/ incorrectly inserted
- Insert (fresh) batteries correctly
- Headphones connected to the set
- Disconnect headphones

Severe radio hum or noise

- Electrical interference: set too close to TV, VCR or computer
- Move the set to increase the distance

Poor radio reception

- Weak radio signal
- FM: Adjust the FM telescopic aerial

no Pr indication

- During programming radio preset stations, you have keyed in a preset number that exceeds the maximum preset number i.e. 40
- Key in a preset number from 1-40

no CD indication

- CD badly scratched or dirty
- Replace/ clean CD, see Maintenance
- Laser lens steamed up
- Wait until lens has cleared

no FCD indication

- CD-R(W) is blank/ not finalized
- Use a finalized CD-R(W)

CD ERR indication

- CD contains non-audio files
- Press **SEARCH** ◀◀ or ▶▶ once or more to skip to a CD audio track, instead of the data file

The CD skips tracks

- CD damaged or dirty
- Replace or clean CD
- SHUFFLE or PROGRAM is active
- Switch off SHUFFLE / PROGRAM

Poor cassette sound quality

- Dust and dirt on the heads, etc.
- Clean deck parts, see Maintenance
- Use of incompatible cassette types (METAL or CHROME)
- Only use NORMAL (IEC I) for recording

Recording does not work

- Cassette tab(s) may be broken
- Apply adhesive tape over the missing tab space

Remote control does not function properly (for AZ1505 model only)

- Batteries exhausted/ incorrectly inserted
- Insert (fresh) batteries correctly
- Distance/ angle between the set too large
- Reduce the distance/ angle