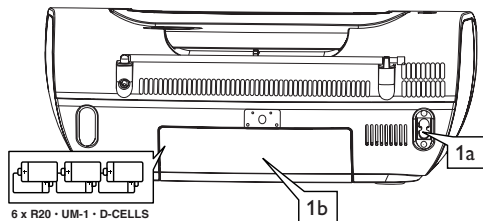


AZ1330D

1 Choosing Power Supply

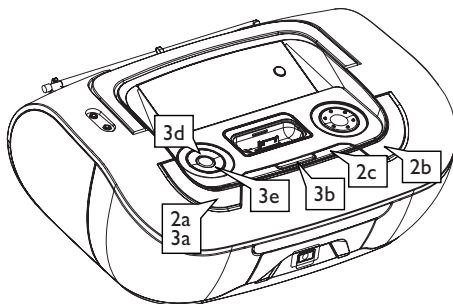
- Connect the AC power cord to the **AC~ Mains** inlet and the wall socket.
- OR-
- Open the **battery door** and insert 6 x D batteries (not included).



R-20, UM-1 or D-cells
(not included)

2 Listening to Radio

- Press **SOURCE** repeatedly to select the tuner source.
- Press **PROGRAM** for more than two seconds to program all available stations in order of waveband.
- Press **PRESET/ALBUM +/-** until the desired preset station is displayed.



3 Playing a disc

This player plays Audio Discs including CD-R/CD-RW, MP3-CD and WMA.

- Press **SOURCE** repeatedly to select **CD**.
- Open the disc door.
- Insert a disc with the printed side facing up and close the door.
- Press **▶||** to start playback.
- To stop disc playback, press **■**.

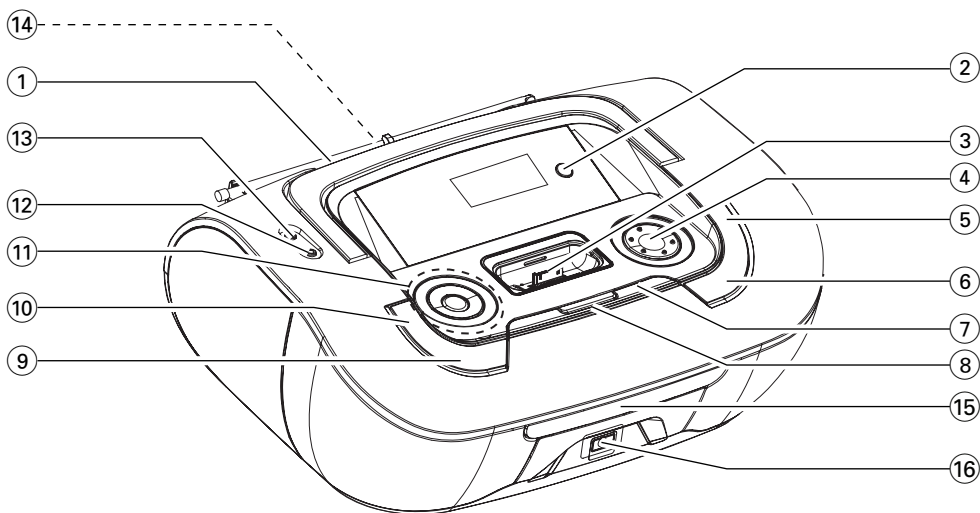
4 Playing Apple iPod using AZ1330D

- Select a correct iPod adaptor, then snap it to the dock to provide a snug fit for the player to be docked.
 - 8 dock adaptors of different type, as indicated at the back of the adaptor, are included to fit the following iPod: 20GB, 40GB, 20/30GB photo, 40/60GB photo, 30GB video, 60/80GB video, mini and nano.
- Snap a compatible iPod into the dock connector.
 - AZ1330D will auto switch to **DOCK** source.
- The connected player will play automatically.
 - In the power-on and standby mode of AZ1330D, you can charge the iPod when docking.
 - The buttons (**▶||**, **◀◀**, **▶▶** and **VOLUME**) on the AZ1330D and its remote control can work only with playback of the audio contents stored on the docked player.

Tip:

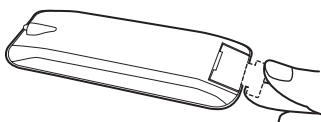
Refer to the user manual supplied for detailed descriptions of "Compatible portable player", "Selecting the correct dock adaptor", "Installing the dock adaptor", and the important notes for dock operation.





- ① **Telescopic antenna** – improves FM reception
- ② **DOCK** – selects dock source
- ③ **Dock connector**
– connects iPod player
- ④ **VOLUME** – adjusts volume level
- ⑤ **MODE** – selects different play modes:
e.g. REPEAT or SHUFFLE (random order)
- ⑥ **PROGRAM**
For disc – programs tracks and reviews the program
For Tuner – auto searches and stores radio stations
- ⑦ **ALBUM/PRESET +/-**
For MP3-CD/ WMA play:
– select albums
For Tuner
– selects a preset radio station
- ⑧ **▲** – opens/closes the disc tray
- ⑨ **SOURCE:** – selects CD/MP3-CD, iPod mode, Tuner or AUX
- ⑩ **POWER** – powers on/off the system

- ⑪ **▶||** – starts or pauses disc/iPod playback
◀◀ ▶▶
For disc/ iPod play:
– skips to the beginning of a current/ previous/ later track
– fast searches backwards and forwards within a track
For Tuner:
– tunes to a radio station
■ – stops disc playback;
– erases a program
DBB – turns on/off bass enhancement
- ⑫ **📎** – 3.5 mm stereo headphone socket
Helpful hints: *The speakers will be muted when headphones are connected to the set.*
- ⑬ **AUX jack** – connects an external source (3.5 mm socket)
- ⑭ **Battery door** – opens to insert 6 x 1.5V **R-20/ -UM1/ D-cells**
- ⑮ **Disc tray** – loads a disc
- ⑯ **iR** – infrared sensor for remote control



Removing the insulation plastic tab before use