



AZ1302



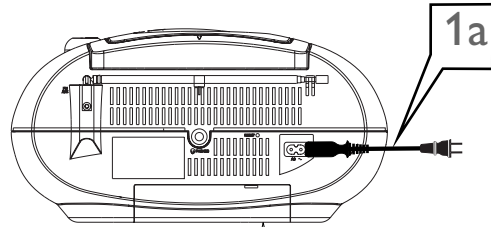
PHILIPS

1 Choosing Power Supply

a Connect the AC power cord to the **AC ~** inlet and the wall socket.

-OR-

b Open the battery door and insert 8 x **C** batteries (not included).



2 Listening to the Radio

a Push the **source selector** to **TUNER**

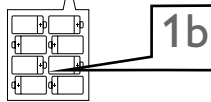
b Press **STOP/BAND** ■ to select FM or MW

c Press and hold **PROG** until the frequency and **MEMORY** flash

- Available stations are programmed (FM or MW).

d Press **ALBUM/ PRESET** -, + once or more until the desired preset station is displayed.

R-14, UM-2 or C-cells (not included)



3 Playing a disc

This player plays Audio Discs including CD-R/CD-RW, and MP3-CD.

IMPORTANT: For a disc with CD Audio tracks and MP3 files, only the CD audio tracks will be played.

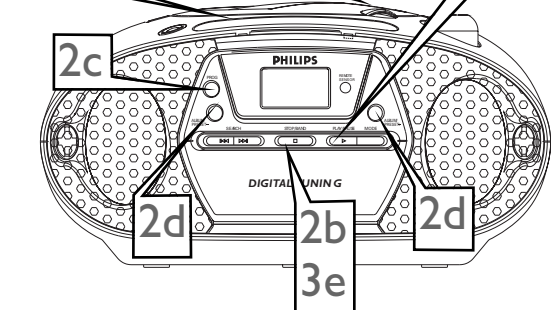
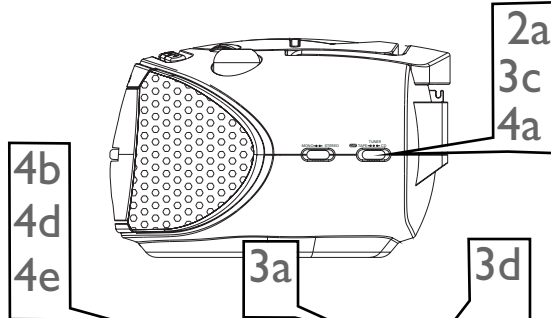
a Lift the CD door at **LIFT TO OPEN**.

b Insert a CD with the printed facing up and press the CD door gently.

c Adjust the **source selector** to **CD**.

d Press ►|| to start playback.

e To stop disc playback, press ■.



4 Playing a tape

a Adjust the **source selector** to **TAPE/OFF**.

b Press ■▲ to open the cassette holder.

c Insert a cassette and close the door.

d Press ◀ to start playback.

e To stop the tape, press ■▲.



VOLUME
Turn to adjust volume level

CASSETTE RECORDER keys
Press to operate a tape.

MONO•STEREO
Slide to select mono or stereo FM reception

Source selector
Slide to select functions: **CD, TUNER** or **OFF**.

LIFT TO OPEN
Lift here to open the CD door:

Telescopic antenna
Improves FM reception.

DBB
Press to turn the bass enhancement on/off.

Display
Shows the status of the set

PROG
Use to program CD tracks or preset radio stations.

ALBUM/ PRESET +
MP3 only: Press to select an album (up);
TUNER: Press to select a preset radio station (up)

ALBUM/ PRESET -
MP3 only: Press to select an album (down);
TUNER: Press to select a preset radio station (down)

MODE
Press to select different-play modes, such as REPEAT or RANDOM

SEARCH ◀◀ ▶▶
Skips & searches CD tracks backwards/ forwards;
Tunes to radio stations (down/up).

STOP/BAND ■
Press to stop CD playback or erase a CD program;
Press to select wavebands.

REMOTE CONTROL

Insert 2 batteries, type **AA, R06** or **UM3** (not included)