

# Always there to help you

Register your product and get support at  
[www.philips.com/support](http://www.philips.com/support)



AZ127



## User manual

# PHILIPS

# Release notes

**This user manual has the following changes compared with V1.0 user manual:**

- ① Operation power consumption changes to 10W.
- ② The dimension(W x H x D) of the CD sound machine is updated to 300 x 134 x 240 mm.
- ③ The weight of the CD sound machine is updated to 1.5 kg.

# Contents

---

<b>1</b>	<b>Important</b>	<b>2</b>
	Mains fuse	2

---

<b>2</b>	<b>Your CD Soundmachine</b>	<b>3</b>
	Introduction	3
	What's in the box	3
	Overview of the main unit	4

---

<b>3</b>	<b>Get started</b>	<b>6</b>
	Connect power	6
	Turn on	7
	Turn off	7

---

<b>4</b>	<b>Play</b>	<b>7</b>
	Play a CD	7
	Play from an external device	8
	Play tape	8
	Tune to FM radio stations	9

---

<b>5</b>	<b>Play options</b>	<b>9</b>
	Control play	9
	Program tracks	9
	Adjust sound	10

---

<b>6</b>	<b>Product information</b>	<b>11</b>
	Specifications	11
	Maintenance	11

---

<b>7</b>	<b>Troubleshooting</b>	<b>12</b>
----------	------------------------	-----------

---

<b>8</b>	<b>Notice</b>	<b>14</b>
----------	---------------	-----------

# 1 Important

- Read these instructions.
- Follow all instructions.
- Do not block any ventilation openings. Install in accordance with the manufacturer's instructions.
- Do not install near any heat sources such as radiators, heat registers, stoves, or other apparatus (including amplifiers) that produce heat.
- Protect the power cord from being walked on or pinched, particularly at plugs, convenience receptacles, and the point where they exit from the unit.
- Only use attachments/accessories specified by the manufacturer.
- Unplug this unit during lightning storms or when unused for long periods of time.
- Refer all servicing to qualified service personnel. Servicing is required when the unit has been damaged in any way, such as power-supply cord or plug is damaged, liquid has been spilled or objects have fallen into the apparatus, the unit has been exposed to rain or moisture, does not operate normally, or has been dropped.
- Battery usage CAUTION – To prevent battery leakage which may result in bodily injury, property damage, or damage to the unit:
  - Install all batteries correctly, + and - as marked on the unit.
  - Do not mix batteries (old and new or carbon and alkaline, etc.).
  - Remove batteries when the unit is not used for a long time.
- Batteries (battery pack or batteries installed) shall not be exposed to excessive heat such as sunshine, fire or the like.
- CAUTION: Danger of explosion if battery is incorrectly replaced. Replace only with the same or equivalent type.
- The unit shall not be exposed to dripping or splashing.

- Do not place any sources of danger on the unit (e.g. liquid filled objects, lighted candles).
- Where the MAINS plug or an appliance coupler is used as the disconnect device, the disconnect device shall remain readily operable.
- The CD Soundmachine can be used in tropical climate zone.

## Warning

- Never remove the casing of this apparatus.
- Never place this apparatus on other electrical equipment.
- Never look into the laser beam inside this apparatus.

## Caution

- Use of controls or adjustments or performance of procedures other than herein may result in hazardous radiation exposure or other unsafe operation.

---

## Mains fuse

This information applies only to products with a UK mains plug.

This product is fitted with an approved molded plug. If you replace the fuse, use one with:

- the ratings shown on the plug,
- a BS 1362 approval, and
- the ASTA approval mark.

Contact your dealer if you are not sure about what type of fuse to use.

Caution: To conform with the EMC directive (2004/108/EC), do not detach the plug from the power cord.

## 2 Your CD Soundmachine

---

### Introduction

With this CD Soundmachine, you can:

- listen to FM radio;
- enjoy audio from discs, tapes, and other external audio devices;
- program the play sequence of tracks.

The unit offers you Dynamic Bass Boost (DBB) to enrich sound.

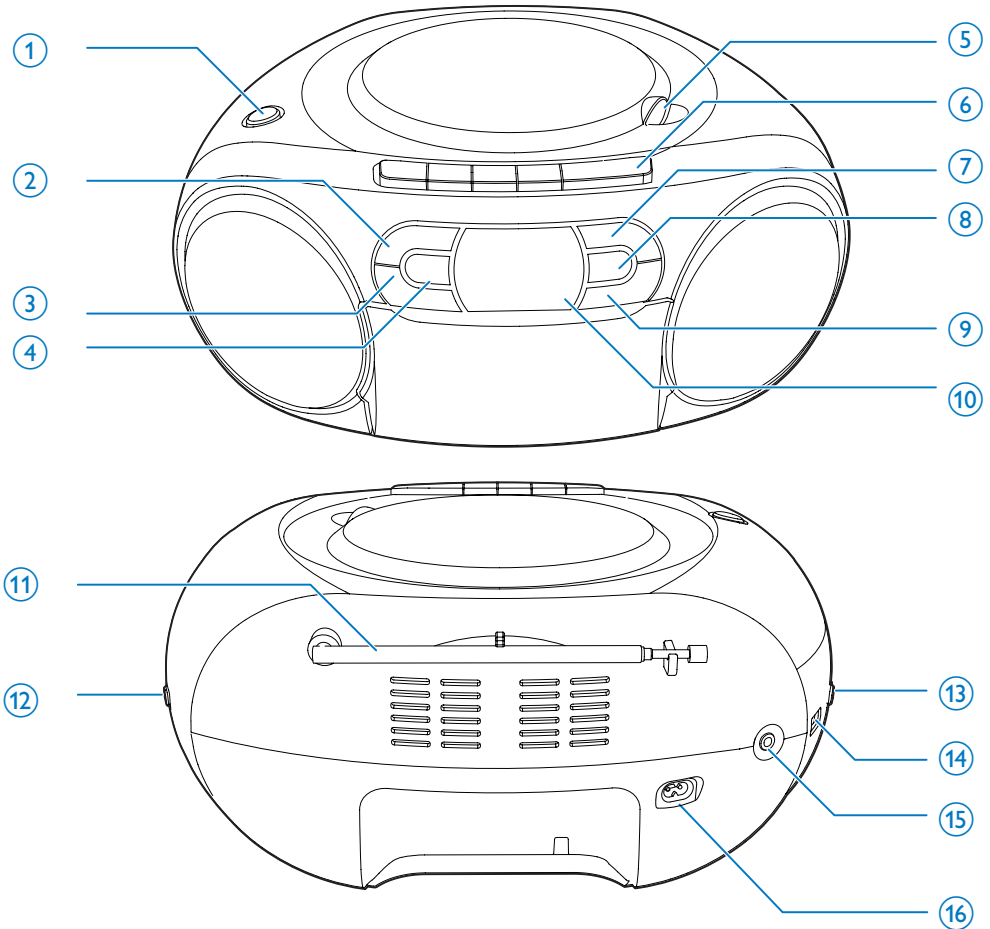
---

### What's in the box

Check and identify the contents of the package:

- CD sound machine
- Power plug
- Short User Manual

## Overview of the main unit



① **DBB**

- Turn dynamic bass boost on/off.

② **REPEAT**

- Play a track or all tracks repeatedly.

③ **■ / ▶ ||**

- Start or pause play.

④ **⏻**

- Turn on/off the unit.
- Press to wake up the unit from standby mode.

⑤ **OPEN•CLOSE**

- Open or close the disc compartment.

⑥ **Tape controls**

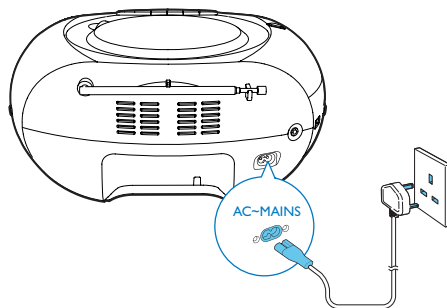
- **▶**  
Start tape play.
- **◀◀ / ▶▶**  
Fast rewind or fast forward the tape.  
Stop the tape play or open the tape door.
- **||**  
Pause tape playback.

- ⑦ **SHUFFLE**
  - Play tracks randomly.
- ⑧ **PROG**
  - Program the play sequence of tracks.
- ⑨ **⏮ / ⏭**
  - Skip to the previous or next track.
  - Search within a track.
- ⑩ **Display panel**
  - Only works in CD/AUDIO IN mode.  
In other modes, the display is always off.
- ⑪ **FM antenna**
  - Improve FM reception.
- ⑫ **TUNING +/-**
  - Tune to FM radio stations.
- ⑬ **VOL +/-**
  - Adjust volume
- ⑭ **Source selector**
  - Select a source.
- ⑮ **AUDIO-IN**
  - Connect an external audio device.
- ⑯ **AC MAINS ~**

# 3 Get started

## ! Caution

- Use of controls or adjustments or performance of procedures other than herein may result in hazardous radiation exposure or other unsafe operation.



Always follow the instructions in this chapter in sequence.

If you contact Philips, you will be asked for the model and serial number of your apparatus. The model number and serial number are on the bottom of your apparatus. Write the numbers here:

Model No. \_\_\_\_\_

Serial No. \_\_\_\_\_

## Connect power

The unit can be powered by either AC power or batteries.

### Option 1: AC power

## ! Warning

- Risk of product damage! Make sure that the power supply voltage corresponds to the voltage printed on the back or the underside of the unit.
- Risk of electric shock! When you disconnect the AC power, always pull the plug from the socket. Never pull the cord.

Connect the AC power cord to:

- the wall socket
- the **AC MAINS** ~ socket of the CD sound machine

## \* Tip

- To save energy, turn the unit off after use.

### Option 2: Battery power

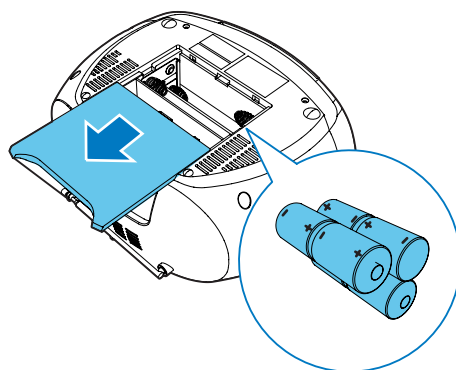
## ! Caution

- Batteries contain chemical substances, so they should be disposed of properly.

## ≡ Note

- Batteries are not supplied with the accessories.

- 1 Open the battery compartment.
- 2 Insert 6 batteries (type: 1.5V R14/UM2/C CELL) with correct polarity (+/-) as indicated.
- 3 Close the battery compartment.





---

## Turn on

Press  $\phi$ .

- ↳ When the source selector is in the **AUDIO-IN/CD** position, - - is displayed.

### Switch to standby mode

- The unit switches to standby mode automatically when there is no audio detected for over 15 minutes.
- In CD/FM/AUDIO IN mode, press  $\phi$  to wake up the unit from standby mode.

---

## Turn off

Press  $\phi$  again.

# 4 Play

---

## Play a CD

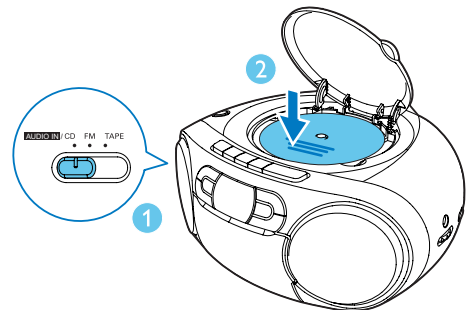
### Note

- You cannot play CDs encoded with copyright protection technologies.

You can play commercially available audio CDs:

- CD-Recordables (CD-R)
- CD-Rewritables (CD-RW)

- 1 Switch the source selector to **AUDIO-IN/CD**.
- 2 Open the CD compartment.
- 3 Insert a CD with the printed side facing up and close the CD lid gently.
  - ↳ The total number of tracks displays.
- 4 Press  $\blacktriangleright\|\blacktriangleleft$  to start play.
  - ↳ [ $\blacktriangleright$ ] displays.
  - To select a track, press  $\blacktriangleleft\blacktriangleleft / \blacktriangleright\blacktriangleright$ .
  - To pause CD play, press  $\blacktriangleright\|\blacktriangleleft$ .
    - ↳ [ $\blacktriangleright$ ] flashes.
  - To resume CD play, press  $\blacktriangleright\|\blacktriangleleft$  again.
  - To stop CD play, press  $\blacksquare$ .



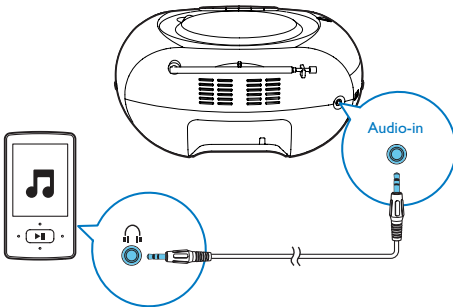
## Play from an external device

You can also listen to an external audio device through this unit.

- 1 Switch the source selector to **AUDIO-IN/CD**.
- 2 Connect an audio cable (3.5mm, not supplied) to:
  - the **AUDIO-IN** socket on the unit.
  - the headphone socket on an external device.
- 3 Play the external device (see the device's user manual).

### Note

- The **AUDIO-IN** socket is not for headphones.
- The display panel lights off when the unit plays from the external device.



## Play tape

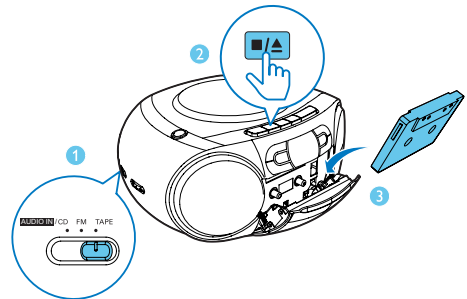
### Note

- The unit will turn off automatically after an elapsed time of inactivity at tape mode.

- 1 Slide the source selector to **TAPE**.  
↳ The unit turns on automatically.
- 2 Press **■▲** on main unit to open the tape door.
- 3 Load the tape with the open side upward and the full spool to the right.
- 4 Press **◀** on main unit to start play.
  - To pause/resume play, press **||** on main unit.
  - To rewind or fast-forward, press **◀◀** / **▶▶** on main unit.
  - To stop play, press **■▲**.  
↳ The unit turns off automatically.

### Note

- In playback mode, cassette will be stopped automatically when playback reaches the end.

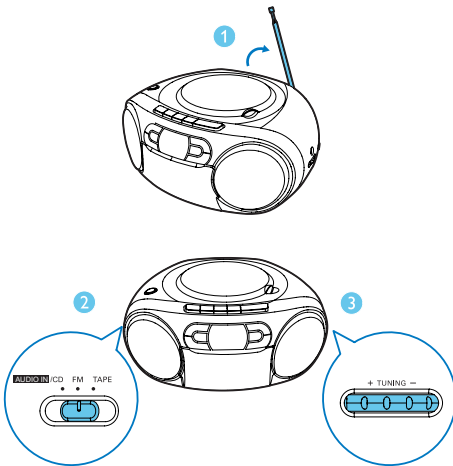


## Tune to FM radio stations

### Note

- For optimal reception, fully extend and adjust the position of the FM antenna.

- 1 Switch the source selector to **FM**.
- 2 Rotate **TUNING** to select a station.
- 3 Repeat step 2 to tune to more stations.



## 5 Play options

### Control play

In CD mode, you can control play through the following operations.

◀◀ / ▶▶	Press: skip to the previous/next track Hold: search within play, then release to resume play.
▶	Start or pause play.
■	Stop play.
PROG	Program tracks.
+VOLUME-	Adjust volume.
REPEAT	[🔄]: Play the current track repeatedly. [🔄ALL]: Play all tracks repeatedly. [🔄🔄ALL]: Repeat all tracks randomly. To return to normal play, press <b>REPEAT</b> repeatedly until the repeat icons disappear.
SHUFFLE	[🔀]: Play tracks randomly. To return to normal play, press <b>SHUFFLE</b> repeatedly until the shuffle icon disappears.

### Tip

- Only [🔄] and [🔄ALL] can be selected when you play the programmed tracks.

### Program tracks

In CD mode, you can program a maximum of 20 tracks.

- 1 Press **■** to stop playback.
- 2 Press **PROG** to activate the program mode.  
↳ **[PROG]** (program) begin to blink.
- 3 Press **◀◀ / ▶▶** to select a track number, then press **PROG** to confirm.
- 4 Repeat steps 3 to program more tracks.
- 5 Press **▶▶** to play the programmed tracks.  
↳ During play, **[PROG]** (program) is displayed.
  - To erase the program, press **■** twice.
  - To review the program, when playback is stopped, press and hold **PROG** for 2 seconds.

---

## Adjust sound

During play, you can adjust volume and select the sound effects.

Key	Function
<b>+VOLUME-</b>	Increase or decrease volume.
<b>DBB</b>	Turn dynamic bass enhancement on or off.

# 6 Product information

## Note

- Product information is subject to change without prior notice.

## Specifications

### Amplifier

Rated Output Power	2 W RMS
Frequency Response	125 -16000 Hz, -3dB
Signal to Noise Ratio	>55 dBA
Total Harmonic Distortion	<1 %
Audio-in Input	650 mV RMS

### Disc

Laser Type	Semiconductor
Disc Diameter	12cm/8cm
Support Disc	CD-DA, CD-R, CD-RW
Audio DAC	24Bits / 44.1kHz
Total Harmonic Distortion	<1%
Frequency Response	125 -16000 Hz, -3dB
S/N Ratio	>55 dBA

### Tuner

Tuning Range	87.5 - 108MHz
Total Harmonic Distortion	<3%
Signal to Noise Ratio	>50 dBA

### Tape deck

Frequency response	125 - 8000 Hz (8 dB)
- Normal tape (type I)	
Signal-to-noise ratio	35 dBA
- Normal tape (type I)	
Wow and flutter	≤ 0.4% DIN

### General

Power supply	220-240V~, 50/60 Hz;
- AC Power	
- Battery	=== 9 V, 6 x 1.5 V type: R14/UM2/C CELL
Operation Power Consumption	10 W
Standby Power Consumption	<0.5 W
Dimensions	300 x 134 x 240 mm
- Main Unit (W x H x D)	
Weight (Main Unit)	1.5 kg

## Maintenance

### Clean the cabinet

- Use a soft cloth slightly moistened with a mild detergent solution. Do not use a solution containing alcohol, spirits, ammonia or abrasives.

### Clean discs

- When a disc becomes dirty, clean it with a cleaning cloth. Wipe the disc from the centre out.



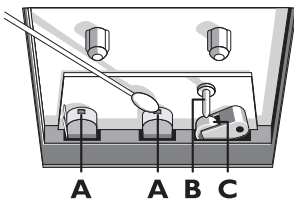
- Do not use solvents such as benzene, thinner, commercially available cleaners, or antistatic spray intended for analogue records.

#### Clean the disc lens

- After prolonged use, dirt or dust may accumulate at the disc lens. To ensure good play quality, clean the disc lens with Philips CD lens cleaner or any commercially available cleaner. Follow the instructions supplied with cleaner.

#### Clean the heads and the tape paths

- To ensure good playback quality, clean the heads **A**, the capstan(s) **B**, and pressure roller(s) **C** after every 50 hours of tape operation.
- Use a cotton swab slightly moistened with cleaning fluid or alcohol.



- You can also clean the heads by playing a cleaning tape once.

#### Demagnetise the heads

- Use a demagnetising tape available at your dealer.

## 7 Troubleshooting



#### Warning

- Never remove the casing of this device.

To keep the warranty valid, never try to repair the system yourself.

If you encounter problems when using this device, check the following points before requesting service. If the problem remains unsolved, go to the Philips Web page ([www.philips.com/support](http://www.philips.com/support)). When you contact Philips, make sure that the device is nearby and the model number and serial number are available.

#### No power

- Ensure that the Mains cord is connected securely.
- Ensure that there is power at the AC Mains.
- Ensure that the batteries are inserted correctly.

#### No display

- The display works only in CD/AUDIO IN mode. Check if the SOURCE selector is switched at CD/AUDIO IN mode.

#### No sound or poor sound

- Adjust the volume.

#### No response from the unit

- Disconnect and reconnect the AC power plug, then turn on the system again.
- As a power-saving feature, the unit switches off automatically 15 minutes after track play reaches the end and no control is operated.

#### Poor cassette sound quality

- Ensure that heads in the cassette holder are clean.

#### Cassette does not work for record

- The device does not support tape recording.

**No disc detected**

- Insert a disc.
- Check if the disc is inserted upside down.
- Wait until the moisture condensation at the lens has cleared.
- Replace or clean the disc.
- Use a finalized CD or correct format disc.

**Poor radio reception**

- Increase the distance between the unit and your TV or VCR.
- Fully extend the FM antenna.

# 8 Notice

Hereby, Gibson Innovations declares that this product is in compliance with the essential requirements and other relevant provisions of Directive 2014/53/EU. You can find the Declaration of Conformity on [www.philips.com/support](http://www.philips.com/support).

Any changes or modifications made to this device that are not expressly approved by Gibson Innovations may void the user's authority to operate the equipment.

## Disposal of your old product



Your product is designed and manufactured with high quality materials and components, which can be recycled and reused.



This symbol on a product means that the product is covered by European Directive 2012/19/EU. Inform yourself about the local separate collection system for electrical and electronic products. Follow local rules and never dispose of the product with normal household waste. Correct disposal of old products helps prevent negative consequences for the environment and human health.

## Environmental information

All unnecessary packaging has been omitted. We have tried to make the packaging easy to separate into three materials: cardboard (box), paper pulp (buffer) and polyethylene (bags, protective foam sheet.)

Your system consists of materials which can be recycled and reused if disassembled by a specialized company. Please observe the local regulations regarding the disposal of packaging materials, exhausted batteries and old equipment.

This apparatus includes these labels:



Class II equipment symbol



This symbol indicates that the apparatus has a double insulation system.



The making of unauthorized copies of copy-protected material, including computer programs, files, broadcasts and sound recordings, may be an infringement of copyrights and constitute a criminal offence. This equipment should not be used for such purposes.

## Note

- The type plate is located on the bottom of the apparatus.







Specifications are subject to change without notice

Copyright © 2012 Gibson Innovations Limited. Revised Edition © 2017

This product has been manufactured by, and is sold under the responsibility of Gibson Innovations Ltd., and Gibson Innovations Ltd. is the warrantor in relation to this product. Philips and the Philips Shield Emblem are registered trademarks of Koninklijke Philips N.V. and are used under license.

AZ127\_05\_UM\_V4.0

