



AZ1134



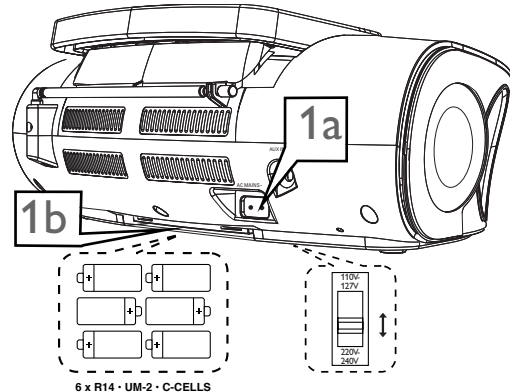
PHILIPS

**1 Choosing Power Supply**

a Connect the AC power cord to the **AC MAINS** inlet and the wall socket.

-OR-

b Open the **battery door** and insert 6 x C batteries (not included).



R-14, UM-2 or C-cells (not included)

**Voltage selector**  
Adjust to match the local voltage 110/220V before plugging in the set

**2 Listening to the Radio**

a Push the **source selector** to **FM** or **MW** to select your waveband.

b Turn **TUNING** to tune to a station.

**3 Playing a disc**

This CD player Audio Discs including CD-Recordables and CD-Rewritables, and MP3-CD.

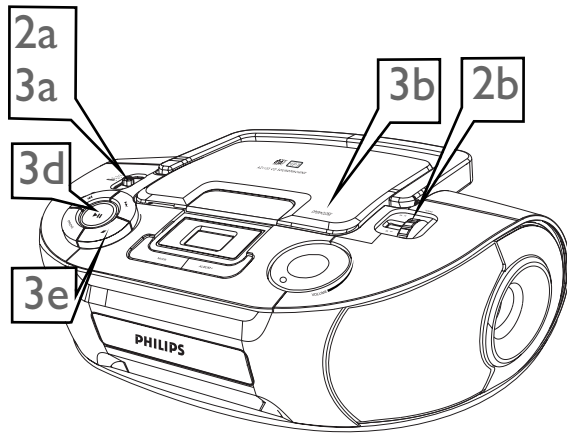
a Adjust the **source selector** to **CD/MP3**.

b Open the disc door.

c Insert a disc with the printed side facing up and close the door.

d Press **▶||** to start playback.

e To stop disc playback, press **■**.



**Source selector**  
Slide to select function: CD/MP3, radio (FM/MW)

**▶||**  
Press to start or pause disc playback

**▶▶, ◀◀**  
Briefly press to skip to the beginning of the current/previous/ later disc track;  
During disc playback, press and hold to find a particular passage backward/forward

**PROG**  
Use to program disc tracks

**■**  
Press to stop disc playback or erase a disc program

**Telescopic antenna**  
Improves FM reception

**Battery door**

**OPEN•CLOSE**  
Push to open the disc door

**TUNING**  
Turn to tune to a station

**VOLUME**  
Turn to adjust volume level

**Display**  
Shows disc functions

**ALBUM+**  
For **MP3-CD**: Press to select albums

**MODE**  
Press to select different play modes, such as **REPEAT** or **SHUFFLE** (random order)

**AC MAINS**  
inlet for the AC power cord.

