

Quick Use Guide

AZ1130



PHILIPS

1 Choosing Power Supply

- a Connect the AC power cord to the **AC~ Mains** inlet and the wall socket.
- OR-
- b Open the **battery door** and insert 6 x C batteries (not included).

2 Listening to the Radio

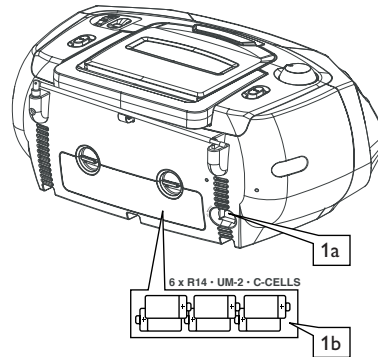
- a Push the **source selector** to **TUNER**.
- b Adjust **BAND** to **MW** or **FM**.
- c Turn **TUNING** to tune to a station.

3 Playing a disc

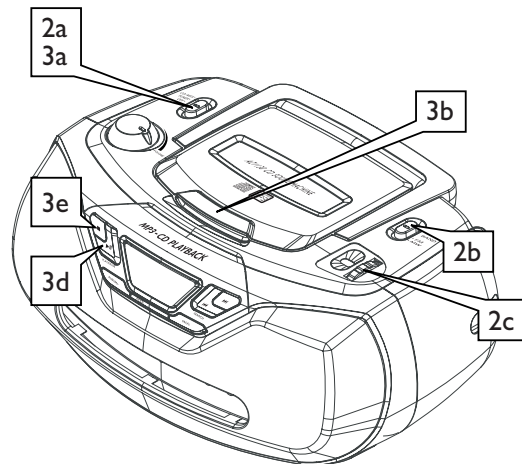
This player plays Audio Discs including CD-R/CD-RW, and MP3-CD.

IMPORTANT: For a disc with CD Audio tracks and MP3 files, only the CD audio tracks will be played.

- a Adjust the **source selector** to **CD/MP3**.
- b Open the disc door.
- c Insert a disc with the printed side facing up and close the door.
- d Press **PLAY/PAUSE ►||** to start playback.
- e To stop disc playback, press **■**.



R-14, UM-2 or C-cells (not included)



Source selector
Slide to select function: CD/MP3-CD, or radio.

VOLUME
Turn to adjust volume level.

LIFT TO OPEN
Lift to open the disc door.

■
Press to stop disc playback, or erase a disc program.

PLAY/PAUSE ►||
Press to start or pause disc playback..

ALBUM+ (up)
For MP3-CD only:
Press to select albums

MODE
Press to select different play modes, such as REPEAT or SHUFFLE (random order)

TUNING
Turn to tune to a station.

BAND
Slide to select waveband

Telescopic antenna
Improves FM reception.

SEARCH
◀▶
Briefly press to skip to the beginning of the current/previous/ later disc track; During disc playback, press and hold to find a particular passage backward/forward.

PROG
Use to program disc tracks and review a disc program.

Display
Shows disc functions

Battery door

AC~ MAINS
inlet for the AC power cord.

• Remote control not supplied

