

MP3-CD Soundmachine

AZ1130

Meet Philips at the Internet

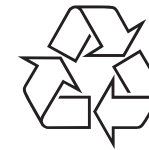
<http://www.philips.com>

User Manual

Manuel d'utilisation

Manual del usuario

Manual do usuário



AZ 1130

PHILIPS



Printed in China

JH-0530

Mexico

Es necesario que lea cuidadosamente su instructivo de manejo.



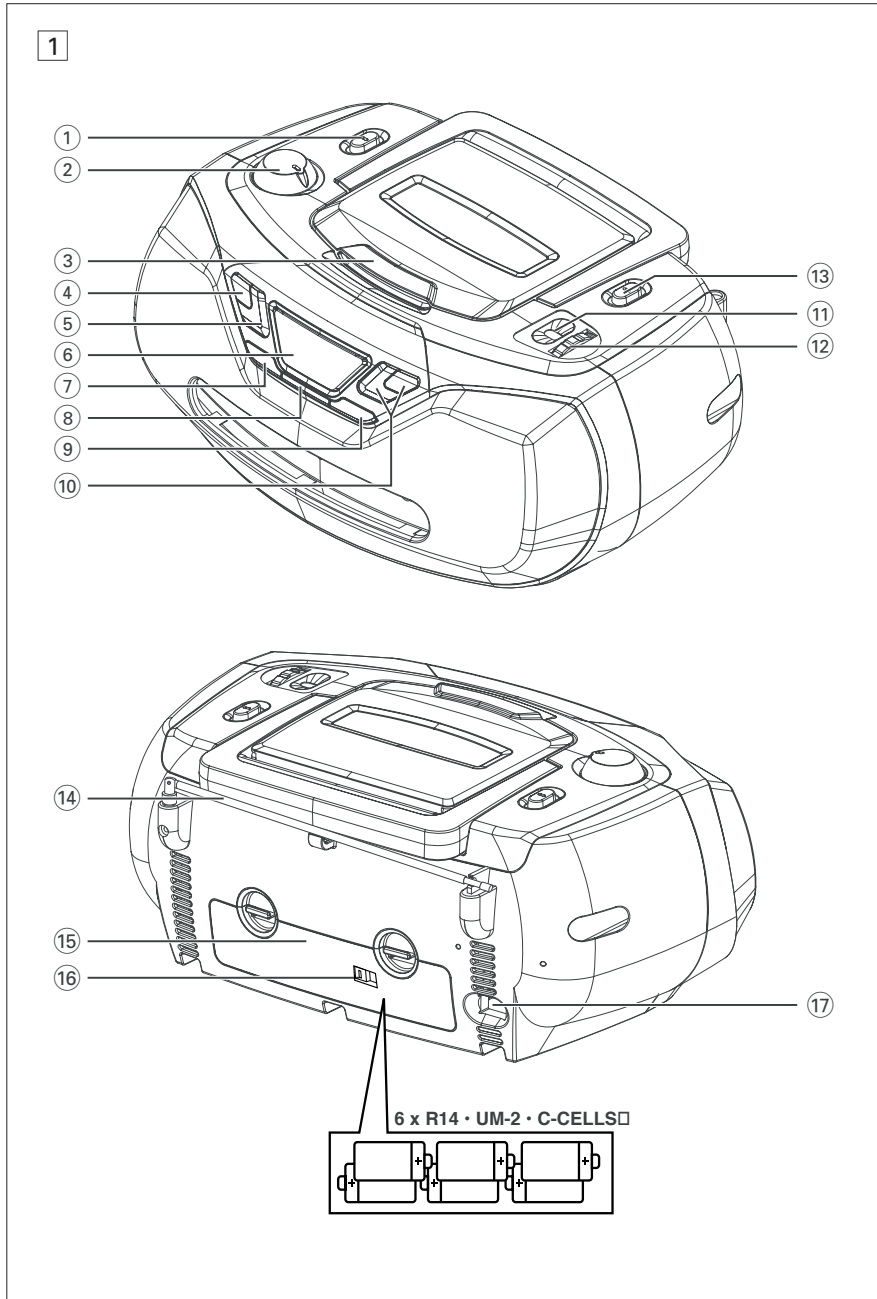
Descripción:	Radio MW/FM con reproductor de CD/CD-MP3
Modelo:	AZ 1130/55
Alimentación:	110-127/220-240 V; ~50-60 Hz
Consumo:	12 W
Importador:	Philips Mexicana, S.A. de C.V.
Domicilio:	Av. La palma No. 6 Col. San Fernando la Herradura, Huixquilucan
Localidad y Telefono:	Edo. de México C.P. 52784 Tel. 52 69 90 00
Exportador:	Philips Electronics Hong Kong Ltd.
País de Origen:	China
Nº de Serie:	_____

**LEA CUIDADOSAMENTE ESTE INSTRUCTIVO
ANTES DE USAR SU APARATO.**

AVISO IMPORTANTE

Philips Mexicana, S.A. de C.V. no se hace responsable por daños o desperfectos causados por:

- Maltrato, descuido o mal uso, presencia de insectos o roedores (cucarachas, ratones etc.).***
- Cuando el aparato no haya sido operado de acuerdo con el instructivo del uso, fuera de los valores nominales y tolerancias de las tensiones (voltaje), frecuencia (ciclaje) de alimentación eléctrica y las características que deben reunir las instalaciones auxiliares.***
- Por fenómenos naturales tales como: temblores, inundaciones, incendios, descargas eléctricas, rayos etc. o delitos causados por terceros (choques asaltos, riñas, etc.).***



2

MP3 ALBUM
▶ 012

7

3

MP3
▶ 009

4

PROG PO1

5

REP ALL
PROG ▶ 002

6

SHUF ▶ 006

English

Supplied accessories

AC power cord

Top and front panels (See 1)

- ① **Source selector** : **CD/MP3, TUNER, OFF**
 - selects CD/MP3-CD or radio
 - switches off the set
- ② **VOLUME** – adjusts volume level
- ③ **LIFT TO OPEN** – lifts here to open the disc door
- ④ **■** – stops disc playback;
 - erases a program;
- ⑤ **PLAY/PAUSE ►II** - starts or pauses disc playback
- ⑥ **Display** – shows disc functions
- ⑦ **ALBUM+ (up)**
 - **For MP3-CD only**; select albums
- ⑧ **MODE** – selects different play modes: e.g. REPEAT or SHUFFLE (random order)
- ⑨ **PROG** – programs tracks and reviews the program
- ⑩ **SEARCH ◀◀ ▶▶**
 - skips to the beginning of a current/ previous/ later track
 - searches backwards and forwards within a track
- ⑪ **Frequency indicator** – shows the radio frequency of your selected waveband
- ⑫ **TUNING** – tunes to radio stations
- ⑬ **BAND** – selects wavebands, MW or FM

Controls / Power Supply

Back panel (See 1)

- ⑭ **Telescopic antenna** – improves FM reception
- ⑮ **Battery door** – open to insert 6 x 1.5V **R-14/ UM2/ C-cells**
- ⑯ **Voltage selector** – (not for all versions) adjust to match the local voltage 110/220V before plugging in the set
- ⑰ **AC~ MAINS** – inlet for power cord

CAUTION

Use of controls or adjustments or performance of procedures other than herein may result in hazardous radiation exposure or other unsafe operation.

Power Supply

Whenever convenient, use the power supply cord if you want to conserve battery life. Make sure you remove the plug from the set and wall outlet before inserting batteries.

Batteries (not included)

- 1 Open the battery compartment door and insert six batteries, type **R-14, UM-2** or **C-cells**, (preferably alkaline) with the correct polarity as indicated by the "+" and "-" symbols inside the compartment (See 1).
 - 2 Replace the compartment door, making sure the batteries are firmly and correctly in place. The set is now ready to operate.
- Incorrect use of batteries can cause electrolyte leakage and will corrode the compartment or cause the batteries to burst:
 - Do not mix battery types: e.g. alkaline with carbon zinc. Only use batteries of the same type for the set.
 - When inserting new batteries, do not try to mix old batteries with the new ones.

Power Supply

- Remove the batteries if the set is not to be used for a long time.
Batteries contain chemical substances, so they should be disposed of properly.

Using AC power

- 1 Check if the power/mains voltage, **as shown on the type plate located on the bottom of the set**, corresponds to your local power supply. If it does not, consult your dealer or service center.
 - 2 If your set is equipped with a voltage selector, adjust the selector so that it matches with the local power supply.
 - 3 Connect the power cord to the **AC~ MAINS** inlet and the wall socket. The set is now ready for use.
 - 4 To switch the set off completely, withdraw the power cord from the wall socket.
 - 5 Install the unit near the AC outlet and where the AC power plug can be easily reached.
- Disconnect the power cord from the wall socket to protect your set during heavy thunderstorms.

The type plate is located on the bottom of the set.

Helpful hints:

- To avoid unnecessary energy consumption, always adjust the **source selector** to **OFF** after using the set.

Basic Function / Radio

Basic functions

Switching on/off the set:

- 1 To switch on, adjust the **source selector** to **CD/MP3** or **TUNER** as desired.
- 2 To switch off, adjust the **source selector** to **OFF**.

Adjusting volume

Adjust the volume with the **VOLUME** control.

Radio reception

- 1 Push the **source selector** to **TUNER**.
- 2 Adjust the **BAND** to **MW** or **FM** to select your desired waveband.
- 3 Turn **TUNING** to tune in a radio station.
- 4 To switch off the radio, adjust the **source selector** to **OFF**.

Helpful hints:

To improve reception

- For **FM**, extend, incline and turn the telescopic antenna. Reduce its length if the signal is too strong.
- For **MW**, uses a built-in antenna. Direct this antenna by turning the whole set.

MP3-CD/ CD Player

About MP3

The music compression technology MP3 (MPEG1 Audio Layer 3) significantly reduce the digital data of an audio CD while maintaining CD quality sound.

- **Getting MP3 files:** you can either download legal music files from the internet to your computer hard disc, or create such files by converting audio CD files in your computer through appropriate encoder software. (128kbps bit rate or higher is recommended for MP3 files.)
- **Creating a MP3 CD:** burn the music files from your computer hard disc on a CDR or CDRW using your CD burner.

Helpful Hints:

– Make sure that the file names of the MP3 files end with **.mp3** .

– Total number of music files and albums: around 350 (with a typical file name length of 20 characters)

– The length of file names affects the number of tracks for playback. With shorter file names, more files can be burned on a disc.

Playing a disc

This player plays Audio Discs including CD-R/ CD-RW, and MP3 CD. Do not try to play a CD-ROM, CD-I, CDV, VCD, DVD or computer CD.

IMPORTANT!

- CDs encoded with **copyright protection technologies** by some record companies may be unplayable by this product.
 - For a disc with CD Audio tracks and MP3 files, only the CD Audio tracks will be played.
- 1 Adjust the **source selector** to **CD/MP3**.
→ Display: - - - appears.
 - 2 To open the disc door, lift the disc door at the edge marked **LIFT TO OPEN**.

- 3 Insert a disc with the printed side facing up and press the disc door gently close.
→ Display: The total number of tracks appears.
- 4 Press **PLAY/PAUSE** to start playback.
→ Display: ▶ and the current track number.
For MP3-CD only:
→ The current track number “XXXX” and album number “ALBUM XXXX” will be displayed interchangeably. (See [2] [3])
- 5 To pause playback press **PAUSE**.
→ Display: ▶ and the current track number flash.
- 6 Press **PLAY/PAUSE** again to resume playback.
- 7 To stop playback, press **STOP**.

Helpful hints:

- The disc playback will also stop when:
- you open the disc compartment door;
 - you select **TUNER** or **OFF** position;
 - the disc has reached the end of the playback.

Selecting a different track

- Press **PREV** or **NEXT** once or repeatedly until the desired track number appears in the display.
For MP3-CD: First press **ALBUM +** (up) once or more to find your album.
- In the pause/stop position, press **PLAY/PAUSE** to start playback.

Finding a passage within a track

- 1 During playback, press and hold down **PREV** or **NEXT**.
→ The disc is played at high speed and low volume.
- 2 When you recognize the passage you want, release **PREV** or **NEXT**.
→ Normal playback resumes.

Helpful hints:

- When your searching reaches the end of the last track, the disc playback stops.

MP3-CD/CD Player

Programming tracks

You may store up to 20 tracks (for MP3-CD: 10 tracks) in the desired sequence. If you like, store any track more than once.

- 1 In the stop position, press **PROG** to start programming.
→ Display shows **PROG 1** indicating the start of the program. **PROG** flashes. (See [4])
- 2 Press **PREV** or **NEXT** to select your desired track number.
For MP3-CD: first press **ALBUM +** once or more to find your album.
- 3 Press **PROG** to store the desired track.
→ Display shows **PROG 2** (up to **PROG 10** in sequence), indicating the next program location available.
- 4 Repeat steps 2 to 3 to select and store all desired tracks.
- 5 Press **PLAY/PAUSE** to play the program.

To review your program

In the stop position, press and hold **PROG** 2 seconds.

→ The display shows all the stored tracks in sequence.

Helpful hints:

- Display shows **PROG 1** if no track is programmed
- If you try to store more than 20 tracks (for MP3-CD: 10 tracks), no track can be selected and the display will show **PROG - -**.

To erase a program

You can erase a program by:

- pressing **STOP** (twice during playback or once in the stop position);
- selecting **TUNER** or **OFF** position;
- opening the disc door.
→ Display: **PROG** disappears.

Selecting different play modes (See [5], [6])

You can select and change the various play modes before or during playback, and combine REPEAT modes with **PROG**.

REP – plays the current track continuously.

REP ALL – plays the entire disc/program continuously.

SHUF – plays all tracks in random order.

- 1 To select play modes, press **MODE** once or more.
- 2 Press **PLAY/PAUSE** to start playback if in the stop position.
→ The disc will play automatically around few seconds later when SHUF mode is selected.
- 3 To select normal playback, press **MODE** repeatedly until the various modes are no longer displayed.
– You can also press **STOP** once or more to cancel your play modes.

Safety & Maintenance

Safety information (See 7)

- Place the set on a hard, flat and stable surface so that the system does not tilt.
- Do not expose the set, batteries, CDs to humidity, rain, sand or excessive heat caused by heating equipment or direct sunlight.
- The apparatus shall not be exposed to dripping or splashing.
- Adequate ventilation with a minimum gap of 15 cm between the ventilation holes and surrounding surfaces is necessary to prevent heat build-up.
- The ventilation should not be impeded by covering the ventilation openings with items, such as newspapers, table-cloths, curtains, etc..
- No objects filled with liquids, such as vases, shall be placed on the apparatus.
- No naked flame sources, such as lighted candles, should be placed on the apparatus.
- The mechanical parts of the set contain self-lubricating bearings and must not be oiled or lubricated.
- To clean the set, use a dry cloth. Do not use any cleaning agents containing alcohol, ammonia, benzene or abrasives as these may harm the housing.

CD player and CD handling (See 7)

- If the CD player cannot read CDs correctly, use a cleaning CD to clean the lens before taking the set to repair.
- The lens of the CD player should never be touched!
- Sudden changes in the surrounding temperature can cause condensation on the lens of your CD player. Playing a CD is then not possible. Do not attempt to clean the lens but leave the set in a warm environment until the moisture evaporates.
- Always close the CD door to avoid dust on the lens.
- To clean the CD, wipe in a straight line from the center towards the edge using a soft, lint-free cloth. Do not use cleaning agents as they may damage the disc.
- Never write on a CD or attach any stickers to it.

Environmental information

All unnecessary packaging material has been omitted. The packaging can be easily separated into three materials: cardboard, polystyrene and plastic.

Your set consists of materials which can be recycled if disassembled by a specialized company. Please observe the local regulations regarding the disposal of packaging, dead batteries and old equipment.

Troubleshooting

If a fault occurs, first check the points listed below before taking the set for repair.

If you are unable to remedy a problem by following these hints, consult your dealer or service centre.

WARNING: *Do not open the set as there is a risk of electric shock. Under no circumstances should you try to repair the set yourself, as this will invalidate the guarantee.*

No sound /power

- Volume not adjusted
- Adjust the VOLUME
- Power cord not securely connected
- Connect the AC power cord properly
- Batteries dead/ incorrectly inserted
- Insert (fresh) batteries correctly
- Disc contains non-audio files
- Insert a suitable disc or press **SEARCH** ◀◀ or ▶▶ once or more skip to an audio track, instead of the data files.

Display does not function properly/No reaction to operation of any of the controls

- Electrostatic discharge
- Switch off and unplug the set. Reconnect after a few seconds

⏏ indication

- No disc inserted
- Insert a suitable disc
- Disc badly scratched or dirty
- Replace/clean CD (See Maintenance)
- CD-R(W) is blank or the disc is not finalized.
- Use a finalized CD-R(W)
- Laser lens steam up
- Wait until lens has cleared

Note:

Make sure the CD is not encoded with Copyright protection technologies, as some do not conform to the Compact Disc standard.

The disc skips tracks

- Disc damaged or dirty
- Replace or clean disc
- Shuffle or program is active
- Switch off shuffle/program

Note:

For a disc with CD Audio tracks and MP3 files, only the CD Audio tracks will be played.

Sound skips during MP3 playback

- MP3 file made at compression level exceeding 320kbps
- Use a lower compression level to record CD tracks into MP3 format
- Disc damaged or dirty
- Replace or clean disc