

CD Soundmachine

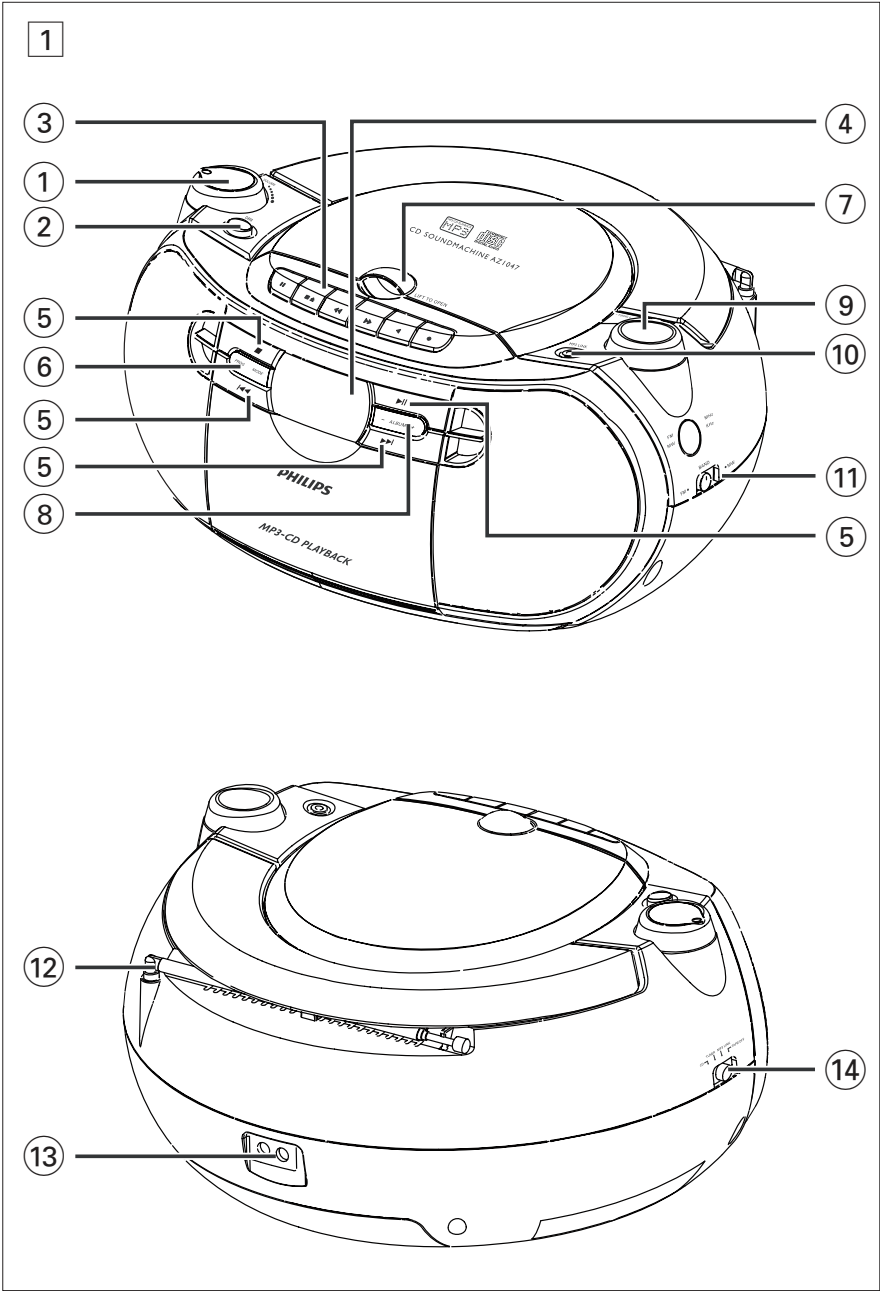
AZ1047

Register your product and get support at
www.philips.com/welcome

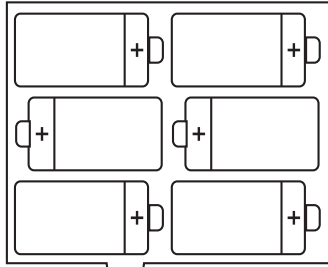
User manual



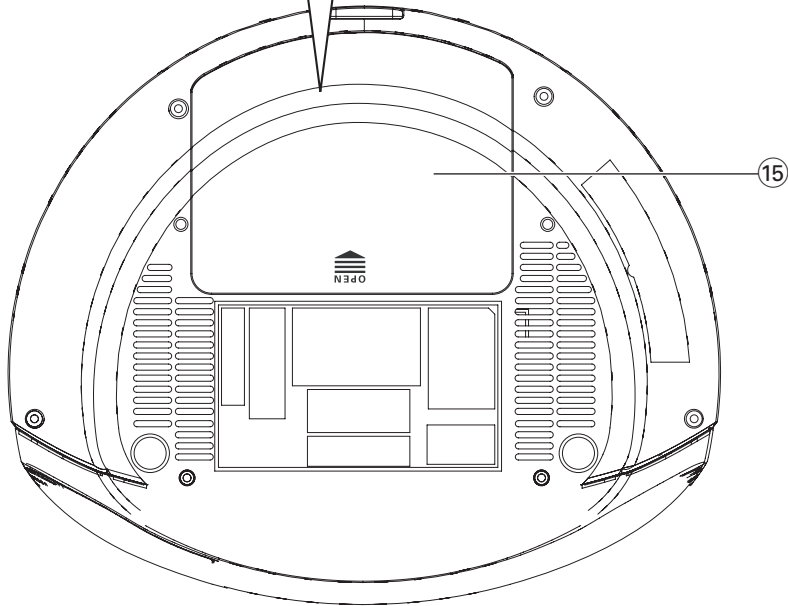
PHILIPS



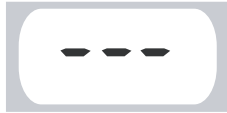
2



6 x R14 · UM-2 · C-CELLS



3



4



5



6



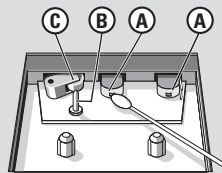
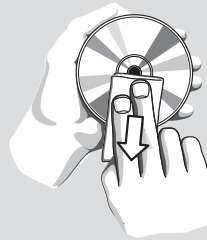
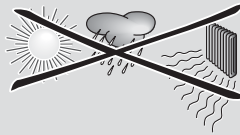
7



8



9



English

Congratulations on your purchase and welcome to Philips!

To fully benefit from the support that Philips offers, register your product at www.philips.com/welcome.

Supplied Accessories

– AC power cord

Top/Front panels (See **1**)

- ① **VOLUME** – adjusts volume level
- ② **DBB** – turns the bass enhancement on/off
- ③ **CASSETTE RECORDER keys:**
 - ||** – pauses playback or recording
 - ▲**
 - stops the tape or recording;
 - opens the cassette holder
 - ◀▶** – fast forwards/rewinds tape
 - ◀** – starts playback
 - – starts recording
- ④ **Display** – shows the CD functions
- ⑤ **■**
 - stops CD playback;
 - erases a CD program
- ▶||**
 - starts or pauses CD playback
- ▶▶ ◀◀**
 - selects the next/previous track
 - fast searches forwards/backwards (press and hold the button) within the current track
- ⑥ **PROG** – programs tracks and reviews the program
- MODE** – selects different play modes:
REPEAT or SHUFFLE (random order)
- ⑦ **LIFT TO OPEN** – opens/closes the CD door

Controls/Power Supply

- ⑧ **ALBUM +/-** – selects an album for an MP3-CD
- ⑨ **TUNING +/-** – tunes to radio stations
- ⑩ **MP3 LINK** – inlet for an MP3 device
- ⑪ **BAND** – selects waveband: FM or MW

Back/Bottom panels (See **1** and **2**)

- ⑫ **Telescopic antenna**
 - improves FM reception
- ⑬ **AC MAINS~** – inlet for power cord
- ⑭ **Source selector: CD, TUNER, MP3 LINK, TAPE/OFF**
 - selects CD, radio, MP3 or tape source of sound
 - powers off switch
- ⑮ **Battery door** – open to insert 6 × 1.5V **R-14/UM-2/C-cells** batteries

CAUTION

Visible and invisible laser radiation. If the cover is open, do not look at the beam.

High voltage! Do not open. You run the risk of getting an electric shock. The machine does not contain any user-serviceable parts.

Modification of the product could result in hazardous radiation of EMC or other unsafe operation.

Power Supply

Whenever convenient, use the power supply cord if you want to conserve battery life. Make sure you remove the plug from the set and wall outlet before inserting batteries.

Batteries (not included)

- 1 Open the battery door and insert 6 batteries, type **R-14**, **UM-2** or **C-cells** with the correct polarity as indicated by the "+" and "-" symbols inside the compartment. (See **2**)

Power Supply

- 2 Replace the battery door, making sure the batteries are firmly and correctly in place. The set is now ready to operate.
 - *Incorrect use of batteries can cause electrolyte leakage and will corrode the compartment or cause the batteries to burst:*
 - *Do not mix battery types: e.g. alkaline with carbon zinc. Only use batteries of the same type for the set.*
 - *When inserting new batteries, do not try to mix old batteries with the new ones.*
 - *Remove the batteries if the set is not to be used for a long time.*

Batteries contain chemical substances, so they should be disposed of properly.

Using AC power

- 1 Check if the power voltage, **as shown on the type plate located on the bottom of the set**, corresponds to your local power supply. If it does not, consult your dealer or service center.
- 2 Connect the power cord to the **AC MAINS~** inlet and the wall socket. The set is now connected and ready for use.
- 3 To switch the set off completely, withdraw the power cord from the wall socket.
- 4 Install the unit near the AC outlet and where the AC power plug can be easily reached.
 - Disconnect the power cord from the wall socket to protect your set during heavy thunderstorms. Children could seriously injure themselves as the free end of the cable may still be live if only the connector is removed from the MAINS socket at the back of the unit.

The type plate is located on the bottom of the set.

Helpful hints:

- *To avoid unnecessary energy consumption, always adjust the **Source selector** to **TAPE/OFF** after using the set. and check that the tape deck keys are released.*

General Operation/Radio

General Operation

Switching on and off and selecting the function

- 1 To select your sound source, adjust the **Source selector** to **CD, TUNER, MP3 LINK** or **TAPE/OFF**.
- 2 To switch off the set, adjust the **Source selector** to **TAPE/OFF** position and check the cassette keys are released.

Adjusting volume and sound

Adjust the sound with the **VOLUME** and **DBB** controls.

Radio reception

- 1 Adjust the **Source selector** to **TUNER**.
- 2 Adjust **BAND** to select your desired waveband, **MW** or **FM**.
- 3 Turn **TUNING** to tune to a station.

Helpful hints:

To improve radio reception

- For **FM**, extend, incline and turn the telescopic antenna for best reception. Reduce its length if the signal is too strong.
- For **MW**, the set uses a built-in antenna. Direct this antenna for best reception by turning the whole set.

CD Player

Playing a CD

- This CD player plays Audio Discs including CD-Recordables (CD-R), CD-Rewritables (CD-RW), and MP3-CD.
- CD-ROM, CD-I, CDV, VCD, DVD or computer CDs are not possible for playback.

IMPORTANT!

CDs encoded with **copyright protection technologies** by some record companies may be unplayable by this product.

- 1 Adjust the **Source selector** to **CD**.
- 2 Open the CD door, and insert a CD with the printed side facing up, then press the CD door gently to close.
→ Display shows - - -, and later the total number of tracks. (See [3](#))
- 3 Press **▶II** to start playback.
- 4 To pause playback, press **▶II**.
→ Display: **▶** flashes. (See [4](#))
- 5 To resume, press **▶II** again.
- 6 To stop CD playback, press **■**.

Helpful hints:

CD play will also stop when:

- you open the CD door;
- you select **TUNER**, **MP3 LINK** or **TAPE/OFF** sound source;
- the CD has reached the end.

Selecting a different track

- 1 Press **◀/▶** once or repeatedly until the desired track number in the current album appears in the display.
- Press **ALBUM +/-** to select the desired album, and then press **◀** or **▶** to select the desired track number in the selected album.
- 2 In the pause/stop position, press **▶II** to start playback.

Finding a passage within a track

- 1 During playback, press and hold **◀◀** or **▶▶**.
→ The CD is played at high speed and with reduced volume.
- 2 When you recognize the passage you want, release **◀◀** or **▶▶** to resume normal playback.

Helpful hints:

- When your searching reaches the end of the last track, the CD goes to stop mode.

Programming track numbers

You may store up to 20 tracks in the desired sequence. If you like, store any track more than once.

- 1 In the stop position, press **PROG** to activate programming.
→ Display: **PROG** and **P/D 1** flash. (See [5](#))
- 2 Press **◀◀** or **▶▶** to select your desired track number in the current album.
 - Press **ALBUM +/-** to select the desired album, and then press **◀** or **▶** to select the desired track number in the selected album.
- 3 Press **PROG** to store the desired track number.
→ Display: **PROG** and **P/D 2** flash for you to program the next track.
- 4 Repeat steps **2** to **3** to select and store all desired tracks in this way.
→ If you attempt to store more than 20 tracks, no track can be selected and the display shows **PROG** and **---**.
- 5 To play your program, press **▶II**.

Helpful hints :

- When playback of your program comes to the stop position, your set will return to normal playback. To re-enter program mode, press **PROG** in the stop position.

CD Player

Reviewing the program

In the stop position, press **PROG** repeatedly to see your stored tracks.

Erasing a program

You can erase the contents of the memory by:

- in the stop position, press **PROG** to enter program mode, and then press ■;
- selecting **TUNER** or **TAPE/OFF** sound source;
- opening the CD door.

Different play modes: REPEAT and SHUFFLE (See **6**, **7**)

REPEAT

You can play the current track or the whole disc repeatedly, and combine REPEAT modes with PROGRAM.

- ↻ – plays the current track continuously
- ↻ **ALB** – plays the current album continuously
- ↻ **ALL** – repeats the entire CD/program

- 1** To select play mode, press **MODE** once or more.
→ The display shows ↻, ↻ **ALB** (See **8**) or ↻ **ALL**.
- 2** Press **▶||** to start playback if in the stop/pause position.
- 3** To return to normal playback, press **MODE** repeatedly until the modes are no longer displayed.
– You can also press ■ to cancel your play mode.

SHUFFLE

You can play all the tracks in random order.

- 1** In the stop position, press **MODE** once or more.
→ Display shows **⌘**.
- 2** To switch off shuffle play, press ■.

Cassette Recorder

Cassette playback

- 1 Adjust the **Source selector** to **TAPE**.
- 2 Press **■▲** to open the cassette holder and insert a cassette, and close the deck.
- 3 Press **◀** to start playback.
- 4 To pause playback, press **||**. To resume, press the key again.
- 5 To stop the tape, press **■▲**.

Fast forwarding/rewinding

- 1 Press **◀◀ / ▶▶** until you reach your desired passage.
- 2 Press **■▲** to stop fast forwarding/rewinding.

Helpful hints:

- *During playback, the keys are automatically released at the end of a tape and the set is switched off (unless **||** mode has been activated.)*
- *During fast forwarding/rewinding, the keys will not be released at the end of a tape. To switch off the set, make sure the cassette keys are also released.*

General information on recording

- Recording is permissible insofar as copyright or other rights of third parties are not infringed.
- For recording, use only NORMAL type cassettes (IEC type I) on which the tabs have not yet been broken. This deck is not suited for recording on CHROME (IEC II) or METAL (IEC IV) type cassettes.
- The best recording level is set automatically. Altering the **VOLUME** or **DBB** will not affect the recording.
- To protect a tape from accidental erasure, break out the tabs. If you wish to record again, cover the tabs with a piece of adhesive tape.

CD synchro start recording

- 1 Select **CD** source.
- 2 Insert a CD, or if desired, program track numbers.
- 3 Press **■▲** to open the cassette holder. Insert a blank tape and close the deck.
- 4 Press **●** to start recording.
 - Playing of the disc/programme starts automatically from the beginning. You don't need to manually start the disc player.
- 5 For brief interruptions, press **||**. To resume recording, press **||** again.
- 6 To stop recording, press **■▲**.

Recording from the Radio

- 1 Select **TUNER** source.
- 2 Tune to the desired radio station (see **Radio reception**).
- 3 Follow steps 3-6 under **CD synchro start recording**.

Maintenance & Safety (See 9)

CD player and CD handling

- If the CD player cannot read CDs correctly, use a cleaning CD to clean the lens before taking the set to repair.
- The lens of the CD player should never be touched!
- Sudden changes in the surrounding temperature can cause condensation on the lens of your CD player. Playing a CD is then not possible. Do not attempt to clean the lens but leave the set in a warm environment until the moisture evaporates.
- Always close the CD-tape door to avoid dust on the lens.
- To clean the CD, wipe in a straight line from the center towards the edge using a soft, lint-free cloth. Do not use cleaning agents as they may damage the disc.
- Never write on a CD or attach any stickers to it.

Tape deck maintenance

To ensure quality recording and playback of the tape deck, clean parts (A), (B) and (C) as shown, once a month. Use a cotton bud slightly moistened with alcohol or a special head cleaning fluid to clean the deck.

- 1 Open the cassette holder by pressing **■▲**.
- 2 Press **◀** and clean the roller (C).
- 3 Press **||** and clean the heads (A), and the capstan (B).
- 4 After cleaning, press **■▲**.
→ Cleaning of the heads can also be done by playing a cleaning cassette through once.

Safety information

- Place the set on a flat, hard and stable surface so that the system does not tilt.
- Where the MAINS plug or an appliance coupler is used as the disconnect device, the disconnect device shall remain readily operable.
- Do not expose the set, batteries, CDs to humidity, rain, sand or excessive heat caused by heating equipment or direct sunlight.
- The apparatus shall not be exposed to dripping or splashing.
- Adequate ventilation with a minimum gap of 15cm (6 inches) between the ventilation holes and surrounding surfaces is necessary to prevent heat build-up.
- Do not cover the ventilation openings with items such as newspapers, table-cloths, curtains, etc.
- No objects filled with liquids, such as vases, shall be placed on the apparatus.
- No naked flame sources, such as lighted candles, should be placed on the apparatus.
- The mechanical parts of the set contain self-lubricating bearings and must not be oiled or lubricated.
- Batteries (battery pack or batteries installed) shall not be exposed to excessive heat such as sunshine, fire or the like.
- To clean the set, use a dry cloth. Do not use any cleaning agents containing alcohol, ammonia, benzene or abrasives as these may harm the housing.

Troubleshooting

If a fault occurs, first check the points listed below before taking the set for repair.

If you are unable to remedy a problem by following these hints, consult your dealer or service centre.

WARNING: *Do not open the set as there is a risk of electric shock. Under no circumstances should you try to repair the set yourself, as this will invalidate the guarantee.*

Problem

- Possible cause
- Remedy

No sound /power

- Volume not adjusted.
- Adjust **VOLUME**.
- Power cord not securely connected.
- Connect the AC power cord properly.
- Batteries dead/ incorrectly inserted.
- Insert (fresh) batteries correctly.
- CD contains non-audio files.
- Press ◀◀ , ▶▶ once or more to skip to a CD audio track, instead of the data file.

Display does not function properly / No reaction to operation of any of the controls.

- Electrostatic discharge.
- Switch off and unplug the set. Reconnect after a few seconds.

no, --- or Er indication

- No CD, inserted.
- Insert a CD.
- CD badly scratched or dirty.
- Replace/Clean CD, see **Maintenance**.
- Laser lens steamed up.
- Wait until lens has cleared.
- CD-R/CD-RW is blank or not finalized.
- Use a finalized CD-R/CD-RW or a suitable CD Audio disc only.

Note:

Make sure the CD is not encoded with Copyright protection technologies, as some do not conform to the Compact Disc standard.

The CD skips tracks

- CD damaged or dirty.
- Replace or clean CD.
- Program/Shuffle is active.
- Quit program/shuffle mode.

Note: A CD badly scratched or dirty may result in improper operation.

Poor cassette sound quality

- Dust and dirt on the heads, etc.
- Clean deck parts, see **Maintenance**.
- Use of incompatible cassette types (METAL or CHROME).
- Only use NORMAL (IEC I) for recording.

Recording does not work

- Cassette tab(s) may be broken.
- Apply adhesive tape over the missing tab space.

Environmental information

All unnecessary packaging material has been omitted. The packaging can be easily separated into three materials: cardboard, polystyrene and plastic.

Your set consists of materials which can be recycled if disassembled by a specialized company. Please observe the local regulations regarding the disposal of packaging, dead batteries and old equipment.

The making of unauthorized copies of copy-protected material, including computer programmes, files, broadcasts and sound recordings, may be an infringement of copyrights and constitute a criminal offence. This equipment should not be used for such purposes.

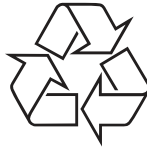


Specifications

Power Consumption	12W
Dimensions (w x h x d)	291 x 146 x 242.5 (mm)
Weight	1.83 kg

English

Meet Philips at the Internet
<http://www.philips.com>



AZ1047



Printed in China

AZ1047_UM_61_EN_V2.0