

CD Soundmachine

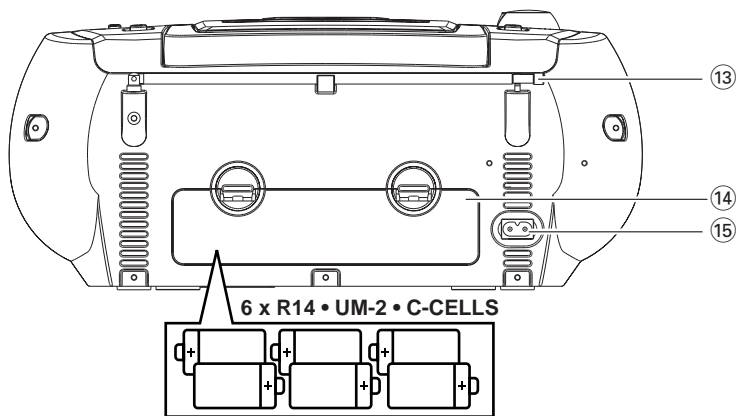
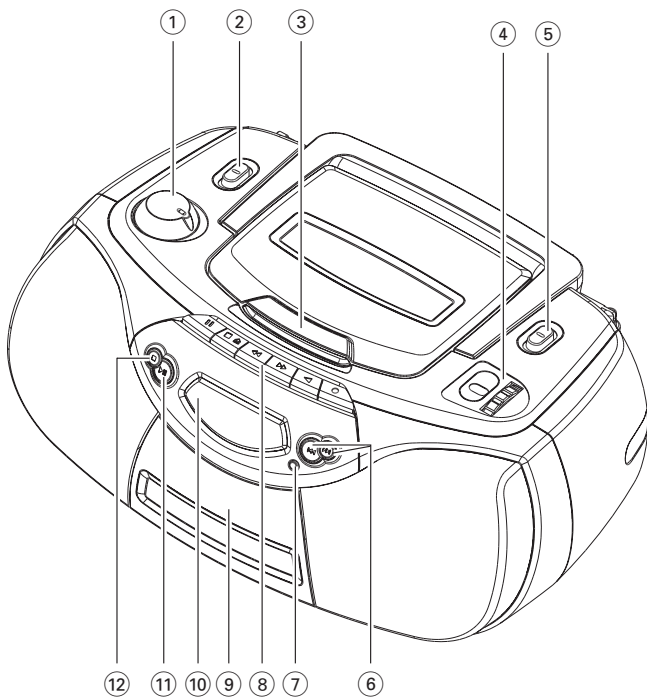
AZ 1004



*Let's make things better.*



**PHILIPS**



# Important notes for users in the U.K.

## Mains plug

This apparatus is fitted with an approved 13 Amp plug. To change a fuse in this type of plug proceed as follows:

1. Remove fuse cover and fuse.
2. Fix new fuse which should be a BS1362 5 Amp, A.S.T.A. or BSI approved type.
3. Refit the fuse cover.

If the fitted plug is not suitable for your socket outlets, it should be cut off and an appropriate plug fitted in its place. If the mains plug contains a fuse, this should have a value of 5 Amp. If a plug without a fuse is used, the fuse at the distribution board should not be greater than 5 Amp.

Note: The severed plug must be disposed of to avoid a possible shock hazard should it be inserted into a 13 Amp socket elsewhere.

## How to connect a plug

The wires in the mains lead are coloured with the following code: blue = neutral (N), brown = live (L). As these colours may not correspond with the colour markings identifying the terminals in your plug, proceed as follows:

- Connect the blue wire to the terminal marked N or coloured black.
- Connect the brown wire to the terminal marked L or coloured red.
- Do not connect either wire to the earth terminal in the plug, marked E (or e) or coloured green (or green and yellow).

Before replacing the plug cover, make certain that the cord grip is clamped over the sheath of the lead - not simply over the two wires.

## Copyright in the U.K.

Recording and playback of material may require consent. See Copyright Act 1956 and The Performer's Protection Acts 1958 to 1972.

2



3



4



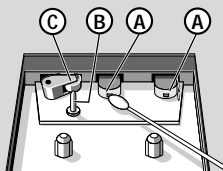
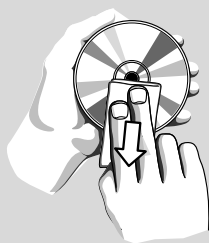
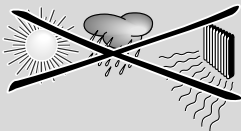
5



6



7



## English

---

### Top and front panels (See [1])

- ① **VOLUME** – to adjust volume level
- ② **Source selector** : **CD, TUNER, TAPE/POWER OFF**
  - selects CD, tuner or tape source of sound
  - power off switch
- ③ **CD door**
- ④ **TUNING** – tunes to radio stations
- ⑤ **BAND** – selects waveband
- ⑥ **PREVIOUS, NEXT** ◀▶, ▶▶
  - skips or searches a passage/track backwards or forward
- ⑦ **PROG** – programs and reviews programmed track numbers
- ⑧ **Cassette recorder keys:**
  - ⏸ – pauses playback or recording
  - ▲ – stops the tape;
    - opens the cassette holder
  - ◀◀ or ▶▶ – fast rewinds/ winds tape
  - ▶ – starts playback
  - – starts recording
- ⑨ **Cassette door**
- ⑩ **CD Display** – shows the CD functions
- ⑪ **PLAY/PAUSE** ▶⏸ - starts or pauses CD playback.
- ⑫ **STOP** ■ – stop playback;
  - erases a CD program.

### Back panel

- ⑬ **Telescopic antenna** - improves FM reception.

**Note: MW band antenna is built into set (see Tuner reception)**

## Controls/Power Supply

---

- ⑭ **Battery door** - open to insert 6 x 1.5V **R-14/ UM2/ C-cells**.
- ⑮ **AC POWER/MAINS** - inlet for power cord.

### CAUTION

**Use of controls or adjustments or performance of procedures other than herein may result in hazardous radiation exposure or other unsafe operation.**

**This set complies with the radio interference requirements of the European Community.**

### Power Supply

Whenever convenient, use the mains supply cord if you want to conserve battery life. Make sure you remove the plug from the set and wall outlet before inserting batteries.

#### Batteries (not included)

- 1 Open the battery compartment and insert six batteries, type **R-14, UM-2** or **C-cells**, (preferably alkaline) with the correct polarity as indicated by the "+" and "-" symbols inside the compartment. (See [1])
- 2 Replace the compartment door, making sure the batteries are firmly and correctly in place. The set is now ready to operate.

**Batteries contain chemical substances, so they should be disposed of properly.**

Incorrect use of batteries can cause electrolyte leakage and will corrode the compartment or cause the batteries to burst:

## Power Supply

---

- Do not mix battery types: e.g. alkaline with carbon zinc. Only use batteries of the same type for the set.
- When inserting new batteries, do not try to mix old batteries with the new ones.
- Remove the batteries if the set is not to be used for a long time.

#### Using AC Mains

- 1 Check if the power/mains voltage, **as shown on the type plate located on the bottom of the set**, corresponds to your local power supply. If it does not, consult your dealer or service center.
- 2 Connect the power cord to the AC **POWER/MAINS** inlet and the wall socket. The mains lead is now connected and ready for use.
- 3 To switch the set off completely, withdraw the power cord from the wall socket.
- Disconnect the mains lead from the wall socket to protect your set during heavy thunderstorms.

**The type plate is located on the bottom of the set.**

**For users in the U.K., please follow the boxed instructions 'Important notes...' on this sheet.**

#### Switching POWER on/off: Save energy

To avoid unnecessary energy consumption, always adjust the **source selector** to **TAPE/POWER OFF** after using the set. Also check that the tape deck keys are released.

## General operation

---

### General operation

- 1 To select your sound source adjust the **source selector** to : **CD, TUNER** or **TAPE/POWER OFF**.
- 2 Adjust the sound with the **VOLUME** control.
- 3 To switch off the set, adjust the source selector to **TAPE/POWER OFF** position and check the cassette keys are released.

### Tuner reception

- 1 Adjust the **source selector** to **TUNER**.
- 2 Adjust **BAND** to select your desired waveband.
- 3 Turn **TUNING** to tune to a station.
  - For **FM** band signals, extend and turn the telescopic antenna for best reception. Reduce its length if the signal is too strong.
  - For **MW (AM or LW)** band signals, the set uses a built-in antenna. Direct this antenna for best reception by turning the whole set.
- 4 To switch off the radio, adjust the source selector to **TAPE/POWER OFF** position and check the cassette keys are released.

### CD Player

#### Display indication for CD functions:

- **CD**: (See [2]) CD door open
- **---**: (See [3]) reading disc contents / no disc/ error in CD operation or CD/ CD-R is blank or not finalized (see Troubleshooting)
- **During CD playback:** ▶ and current track number
- **▶▶**: (See [4]) playback on pause

# CD Player

- **prog**: when CD program is active
- $F_{\nu}$ : program memory full

## Playing a CD

This CD player plays Audio Discs including CD-Recordables.

- CD-RWs, MP3 CD-ROMs, CD-I, CDV, VCD, DVD or computer CDs are not possible for playback on this set.
- 1 Adjust the **source selector** to **CD**.
  - 2 Insert a CD/ CD-R with the printed side facing up and press the CD door gently close.
  - 3 Press **PLAY/PAUSE**  $\blacktriangleright\blacksquare$  on the set to start playback.
  - 4 To pause playback press **PLAY/PAUSE**  $\blacktriangleright\blacksquare$ . Press **PLAY/PAUSE**  $\blacktriangleright\blacksquare$  again to resume play.
  - 5 To stop CD play, press **STOP**  $\blacksquare$ .
  - 6 To switch off the set, adjust the source selector to **TAPE/POWER OFF** position and check the cassette keys are released.

**Note** : CD play will also stop when:

- you open the CD compartment;
- you select **TUNER** or **TAPE/POWER OFF** sound source;
- the CD has reached the end of playback.

## Selecting a different track

During playback you can use  $\blacktriangleleft / \blacktriangleright$  to select a particular track.

- If you have selected a track number in the stop or pause position, press **PLAY/PAUSE**  $\blacktriangleright\blacksquare$  to start playback.

- Press  $\blacktriangleright$  once briefly for the next track, or press repeatedly until the desired track number appears in the display.

- Press  $\blacktriangleleft$  once briefly to return to the beginning of a current track.
- Press  $\blacktriangleleft$  repeatedly for a previous track.

## Finding a passage within a track

- 1 During playback, press and hold down  $\blacktriangleleft / \blacktriangleright$ .
  - 2 When you recognize the passage you want release  $\blacktriangleleft / \blacktriangleright$ .
- The CD is played at high speed and low volume.
  - Normal playback resumes.

**Note** : When searching within a final track and you reach the end of the last track, the CD goes to stop mode.

## Programming track numbers

You may store up to 32 tracks in the desired sequence. If you like, store any track more than once.

- 1 In the stop position, press **PROG** to activate programming.  
→ Display shows  $\cdot$  indicating the start of the program. **prog** flashes. (See  $\text{[5]}$ )
- 2 Press  $\blacktriangleleft$  or  $\blacktriangleright$  to select your desired track number.
- 3 Press **PROG** to store the desired track number.  
→ Display shows your desired track number briefly followed by a number,  $\text{z}^2$  (up to  $\text{z}^2$  in sequence) indicating the next program location available. (See  $\text{[6]}$ )

# CD Player

- 4 Repeat steps **2** to **3** to select and store all desired tracks in this way.  
→  $F_{\nu}$  indicates the program memory is full (when you have stored tracks on all  $\text{z}^2$  program locations).

- 5 To play your program, press **PLAY/PAUSE**  $\blacktriangleright\blacksquare$ .

### To review a program

- In the stop position, press **PROG** repeatedly to see your stored track numbers.

### Erasing a program

You can erase the contents of the memory by:

- selecting **TUNER** or **TAPE/POWER OFF** sound source;
- opening the CD door;

→ Display: **prog** disappears.

## Cassette playback

- 1 Adjust the **source selector** to **TAPE/POWER OFF**.
- 2 Press  $\blacksquare\blacktriangle$  to open the cassette holder and insert a cassette and close the deck.
- 3 Press  $\blacktriangleright$  to start playback.
- 4 To pause playback press  $\blacksquare$ . To resume, press the key again.
- 5 By pressing  $\blacktriangleleft$  or  $\blacktriangleright$ , fast winding of the tape is possible in both directions. To stop fast winding, press  $\blacksquare\blacktriangle$ .
- 6 To stop the tape, press  $\blacksquare\blacktriangle$ .

The keys are automatically released at the end of a tape and the set switched off (unless PAUSE mode  $\blacksquare$  has been activated.)

# Cassette Recorder

## General information on recording

- Recording is permissible insofar as copyright or other rights of third parties are not infringed.
- For recording, use only NORMAL type cassettes (IEC type I) on which the tabs have not yet been broken. This deck is not suited for recording on CHROME (IEC II) or METAL (IEC IV) type cassettes.
- The best recording level is set automatically. Altering the **VOLUME** will not affect the recording.
- To protect a tape from accidental erasure, break out the tabs. If you wish to record again, cover the tabs with a piece of adhesive tape.

## Synchro Start CD recording

- 1 Select **CD** source.
- 2 Insert a CD and if desired, program track numbers.
- 3 Press  $\blacksquare\blacktriangle$  to open the cassette holder. Insert a blank tape and close the deck.
- 4 Press  $\bullet$  to start recording.  
→ Playing of the CD program starts automatically from the beginning of the program. It is not necessary to start the CD player separately.
- 5 For brief interruptions press  $\blacksquare$ . To resume recording, press  $\blacksquare$  again.
- 6 To stop recording, press  $\blacksquare\blacktriangle$ .

# Cassette Recorder

## Recording from the Radio

- 1 Adjust the **source selector** to **TUNER** to select your desired waveband.
- 2 Tune to the desired radio station (see **Tuner reception**).
- 3 Press **■▲** to open the cassette holder. Insert a blank tape and close the deck.
- 4 Press **●** to start recording.
- 5 For brief interruptions press **||** To resume recording, press **||** again.
- 6 To stop recording, press **■▲**.

## Precautions & General Maintenance (See [7])

- Place the set on a hard and flat surface so that the system does not tilt.
- Do not expose the set, batteries, CDs to humidity, rain, sand or excessive heat caused by heating equipment or direct sunlight.
- Do not cover the set. Adequate ventilation with a minimum gap of 6 inches between the ventilation holes and surrounding surfaces is necessary to prevent heat build-up.
- The mechanical parts of the set contain self-lubricating bearings and must not be oiled or lubricated.
- To clean the set, use a dry cloth. Do not use any cleaning agents containing alcohol, ammonia, benzene or abrasives as these may harm the housing.

## Tape deck maintenance (See [7])

To ensure quality recording and playback of the tape deck, clean parts (A), (B) and (C) as shown, once a month. Use a cotton bud slightly moistened with alcohol or a special head cleaning fluid to clean the deck.

- 1 Open the cassette holder by pressing **■▲**.

# Maintenance

- 2 Press **▶** and clean the roller (C).
- 3 Press **||** and clean the heads (A), and the capstan (B).
- 4 After cleaning, press **■**  
→ Cleaning of the heads can also be done by playing a cleaning cassette through once.

## CD player and CD handling (See [7])

- If the CD player cannot read CDs correctly, use a cleaning CD to clean the lens before taking the set to repair.
- The lens of the CD player should never be touched!
- Sudden changes in the surrounding temperature can cause condensation on the lens of your CD player. Playing a CD is then not possible. Do not attempt to clean the lens but leave the set in a warm environment until the moisture evaporates.
- Always close the CD-tape door to avoid dust on the lens.
- To clean the CD, wipe in a straight line from the center towards the edge using a soft, lint-free cloth. Do not use cleaning agents as they may damage the disc.
- Never write on a CD or attach any stickers to it.

# Troubleshooting

If a fault occurs, first check the points listed below before taking the set for repair. If you are unable to remedy a problem by following these hints, consult your dealer or service centre.

**WARNING:** Do not open the set as there is a risk of electric shock. Under no circumstances should you try to repair the set yourself, as this will invalidate the guarantee.

## Problem

- Possible cause
- Remedy

## No sound /power

- Volume not adjusted
- Adjust the VOLUME
- Power cord not securely connected
- Connect the AC power cord properly
- Batteries dead/ incorrectly inserted
- Insert (fresh) batteries correctly

## Display does not function properly/ No reaction to operation of any of the controls

- Electrostatic discharge
- Switch off and unplug the set. Reconnect after a few seconds

## The CD skips tracks

- CD damaged or dirty
- Replace or clean CD
- Program is active
- Quit program mode

## - - indication

- No CD inserted
- Insert a CD
- CD badly scratched or dirty
- Replace/ clean CD, see Maintenance
- Laser lens steamed up
- Wait until lens has cleared
- CD-R is blank or not finalized/ CD-RW inserted
- Use a finalized CD-R or suitable CD Audio disc only

## Poor cassette sound quality

- Dust and dirt on the heads, etc.
- Clean deck parts, see Maintenance
- Use of incompatible cassette types (METAL or CHROME)
- Only use NORMAL (IEC I) for recording

## Recording does not work

- Cassette tab(s) may be broken
- Apply adhesive tape over the missing tab space

## Environmental information

All unnecessary packaging material has been omitted. The packaging can be easily separated into three materials: cardboard, polystyrene and plastic.

**Your set consists of materials which can be recycled if disassembled by a specialized company. Please observe the local regulations regarding the disposal of packaging, dead batteries and old equipment.**

English

Français

Español

Deutsch

Nederlands

Meet Philips at the Internet  
<http://www.audio.philips.com>

AZ 1004

**CLASS 1  
LASER PRODUCT**

