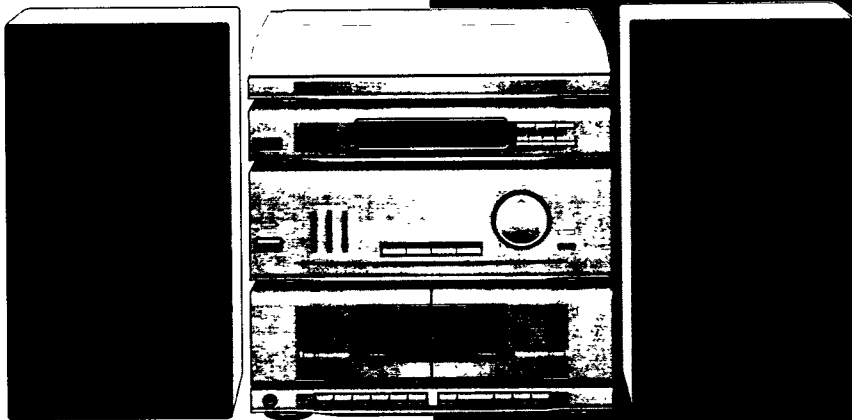


PHILIPS

AS 230/AS 235 Midi System



(MEX) Mexico

NOM

Es necesario que lea cuidadosamente su instructivo de manejo.



NOM

Garantía página 75

(N) Norge

Typeskilt finnes på apparatens bakside.
Observer: Nettbryteren er sekundert innkopleet. Den innebygde nettdelen er derfor ikke frakopleet nettet så lenge apparatet er tilsluttet nettkontakten.

(AUS) Australia

Guarantee page 74

(NZ) New Zealand

Guarantee page 74

Declaración de conformidad con normas

El que suscribe, en nombre y representación de:
Audio Electronics Sdn. Berhad – Penang

declara, bajo su propia responsabilidad, que el

equipo : **Combinación**
 fabricado por : **Audio Electronics Sdn. Berhad**
 en : **Far East**
 marca : **Philips**
 modelos : **AS230/AS235**

objeto de esta declaración, cumple con la normativa siguiente: Reglamento sobre Perturbaciones Radioeléctricas, Real Decreto 138/1989, Anexo V.

Hecho en : Penang

Firma:

Khoo Bee Im

Nombre : **Khoo Bee Im**
 Cargo : **Safety Coordinator**

(GB) English

page 3

English

Illustrations pages 76-78

(F) Français

page 11

Français

Illustrations pages 76-78

(D) Deutsch

seite 19

Deutsch

Abbildungen Seiten 76-78

(NL) Nederlands

pagina 27

Nederlands

Afbeeldingen pagina's 76-78

(E) Español

página 35

Español

Ilustraciones páginas 76-78

(I) Italiano

pagina 43

Italiano

Illustrazioni pagine 76-78

(DK) Dansk

side 51

Dansk

Figurer side 76-78

(S) Svenska

sida 58

Svenska

Figurer sidorna 76-78

(SF) Suomi

sivut 65

Suomi

Kuvat sivut 76-78

INSTALLATION

INSTALLATION

- Unpack all parts and remove protective material.
- Tighten both record player transit screws 2 properly (Fig 3). Screw in clockwise direction (record player not all versions)
- Insert the batteries into the remote control transmitter, as shown in the battery compartment (Fig. 4).
- Do not connect the unit to the mains before checking the mains voltage and before all other connections have been made.
- Do not cover any vents and make sure that there is a space of several centimetres around the unit for ventilation.

CONNECTIONS (Fig. 2)

- A) Terminals for loudspeakers, minimum impedance 8 ohms. Attach loudspeaker cables to the unit (see Fig. 2 and 3).
Left speaker: connect the brown and white dotted wire to terminal + L, the brown wire to terminal - L.
Right speaker: repeat the same procedure.
- B) CD-TV IN, for connecting a compact disc player, or for the sound channel of a TV set, etc.
- C) PHONO IN terminals, for connecting record player (not all versions).
- D) RC OUT, can be connected (with the optional cable SBC 1103 or 4822 321 21204) to the REMOTE IN of the CD player, if it has a corresponding socket for remote control.
- E) GRID selector (not all versions). See TUNER.

Important notes for users in the U.K.:

Mains Plug

This apparatus is fitted with an approved moulded 13 Amp plug.

To change a fuse in this type of plug proceed as follows:

- Remove fuse cover and fuse.
- Fix new fuse which should be a BS1362 5 A, A.S.T.A. or BSI approved type.
- Refit the fuse cover.

If the fitted plug is not suitable for your socket outlets, it should be cut off and an appropriate plug fitted in its place.

If the mains plug contains a fuse, this should have a value of 5 A. If a plug without a fuse is used, the fuse at the distribution board should not be greater than 5 A.

Note:

The severed plug must be destroyed to avoid a possible shock hazard should it be inserted into a 13 A socket elsewhere.

How to connect a plug

The wires in the mains lead are coloured with the following code: blue = neutral (N), brown = live. (L)

As these colours may not correspond with the colour markings identifying the terminals in your plug, proceed as follows:

- Connect the blue wire to the terminal marked N or coloured black.
- Connect the brown wire to the terminal marked L or coloured red.
- Do not connect either wire to the earth terminal in the plug, marked E (or \perp) or coloured green (or green and yellow).

Before replacing the plug cover, make certain that the cord grip is clamped over the sheath of the lead – not simply over the two wires.

Copyright:

Recording and playback of material may require consent. See Copyright Act 1956 and The Performer's Protection Acts 1958 to 1972.

English

Français

Deutsch

Nederlands

Español

Italiano

Dansk

Svenska

Suomi

INSTALLATION

- F) Terminal for FM 75 ohm antenna. The antenna wire supplied with the unit can be connected to this terminal. Adjust the position of the FM antenna for optimum reception. For good FM stereo reception use an FM outdoor antenna or the connection to your house distribution system.
- G) Power cord. **Do not** connect the unit to the power without having checked whether the voltage given on the type plate corresponds with the local AC outlet voltage. If not, please consult your dealer. The type plate is located on the rear of the unit.
- H) PHONOSUPPLY socket (not all versions), for connecting an external record player without its own power supply section.
- I) Voltage selector (not all versions). If your version has this selector, check that the setting corresponds with your local mains voltage.

Positioning the Loudspeakers

The best position can be found by experimenting. Bass reproduction is amplified by placing the speakers on the floor. Placing loudspeakers behind curtains, etc. has an unfavourable effect on treble reproduction. Try to keep the arrangement as evenly spaced as possible.

CONTROLS

ON THE UNIT (Fig. 1)

- 1 POWER ON/OFF**
To switch the unit on and off. To disconnect the set from the mains, withdraw the mains plug from the wall socket.
- 2 GRAPHIC EQUALIZER (3 BAND)**
To adjust tone.
- 3 STANDBY indicator**
Flashes when operating the remote control
- 4 REMOTE SENSOR**
To receive signals from the remote control.
- 5 DISPLAY**
To indicate the functioning of the unit.
- 6 BAND**
To select between MW, LW and FM.
- 7 PRESET DOWN Button**
To decrease the TUNER preset number or to recall up the preset stations stored in the memory.
- 8 PRESET UP Button**
To increase the TUNER preset number or to recall up the preset stations stored in the memory.
- 9 TUNING UP**
To tune to higher frequencies.
- 10 TUNING DOWN**
To tune to lower frequencies.
- 11 MONO**
To switch the TUNER (FM only) to mono mode.
- 12 PROGR button**
To store preset stations.
- 13 VOLUME**
To adjust the volume level.
- 14 HIGH SPEED DUBBING BUTTON** with indicator
To switch the High-Speed Dubbing on and off.
- 15 DYNAMIC BASS BOOST BUTTON** with indicator
To switch the Bass Boost on and off for extra bass.
- 16 SOURCE SELECTION Buttons**
To select the sound source:
TUNER Button
To switch to Radio mode.
TAPE Button
To switch to Tape mode.

CONTROLS

PHONO Button

To switch to Phono mode

CD-TV Button

To switch to CD/TV mode (for external sources, e.g. CD or TV sound).

17 CASSETTE COMPARTMENT DECK II

18 Controls DECK II (Playback)

- **PLAY ► Button:** to start playback.
- **REW Button:** to fast-rewind the cassette.
- **WIND Button** to fast-forward the cassette.
- **STOP•EJECT Button:** to stop and eject the cassette.
- **PAUSE Button:** to interrupt playback.

19 Controls DECK I

- **RECORD Button:** to start recording.
- **PLAY ► Button:** to start cassette playback.
- **REW Button:** to fast-rewind the cassette.
- **WIND Button** to fast-forward the cassette.
- **STOP•EJECT Button:** to stop and eject the cassette.
- **PAUSE Button:** to temporarily interrupt recording or playback.

20 PHONES

Connection for headphones (impedance 8-32 ohms).

21 CASSETTE COMPARTMENT DECK I

ON THE REMOTE CONTROL (Fig. 2)

Using the Remote Control

Before using the remote control, always selected the desired selection source e.g.. CD, TAPE, TUNER or PHONO, to set the remote control in the relevant mode. The unit will be in this mode, until another function selection button is selected..

- Connect the RC OUT socket to the REMOTE IN or RC5 IN socket of your Compact Disc player. An optically cable SBC 1103 or 4822 321 21204 is available for this purpose..

1 STANDBY button

2 VOLUME UP/DOWN buttons

To adjust the volume level.

3 SKIP NEXT/PREV button

To select preset stations and for operating a CD player.

4 DISC UP/DOWN button

To select the discs in a CD changer.

5 STOP button

For a CD player : to stop playback.

6 PLAY/PAUSE button

For a CD player : to start and interrupt playback.

7 CD button

To switch to CD mode.

8 CASS button

To switch to Tape mode.

9 TUNER button

To switch to Radio mode.

10 PHONO button

To switch to Phono (record player) mode.

11 SEARCH UP/DOWN button

To tune to the frequencies in Radio mode and to search for tracks in CD mode.

12 BAND button

To select between MW. LW and FM.

13 SHUFFLE button

For a CD player : to play all the tracks of a CD in a random order.

14 SCAN button

For scanning of preset stations (not all versions) and for scanning CD tracks.

15 REPEAT

For a CD player : To repeat a track of a CD.

16 PROG

To store preset stations and CD tracks.

ON THE RECORD PLAYER (Fig 3)

- 1 Adaptor disc for 45 rpm records.
- 2 Transit protection screws.
- 3 Lever to raise or lower the record player arm.
- 4 33-45 selector for selecting the appropriate rpm.
- 5 Fixing clamp for the record player arm.

AMPLIFIER

- Press POWER 1 to switch the unit on and the unit will go into standby mode. The standby indicator 4 lights up.
- Selected the required sound source (CD•TV, TUNER, TAPE or PHONO).
 - The display will show the sound source you have selected.
- Adjust the volume with the VOLUME control on the unit (or ▲ VOLUME ▼ on the remote control).
- Set the tone with the EQUALIZER.
- For extra amplification of the bass, use the BASS BOOST control.

Notes:

- If you connect headphones, the speakers are switched off.
- Pull the power plug out of the wall outlet to switch off the power voltage completely.

TUNER

Tuner

Note:

Tuner Grid

In some versions of this unit, the tuning step can be changed if required. In North and South America, the frequency step between adjacent channels in the "MW" is 10 KHz. In all other parts of the world, it is 9 KHz.

Your unit has been preset in the factory for correct operation in your area.

- To change to 9 KHz.
 - Switch the unit off with POWER.
 - Press the TUNING DOWN button and hold it down, then switch the unit on with POWER. 9 kHz will appear on the display.
 - The unit is now set to 9 kHz.
- To change to 10 KHz.
 - Switch the unit off with POWER.
 - Press the TUNING UP button and hold it down, then switch the unit on with POWER. 10 kHz will appear on the display.
 - The unit is now set to 10 kHz.

TUNING

- Press TUNER on the unit.
- Select the tuning range with the BAND button.
 - MW, LW or FM will appear on the TUNER display.
- Press TUNING UP or DOWN for 0.5 seconds or more, then release the button.
 - The tuner will automatically search for the first station of sufficient signal strength.
- Repeat this procedure if you wish to select another station or it is not the station of your choice.
 - or:
 - To tune to weak stations, press TUNING UP or DOWN briefly until you read the correct frequency or the reception is at its best.
- Switch to MONO if there is interference noise during FM stereo reception.

STORING PRESET STATIONS

Select the required band (MW, LW or FM) with the BAND button.

To store an MW, LW or FM station:

- Press PROGR once.
 - The display shows PROGR.
- With "TUNING UP" or "TUNING DOWN" on the unit, tune to the desired station.
 - Press the numbered preset button (from 0 up to 19) using the PRESET UP or PRESET DOWN buttons to store the station.
- Press PROGR again.
 - The frequency, preset number and stereo setting are now entered in the memory.
- Repeat this procedure to store other frequencies and presets in the memory.

Notes:

- Storing a station in memory automatically erases any station previously stored under the selected preset number.

TUNING TO PRESET STATIONS

- Select a number between 0 up to 19 using the PRESET UP or PRESET DOWN on the unit or by pressing SKIP NEXT/SKIP PREVIOUS on the remote control.
 - The preset number, frequency and band (MW, LW or FM) will appear on the display.
 - The unit will tune to the displayed station.

RECORD PLAYER

- Press PHONO button.
- Place a record on the turntable. For records with a large centre hole, use the adapter [1].
- Remove the stylus protector by pulling it forward.
- Use the selector [4] to select the appropriate speed.
- Make sure that the arm is not fixed with clip [5].
- Move the lever [3] to the ∇ position.
- Move the tone arm inward. This starts the record player. Position the arm above the desired track.
- Move the level [3] carefully to the ∇ position. The record starts to play.
- The record can be interrupted by moving lever [3] to the ∇ position. To continue, move lever [3] to the ∇ position.
- The record player stops automatically at the end of the record and the arm returns to its support.
- Stopping can be done at any given moment. Set the lever [3] to the ∇ position and then move the player arm outwards. When you reach the support, the turntable will stop.
- Set the lever [3] to the ∇ position, secure the arm and replace the stylus protection cover.

Notes:

If the auto-return mechanism of the record player fails to work, the first time after transit, move the tone arm toward the centre by hand. The mechanism will activate, and the tone arm will return. Do not use force; be positive, but gentle. Once the auto-return mechanism has been reset in this manner, it will function automatically thereafter.

CASSETTE DECKS

CASSETTE DECKS

GENERAL INFORMATION

Copyright: Recording is permissible insofar as copyright or other rights of third parties are not infringed.

- Recording is only possible with DECK I.
- The tape in the cassette is secured at both ends with leader tape. At the beginning and end of the cassette, nothing will be recorded for six to seven seconds.
- For recording, cassettes of IEC type I should be used.
- The recording level is set automatically, regardless of the position of VOLUME.
- Accidental erasure can be prevented by breaking the small tab in the top left-hand corner of the back of the cassette. (See Fig.12) This protection can be reversed with a piece of adhesive tape placed over the same corner.
- Store the cassettes at room temperature and do not put them too close to magnets and transformers, for example, TVs and loudspeaker boxes.

For U.K. only: Recording and Playback of material may require consent. See Copyright Act 1956 and The Performer's Protection Acts 1958 to 1972.

INSERTING A CASSETTE

- Press STOP•EJECT on DECK I or DECK II.
 - The cassette door opens.
- Insert a cassette tape into the compartment with the open side downwards and the full spool on the left.
- Close the cassette door.

RECORDING FROM OTHER SOUND SOURCES

- Press TUNER, PHONO OR CD•TV to select the sound source.
- Place a cassette tape in DECK I.
- Press RECORD to start the recording.
 - When the tape has reached its end, the tape stops.
- To interrupt recording, press PAUSE.
- To continue recording, press PAUSE again.
- Press STOP•EJECT if you want to stop the recording before the end of the tape.

Caution:

During recording, it is not advisable to fast-rewind, or fast-forward a tape in DECK II.

DUBBING CASSETTES

- Place the blank cassette you want to dub in DECK I and the source cassette in DECK II.
 - Make sure that both cassettes have their full spools on the left.
- Press HIGH SPEED DUBBING if you want to dub at high speed.
- Press PAUSE button on DECK I, then press the RECORD button.
- Press PLAY on DECK II to start the dubbing.
 - The pause button on DECK I will automatically be released.
 - When the tapes reach the end, dubbing stops.
 - The RECORD and PLAY buttons will automatically be released.
- If you want to dub the other side of the cassette, flip both cassettes over to continue dubbing.

CASSETTE DECKS

PLAYBACK

Playback of one cassette

- Press TAPE on the unit (or on the remote control).
- Place the cassette tape in DECK I or DECK II.
- Press PLAY ► to start playback.
 - Playback stops when the tape reaches the end.
- Press STOP•EJECT if you want to stop playback before the end of the tape.

Continuous playback of two cassettes

- Press TAPE on the unit or remote control.
- Place pre-recorded cassettes in DECK I and DECK II.
- First press PLAY ► on DECK II, then PLAY►, follow by PAUSE on DECK I.
 - Playback begins with DECK II.
- Playback stops when the tape in DECK II reaches the end.
 - The pause button will be automatically released and playback continues with DECK I.
- Press STOP•EJECT if you want to stop playback before the end of the tape in DECK I or DECK II.

WINDING THE TAPE

- Press REW to fast-forward the tape.
- Press WIND to fast-rewind the tape.
- Press STOP•EJECT to stop fast-forward or fast-rewind, or before the end of the tape.

MAINTENANCE

English

MAINTENANCE

THE SYSTEM

- A chamois leather slightly moistened with water is sufficient for cleaning the housing of the unit and the enclosures.
- Do not use cleaning agents containing alcohol, spirits, ammonia or abrasives.

THE RECORD PLAYER

- The record player requires no maintenance because self-lubricating bearings are used.
- The stylus unit can be removed in one piece and replaced (see Fig 7 and 8). Carefully press the front edge of the stylus unit downwards until it becomes loose. Mount a new stylus unit into place. Then push the foremost part upward until you can feel and hear the stylus click into place.
- The dust cover is fitted with frictional hinges. It can be set to almost any position. If this is not the case, carefully tighten the screws, Fig 2. The hinges must not be lubricated!

THE CASSETTE DECKS

- To ensure good recording and playback quality, clean the heads A and B, the capstans C and pressure rollers D (Fig. 14) after every 15 hours of operation.
- Use a cassette tape cleaner or a piece of cotton wool dipped in alcohol.
- The mechanism must *not* be lubricated!

FAULTS AND THEIR LIKELY CAUSES

- If a fault occurs, first check the points listed below before sending the unit for repair. If the remedies fail to help, consult your dealer.

Problems with the cassette decks

These are mainly caused by dust and dirt on the heads. See whether cleaning them helps.

PROBLEMS WITH THE WHOLE SYSTEM

Electrostatic charge may cause unexpected symptoms. See whether these symptoms disappear if you take the AC mains out of the wall socket and plug it again after a period of time.

This unit complies with the radio interference requirements as laid down in EC (European Community) regulations.

GUARANTEE AND SERVICE VALID FOR AUSTRALIA

The benefits given to the purchaser by this warranty are in addition to all other rights and remedies, which, under the Trade Practices Act or other Commonwealth or State law, the purchaser or owner has in respect of the product.

The Philips product carries the following warranties: C-series HiFi-systems: 12 months. Compact Disc Players: 12 months. Home Audio Systems: 6 months. Clock radios, portable radios, cassette recorders, cassette players and radio recorders: 90 days.

Any defect in materials or workmanship occurring within the specified period from the date of delivery, will be rectified free of charge by the retailer from whom this product was purchased.

Note: Please retain your purchase docket to assist prompt service.

Conditions of this warranty

1. All claims for warranty service must be made to the retailer from whom this product was purchased. All transport charges incurred in connection with warranty service or replacement will be paid by the purchaser.
2. These warranties do not cover batteries and extend only to defects in materials or workmanship occurring under normal use of the product where operated in accordance with our instructions.

**Philips Consumer Products Division,
Technology Park
Figtree Drive, Australia Centre
Homebush 2140, New South Wales**

GUARANTEE AND SERVICE FOR NEW ZEALAND

Thank-you for purchasing this quality Philips product. The document you are now reading is your guarantee card.

Guarantee

Philips New Zealand Ltd guarantees this product against defective components and faulty workmanship for a period of 12 months. Any defect in materials or workmanship occurring within 12 months from the date of purchase subject to the following conditions will be rectified free of charge by the retailer from whom this product was purchased.

Conditions.

1. The product must have been purchased in New Zealand, and this guarantee card completed at time of purchase (this is your proof of the date of purchase).
2. The guarantee applies only to faults caused by defective components, or faulty workmanship on the part of the manufacturer.
3. The guarantee does not cover failures caused by misuse, neglect, normal wear and tear, accidental breakage, use on the incorrect voltage, use contrary to operating instructions, or unauthorised modification to the product or repair by an unauthorised technician.
4. Reasonable evidence (in the form of a sales docket or completed guarantee card) must be supplied to indicate that the product was purchased no more than 12 months prior to the date of your claim.
5. In the event of a failure, Philips shall be under no liability for any injury, or any loss or damage caused to property or products other than the product under guarantee.

This guarantee does not prejudice your rights under common law and statute, and is in addition to the normal responsibilities of the retailer and Philips.

How to claim.

Should your Philips product fail within the guarantee period, please return it to the retailer from whom it was purchased. In most cases the retailer will be able to satisfactorily repair or replace the product.

However, should the retailer not be able to conclude the matter satisfactorily, or if you have other difficulties claiming under this guarantee, please contact

**The Guarantee Controller,
Philips New Zealand Ltd.
P.O. Box 41.021
Auckland
(09) 84 44 160**

GARANTIA PARA MEXICO

Este aparato está fabricado con materiales de alta calidad y ha sido cuidadosamente verificado. Philips, por lo tanto, da a usted una garantía de 12 meses a partir de su fecha de compra.

La garantía ampara la reposición de las piezas defectuosas debidas a fallas en su montaje o en los materiales, incluyendo la mano de obra necesaria para su reemplazo en nuestras Sucursales o talleres autorizados.

En caso de fallas en su aparato le rogamos se sirva poner en contacto con su distribuidor.

Esta garantía no cubrirá las averías que resulten como consecuencia de una instalación incorrecta del aparato, manifiesto maltrato o uso inadecuado del mismo.

Philips se obliga a reparar y devolver a usted su aparato en un plazo no mayor de 30 días hábiles contados a partir de la fecha de haber ingresado su aparato a uno de nuestros talleres.

Para que esta garantía sea válida, es necesario que el certificado que figura en la parte posterior de esté instructivo haya sido debidamente llenado en el momento de la compra del aparato.

En caso de extravío del certificado con la presentación de la factura o remisión de su aparato podrá hacer efectiva la garantía correspondiente.

Si usted tiene alguna duda o pregunta que no le pueda solucionar su distribuidor, por favor ponerse en contacto con

**Oficinas Centrales de Servicio,
Av. Coyoacán No. 1051, Col. del Valle,
03100 MÉXICO, D.F.
☎ 5-75-20-22 o 5-75-01-00**



This sign on the packaging
is only meant for Germany.

Dieses Zeichen auf der Verpackung
gilt nur für Deutschland.

Le symbole sur l'emballage
n'a que du sens en Allemagne.

Dit symbool op de verpakking
is alleen van toepassing in Duitsland.

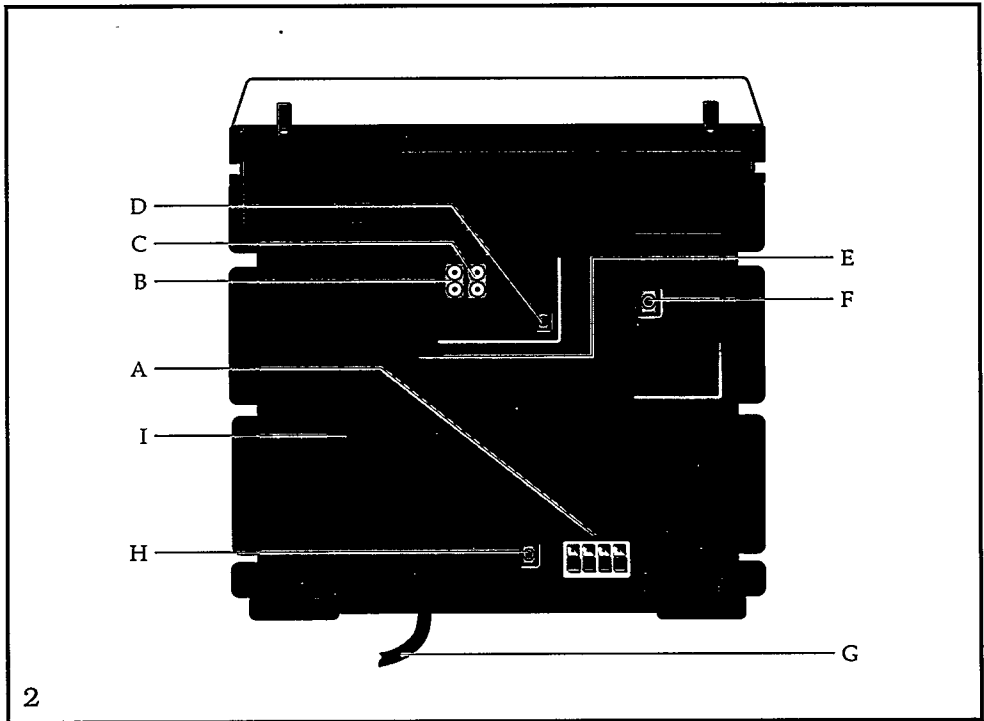
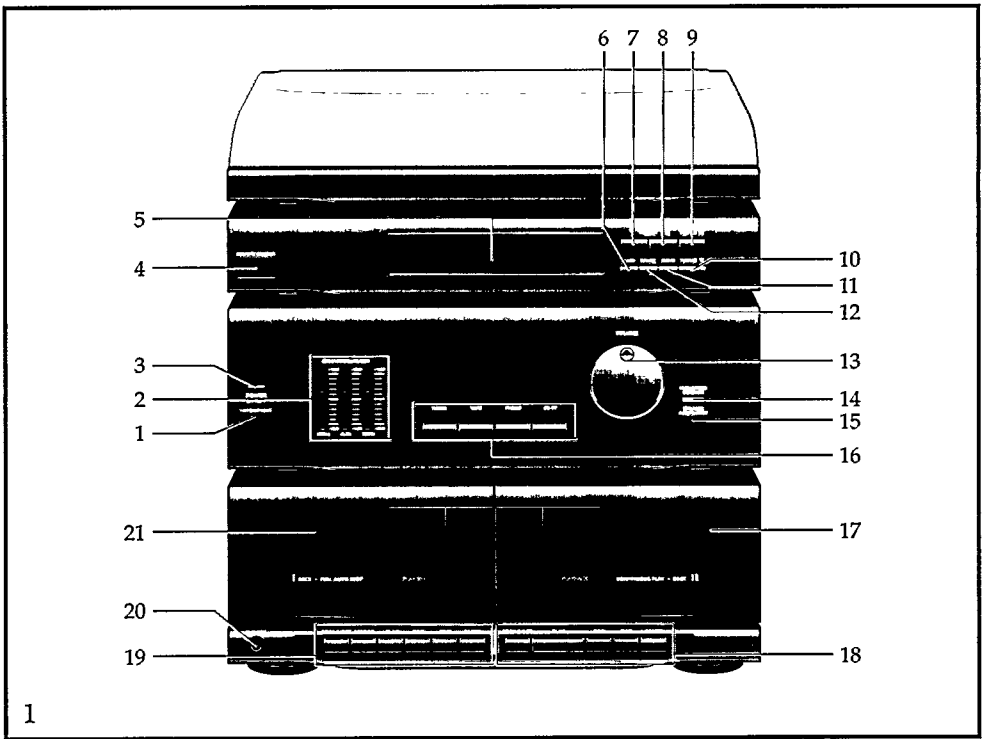
Esta señal en el paquete
es válida sólo para Alemania.

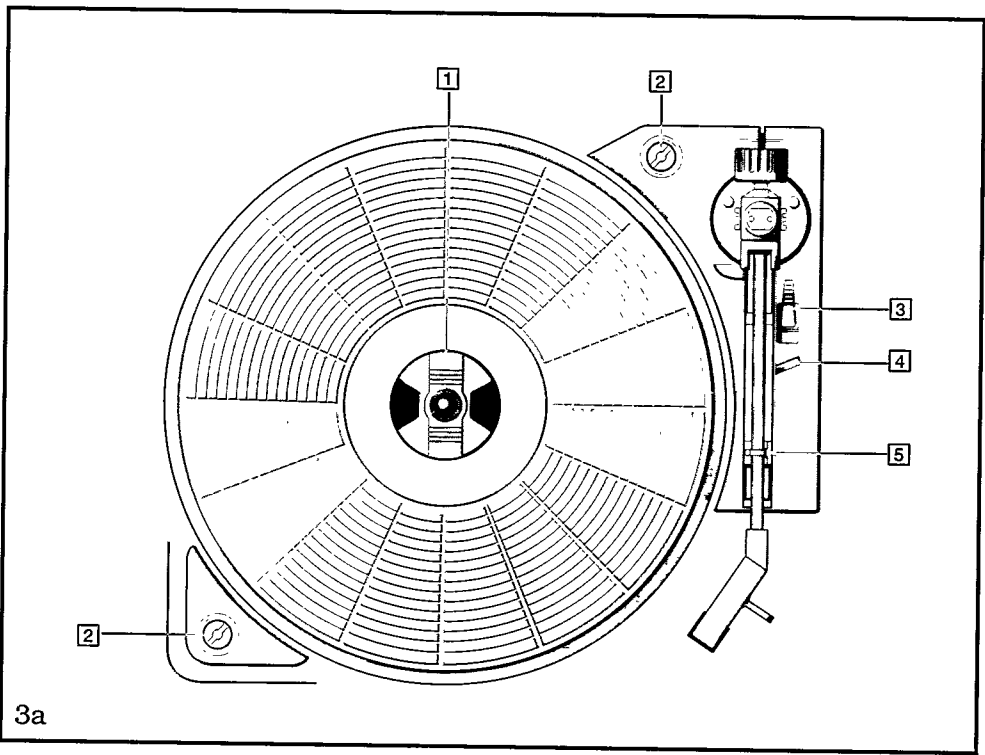
Questo simbolo sull'imballo
è destinato solo alla Germania.

Dette mærke på indpakningen
gælder kun for Tyskland.

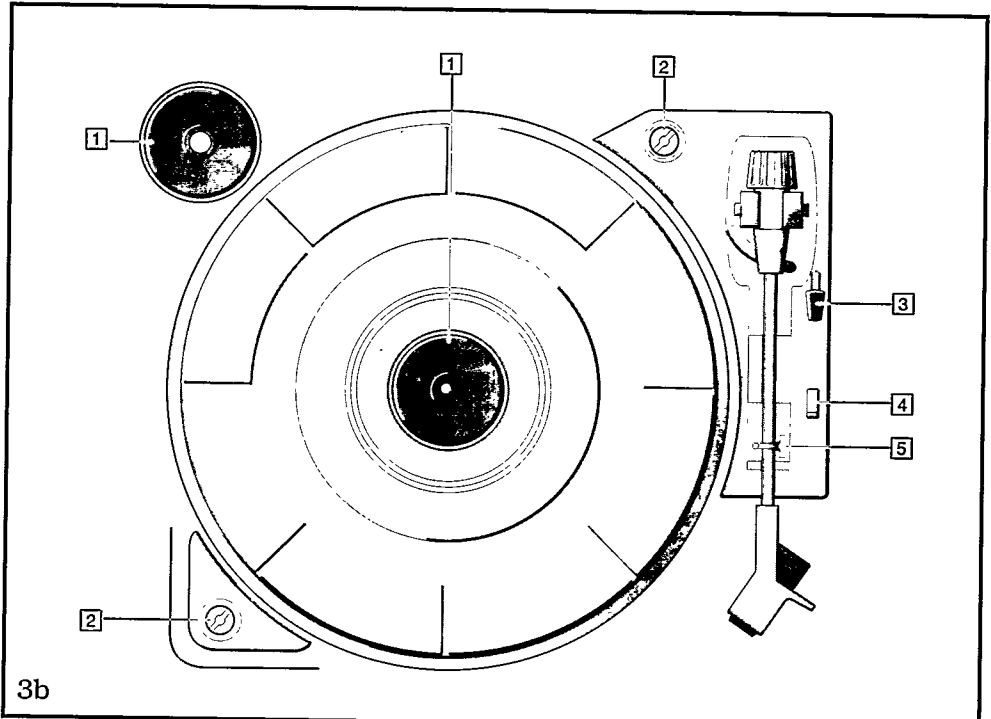
Detta märke på emballaget är
endast avsett för Tyskland.

Tämä pakkausessa oleva merkintä on
tarkoitettu ainoastaan saksaa varten.

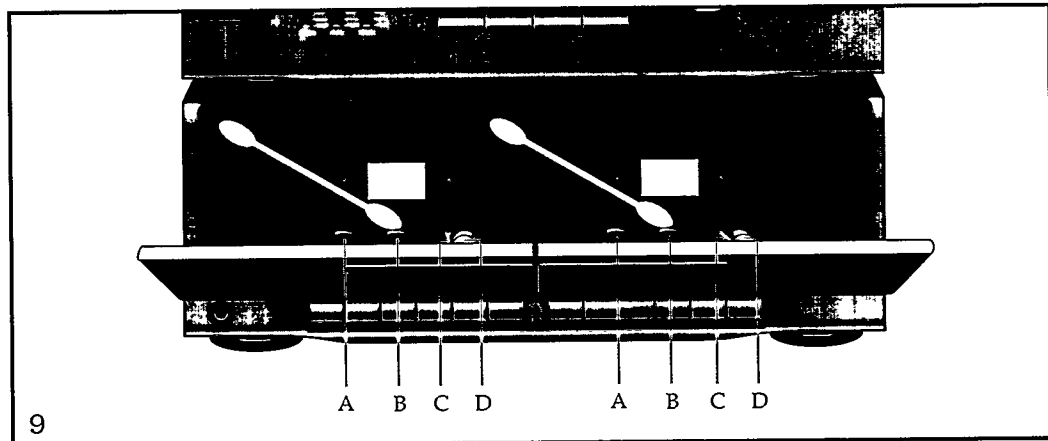
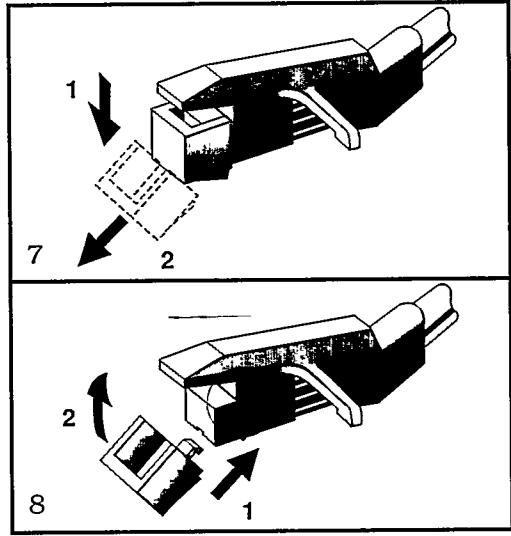
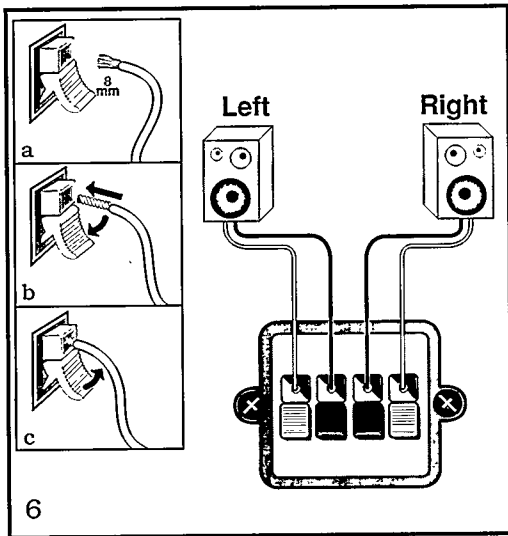
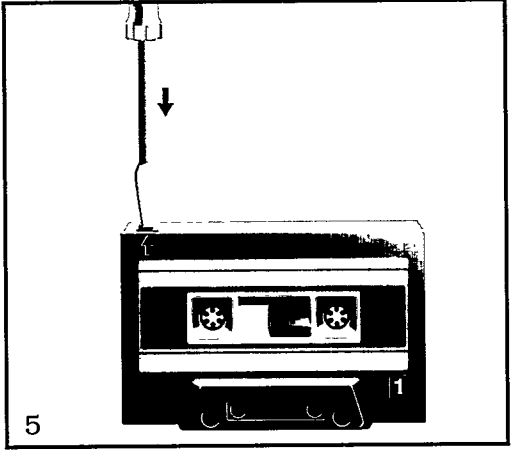
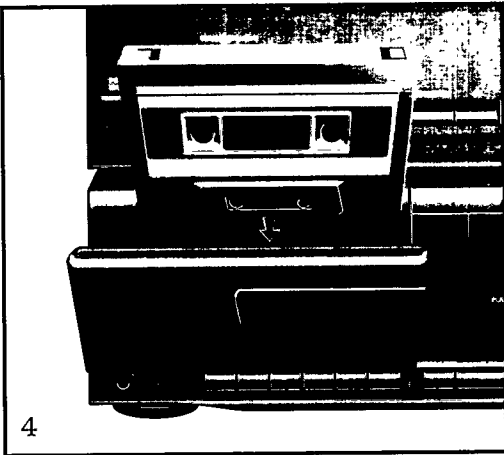




3a

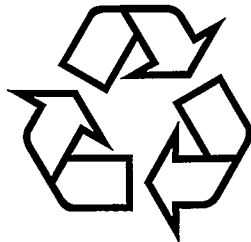


3b





AS 230
AS 235



3141 016 11701

Printed in Malaysia