

Always there to help you

Register your product and get support at
www.philips.com/welcome

AJ7050D



User manual

PHILIPS

Contents

| | | |
|----------|------------------|----------|
| 1 | Important | 2 |
| | Safety | 2 |
| | Notice | 3 |

| | | |
|----------|--|----------|
| 2 | Your Docking Entertainment System | 5 |
| | Introduction | 5 |
| | What's in the box | 5 |
| | Overview of the main unit | 6 |

| | | |
|----------|--------------------|----------|
| 3 | Get started | 8 |
| | Install batteries | 8 |
| | Connect power | 8 |
| | Turn on | 8 |
| | Switch to standby | 9 |
| | Set time and date | 9 |

| | | |
|----------|------------------------------|-----------|
| 4 | Play | 10 |
| | Play from iPod/iPhone/iPad | 10 |
| | Play from an external device | 10 |

| | | |
|----------|-------------------------|-----------|
| 5 | Listen to radio | 11 |
| | Tune to a radio station | 11 |
| | Program radio stations | 11 |

| | | |
|----------|---------------------------|-----------|
| 6 | Other features | 12 |
| | Set the alarm timer | 12 |
| | Set the sleep timer | 13 |
| | Adjust display brightness | 13 |

| | | |
|----------|-----------------------|-----------|
| 7 | Adjust sound | 14 |
| | Adjust volume level | 14 |
| | Select a sound effect | 14 |

| | | |
|----------|----------------------------|-----------|
| 8 | Product information | 15 |
| | Specifications | 15 |

| | | |
|----------|------------------------|-----------|
| 9 | Troubleshooting | 16 |
|----------|------------------------|-----------|

1 Important

Safety

Know these safety symbols



This 'bolt of lightning' indicates uninsulated material within your unit may cause an electrical shock. For the safety of everyone in your household, please do not remove product covering.

The 'exclamation point' calls attention to features for which you should read the enclosed literature closely to prevent operating and maintenance problems.

WARNING: To reduce the risk of fire or electric shock, this apparatus should not be exposed to rain or moisture and objects filled with liquids, such as vases, should not be placed on this apparatus.

CAUTION: To prevent electric shock, match wide blade of plug to wide slot, fully insert.

Important Safety Instructions

- ① Read these instructions.
 - ② Keep these instructions.
 - ③ Heed all warnings.
 - ④ Follow all instructions.
- ⑤ Do not use this apparatus near water.
 - ⑥ Clean only with dry cloth.
 - ⑦ Do not block any ventilation openings. Install in accordance with the manufacturer's instructions.
 - ⑧ Do not install near any heat sources such as radiators, heat registers, stoves, or other apparatus (including amplifiers) that produce heat.
 - ⑨ Protect the power cord from being walked on or pinched, particularly at plugs, convenience receptacles, and the point where they exit from the apparatus.
 - ⑩ Only use attachments/accessories specified by the manufacturer.
 - ⑪ Unplug this apparatus during lightning storms or when unused for long periods of time.
 - ⑫ Refer all servicing to qualified service personnel. Servicing is required when the apparatus has been damaged in any way, such as power-supply cord or plug is damaged, liquid has been spilled or objects have fallen into the apparatus, the apparatus has been exposed to rain or moisture, does not operate normally, or has been dropped.
 - ⑬ **Battery usage CAUTION – To prevent battery leakage which may result in bodily injury, property damage, or damage to the unit:**
 - Install all batteries correctly, + and - as marked on the unit.
 - Do not mix batteries (old and new or carbon and alkaline, etc.).
 - Remove batteries when the unit is not used for a long time.
 - Batteries (battery pack or batteries installed) shall not be exposed to excessive heat such as sunshine, fire or the like.

- ⑭ Apparatus shall not be exposed to dripping or splashing.
- ⑮ Do not place any sources of danger on the apparatus (e.g. liquid filled objects, lighted candles).
- ⑯ Where the MAINS plug or an appliance coupler is used as the disconnect device, the disconnect device shall remain readily operable.

Important notes for users in the U.K.

Mains fuse

This information applies only to products with a UK mains plug.

This product is fitted with an approved molded plug. If you replace the fuse, use one with:

- the ratings shown on the plug,
- a BS 1362 approval, and
- the ASTA approval mark.

Contact your dealer if you are not sure about what type of fuse to use.

Caution: To conform with the EMC directive (2004/108/EC), do not detach the plug from the power cord.

How to connect a plug

The wires in the power cord are colored as follows: blue = neutral (N), brown = live (L).

If the colors do not correspond with the colors on your plug, identify the terminals in your plug as follows:

- 1 Connect the blue wire to the terminal marked N or colored black.
- 2 Connect the brown wire to the terminal marked L or colored red.
- 3 Do not connect either wire to the earth terminal in the plug, marked E (or e) or colored green (or green and yellow).

Before you replace the plug cover, make sure that the cord grip is clamped over the sheath of the cable and not just over the two wires in the cable.

Copyright in the U.K.

Recording and playback of material may require consent. see Copyright Act 1956 and The performer's Protection Acts 1958 to 1972.



Warning

- Never remove the casing of this apparatus.
- Never lubricate any part of this apparatus.
- Never place this apparatus on other electrical equipment.
- Keep this apparatus away from direct sunlight, naked flames or heat.
- Ensure that you always have easy access to the power cord, plug or adaptor to disconnect the apparatus from the power.

Notice



This product complies with the radio interference requirements of the European Community.

Any changes or modifications made to this device that are not expressly approved by WOOX Innovations may void the user's authority to operate the equipment.

Specifications are subject to change without notice. WOOX reserves the right to change products at any time without being obliged to adjust earlier supplies accordingly.



Your product is designed and manufactured with high quality materials and components, which can be recycled and reused.



When this crossed-out wheeled bin symbol is attached to a product it means that the product is covered by the European Directive 2002/96/EC.

Please inform yourself about the local separate collection system for electrical and electronic products.

Please act according to your local rules and do not dispose of your old products with your normal household waste. Correct disposal of your old product helps to prevent potential negative consequences for the environment and human health.



Your product contains batteries covered by the European Directive 2006/66/EC, which cannot be disposed with normal household waste. Please inform yourself about the local rules on separate collection of batteries because correct disposal helps to prevent negative consequences for the environmental and human health.

Environmental information

All unnecessary packaging has been omitted. We have tried to make the packaging easy to separate into three materials: cardboard (box), polystyrene foam (buffer) and polyethylene (bags, protective foam sheet.)

Your system consists of materials which can be recycled and reused if disassembled by a specialized company. Please observe the local regulations regarding the disposal of packaging materials, exhausted batteries and old equipment.



“Made for iPod,” “Made for iPhone,” and “Made for iPad” mean that an electronic accessory has been designed to connect specifically to iPod, iPhone, or iPad, respectively, and has been certified by the developer to meet Apple performance standards. Apple is not responsible for the operation of this device or its compliance with safety and regulatory standards. Please note that the use of this accessory with iPod, iPhone, or iPad may affect wireless performance.

iPod and iPhone are trademarks of Apple Inc., registered in the U.S. and other countries. iPad is a trademark of Apple Inc.

Class II equipment symbol:



CLASS II apparatus with double insulation, and no protective earth provided.

Note

- The type plate is located on the bottom of the unit.

2 Your Docking Entertainment System

Congratulations on your purchase, and welcome to Philips! To fully benefit from the support that Philips offers, register your product at www.philips.com/welcome.

Introduction

With this unit, you can enjoy music from your iPod/iPhone/iPad and listen to radio or other audio devices.

Your iPod/ iPhone/iPad and radio can be set as alarm sources. You can set two alarms to go off at different time.

You can enrich sound output with these sound effects:

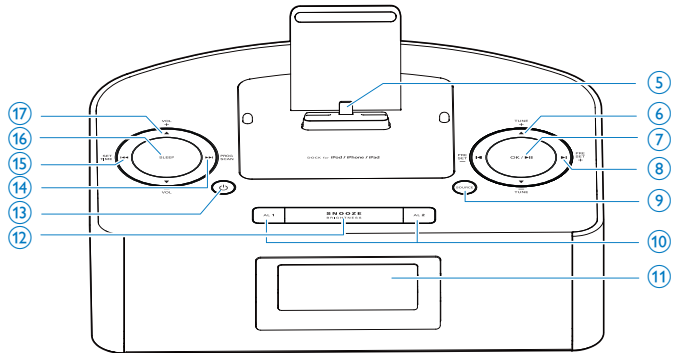
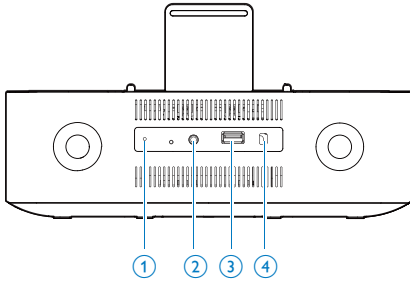
- Digital Sound Control (DSC)
- Dynamic Bass Boost (DBB)

What's in the box

Check and identify the contents of your package:

- Main unit
- Printed materials

Overview of the main unit



- ① **FM antenna**
- ② **AUDIO IN**
 - Connect an external audio device.
- ③ **USB charging port**
 - Charge a portable device (such as your 30-pin Apple device or MP3 player etc.) through a USB cable (not supplied).
- ④ **Power cord**
- ⑤ **Dock for iPod/iPhone/iPad with Lightning connection**
- ⑥ **TUNE+/TUNE- (▲/▼)**
 - During clock setting in standby mode, set the time format and adjust the hour/minute.
- ⑦ **OK/▶||**
 - During alarm setting, adjust the alarm clock and volume, and select a sound source.
 - Tune to an FM audio station.
 - In dock mode, start or pause iPod/iPhone/iPad play.
 - In FM mode, select FM stereo or FM mono.
 - Confirm manual programming of FM radio stations.
- ⑧ **PRESET +/-PRESET - (◀/▶)**
 - Skip to next/previous track.
 - Select a preset radio program.
 - In dock mode, press and hold to fast forward/backward.

- ⑨ **SOURCE**
- Select a source: DOCK, FM or AUDIO IN.
- ⑩ **AL1/AL2**
- Set alarm.
 - View alarm settings.
 - Activate/deactivate alarm timer.
- ⑪ **Display panel**
- Show the current status.
- ⑫ **SNOOZE/BRIGHTNESS**
- Snooze alarm.
 - Adjust the display brightness.
- ⑬ **⏻**
- Turn on the unit or switch to standby mode.
 - Stop alarm.
- ⑭ **PROG/SCAN (▶▶)**
- Program radio stations.
 - Automatically scan for radio stations.
 - In dock mode, press and hold to fast forward.
- ⑮ **SET TIME (◀◀)**
- In standby mode, set month, day and year.
 - In other modes, enable/disable either DBB (Dynamic Bass Boost) or DSC (Digital Sound Control) sound effect.
 - In dock mode, press and hold to fast backward.
- ⑯ **SLEEP**
- Set the sleep timer.
- ⑰ **VOL +/VOL - (▲ / ▼)**
- Increase/decrease volume.

3 Get started

! Caution

- Use of controls or adjustments or performance of procedures other than herein may result in hazardous radiation exposure or other unsafe operation.

Always follow the instructions in this chapter in sequence.

If you contact Philips, you will be asked for the model and serial number of this apparatus. The model number and serial number are on the bottom of the apparatus. Write the numbers here:

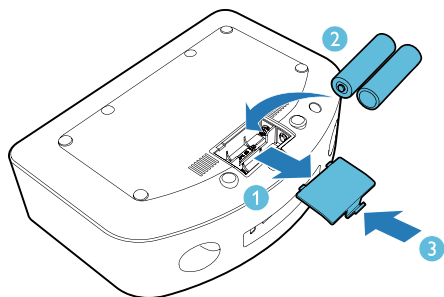
Model No. _____

Serial No. _____

Install batteries

≡ Note

- You can only use AC power as power supply. Batteries (not supplied) are for backup purpose.



- 1 Open the battery compartment.
- 2 Insert 2 x AAA size batteries with correct polarity (+/-) as indicated.
- 3 Close the battery compartment.

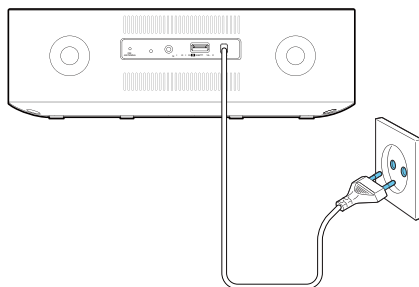
! Caution

- Risk of explosion! Keep batteries away from heat, sunshine or fire. Never discard batteries in fire.
- Risk of decreased battery life! Never mix different brands or types of batteries.
- Risk of product damage! When the remote control is not used for long periods, remove the batteries.

Connect power

! Caution

- Risk of product damage! Ensure that the power voltage corresponds to the voltage printed on the bottom of the apparatus.
- Risk of electric shock! When you unplug the AC power cord, always pull the plug from the socket. Never pull the cord.
- Before connecting the AC power cord, ensure you have completed all other connections.
- To disconnect the set from the mains completely, remove the mains plug from the wall socket.



- Connect the AC power cord to the wall outlet.

Turn on

- Press **⏻**.
➔ The unit switches to the last selected source.

Switch to standby

- Press \odot again to switch the unit to standby mode.
 - ↳ The time and date (if set) appear on the display panel.

Set time and date

- 1 In standby mode, press and hold **SET TIME** for 2 seconds.
 - ↳ [24H] begins to blink, and you can hear a beep.
- 2 Press **TUNE+** or **TUNE-** to select the 12/24 hour format.
- 3 Press **OK** to confirm.
 - ↳ 00:00 will display, and the hour digits begin to blink.
- 4 Repeat steps 2-3 to set the hour, minute, month, day and year.



Tip

- In 12 hour format, [MONTH--DAY] is displayed.
- in 24 hour format, [DAY--MONTH] is displayed.



Note

- When iPod/iPhone/iPad is connected, the docking unit synchronizes time from the iPod/iPhone/iPad automatically.

4 Play

Play from iPod/iPhone/iPad

You can enjoy audio from iPod/iPhone/iPad through this unit.

Compatible iPod/iPhone/iPad

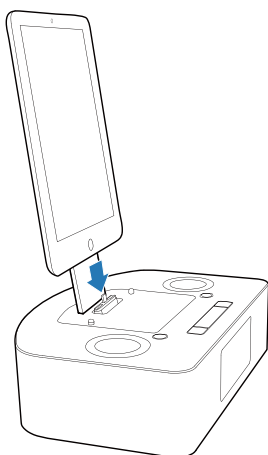
The unit supports the following iPod, iPhone, and iPad models:

Made for:

- iPod nano (7th generation)
- iPod touch (5th generation)
- iPad (4th generation)
- iPad mini
- iPhone 5

Listen to the iPod/iPhone/iPad

- 1 Press **SOURCE** repeatedly to select the **DOCK** source.
- 2 Load the iPhone/iPod/iPad.



- To pause/resume play, press **▶||**.
- To skip to a track, press **◀|** / **|▶**.
- To search during play, press and hold **◀◀** / **▶▶** or **PRESET +**/**PRESET -**, then release to resume normal play.

Charge the iPod/iPhone/iPad

When the unit is connected to power, the docked iPod/iPhone/iPad begins to charge.



Tip

- For certain iPod models, it may take up to a minute before the charging indication appears.

Play from an external device

You can also listen to an external audio device through this unit.

- 1 Press **SOURCE** repeatedly to select the **AUDIO IN** source.
- 2 Connect a 3.5mm audio link cable (not supplied) to:
 - the **AUDIO IN** jack (3.5mm) on the back of the unit.
 - the headphone jack on an external device.↳ the screen displays scrolling text message **[AUDIO IN]** and the current time.
- 3 Start to play the device (see the device user manual).

5 Listen to radio

Note

- Only FM radio reception is available on this unit.

Tune to a radio station

Tip

- For optimal reception, fully extend and adjust the position of the FM antenna.
- Position the antenna as far as possible from TV, VCR or other radiation source.
- [STEREO] is the default setting for tuner mode.
- In tuner mode, you can press **OK/▶||** to toggle between [STEREO] and [MONO], and the unit memorizes your setting even if you turn off the unit or turn to other sources.

- 1 Press **SOURCE** repeatedly to select FM mode.
- 2 Press and hold **TUNE+/TUNE-** for more than 2 seconds.
 - ↳ The radio tunes to next station with strong reception automatically.
- 3 Repeat step 2 to tune to more stations.
 - To tune to a weak station, press **TUNE+/TUNE-** repeatedly until you find optimal reception.

Program radio stations

Radio station preset allows you to save radio stations, and quickly tune to a favorite station.

Note

- The preset list can store up to 20 stations.
- If the preset list is fully occupied, the screen will show [FULL] (full).
- When you save a radio station to a position that has already been occupied, the original radio station will be replaced.

Program radio stations manually

1. Press **SOURCE** repeatedly to enter the FM mode.
2. Press **TUNE+/TUNE-** to tune to a radio station.
3. Press **PROG/SCAN**.
 - ↳ A position number flashes.
4. Press **OK** to save current radio station to the selected position.

Tip

- Press **PRESET +/-PRESET -** to change the position to save a radio station.

Program radio stations automatically

- 1 Press **SOURCE** repeatedly to enter the FM mode.
- 2 Press and hold **PROG/SCAN**.
 - ↳ The screen displays [AUTO] (auto);
 - ↳ The unit starts to scan for all available radio stations automatically, and stores them to the preset list.
- 3 Wait until the auto scan finishes.
 - ↳ The first station in the preset list broadcasts automatically.

Select a preset radio station

- 1 Press **◀/▶** to select a preset number.

6 Other features

Set the alarm timer

You can set two alarms at different times.

Note

- Ensure that you have set the clock correctly.

- 1 Press and hold **AL1** or **AL2**.
 - ↳ The hour digits begin to blink, and you can hear one beep.
 - ↳ [AL SET] (alarm set) flashes on the screen.
- 2 Press **TUNE+ / TUNE-** repeatedly to set the hour.
- 3 Press **OK** to confirm.
 - ↳ The minute digits begin to blink.
 - ↳ [AL SET] (alarm set) flashes on the screen.
- 4 Repeat steps 2-3 to set the minute, select when to ring alarm, and choose alarm sound source and alarm volume.

After alarm volume is set, the unit will exit alarm setting, and you can hear two beeps.

Tip

- If you select **DOCK** as the alarm sound source, when there is no device docked, the alarm will automatically switch to buzzer to ring the alarm.
- If both alarms are set to the same time, only Alarm 1 will ring.

View the alarm settings

Press **AL1** or **AL2** to view alarm settings.

Activate and deactivate the alarm timer

When an alarm setting is shown on the screen, press **AL1/AL2** repeatedly to activate or deactivate the timer:

- ↳ If the timer is activated, [🔔 AL 1] or [🔔 AL2] is displayed.
- ↳ If the timer is deactivated, [🔕 AL1] or [🔕 AL2] disappears.

Snooze

When the alarm rings, press **SNOOZE**.

- ↳ The alarm stops, and the alarm icon flashes.
- ↳ The alarm will resume ringing 9 minutes later.

Note

- When using batteries to operate, alarms can only use buzzer as sound source.

Stop alarm ring

When the alarm rings, press the corresponding **AL1** or **AL2**.

- ↳ The alarm stops but the alarm settings remain.

Tip

- You can also press **⏻** to stop the alarm. The unit will switch to the last selected source.
- If you press and hold **⏻**, the alarm will also be stopped, and the unit will switch to standby mode.
- If you do not stop the alarm, it will ring for 30 minutes.
- When an alarm rings, it shall begin from a relative low volume, and rise gradually to the highest alarm volume in 90 seconds.

Set the sleep timer

This unit can switch to standby automatically after a set period of time.

Press **SLEEP** repeatedly to select from 120, 90, 60, 45, 30 and 15 minutes.

- ↳ When the sleep timer is activated, the display shows **zZ**.

To deactivate sleep timer

1 Press **SLEEP** repeatedly until [OFF] (off) is displayed.

- ↳ The sleep timer is deactivated, **zZ** disappears on the display.

Adjust display brightness

When no alarm is firing, press **BRIGHTNESS** repeatedly to select different levels of display brightness.



Note

- When using batteries to operate, you can not select brightness levels.

7 Adjust sound

Adjust volume level

During play, press **VOL +/-** to increase/decrease the volume level step by step.



Tip

- Press and hold **VOL +/-** to increase/decrease the volume at faster speed.

Select a sound effect

During play, press **SET TIME** repeatedly to select from a preset sound effect and turn on/off dynamic bass enhancement.



Note

- The unit supports the following sound effects: **[POP]** (pop), **[JAZZ]** (jazz), **[ROCK]** (rock), **[CLAS]** (classic) and **[FLAT]** (flat).
- If DBB is activated, **[DBB]** is displayed.

8 Product information

Note

- Product information is subject to change without prior notice.

General information

| | |
|---|--------------------|
| AC power | 110-240V~,50/60Hz |
| Operation Power Consumption | 28 W |
| Standby Power Consumption (clock display) | <1 W |
| Dimensions | |
| - Main Unit (W x H x D) | 260 x 137 x 185 mm |
| Weight (Main unit, without packing) | 1.13 kg |

Specifications

Amplifier

| | |
|-----------------------|---------------------|
| Total output power | 2 x 3W RMS |
| Frequency Response | 80Hz-16kHz ±3dB |
| Signal to Noise Ratio | ≥ 67dBA |
| Aux Input (Audio in) | 600mV RMS 22kohm |

FM

| | |
|---------------------------|-------------------|
| Tuning Range | FM 87.5 - 108 MHz |
| Tuning grid | 50 KHz |
| - Mono, 26dB S/N Ratio | <22 dBf |
| - Stereo, 46dB S/N Ratio | <43 dBf |
| Search Sensitivity | <28 dBf |
| Total Harmonic Distortion | <2% |
| Signal to Noise Ratio | >50 dB |

Speakers

| | |
|-------------------|-----------------|
| Speaker Impedance | 4 ohm |
| Speaker Driver | 58mm full range |
| Sensitivity | 83dB/1m/1W |

9 Troubleshooting

Caution

- Never remove the casing of this apparatus.

To keep the warranty valid, never try to repair the system yourself.

If you encounter problems when using this apparatus, check the following points before requesting service. If the problem remains unsolved, go to the philips web site (www.philips.com/support). When you contact philips, ensure that your apparatus is nearby and the model number and serial number are available.

No power

- Ensure that the AC power plug of the unit is connected properly.
- Ensure that there is power at the AC outlet.
- Ensure that the batteries are inserted correctly.

No sound

- Adjust the volume.
- Check if the unit is performing auto scan. Volume is muted during auto scan process.

No response from the unit

- Remove the batteries from the main unit (if inserted), disconnect and reconnect the AC power plug, and turn on the unit again.

Poor radio reception

- Increase the distance between the unit and your TV or VCR.
- Fully extend the FM antenna.

Timer does not work

- Set the clock correctly.
- Switch on the timer.

Clock/timer setting erased

- Power has been interrupted or the power plug has been disconnected.
- Reset the clock/timer.



2014 © WOOX Innovations Limited.

All rights reserved.

This product was brought to the market by WOOX Innovations Limited or one of its affiliates, further referred to in this document as WOOX Innovations, and is the manufacturer of the product. WOOX Innovations is the warrantor in relation to the product with which this booklet was packaged. Philips and the Philips Shield Emblem are registered trademarks of Koninklijke Philips N.V.

AJ7050D_UM_12_V2.0

