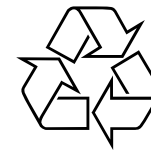


CD Clock Radio

AJ3910

User manual
Manuel d'utilisation
Manual del usuario
Gebruikershandleiding
Benutzerhandbuch

Meet Philips at the Internet
<http://www.audio.philips.com>



AJ 3910

PHILIPS



Printed in China

Jason-0441

Important notes for users in the U.K.

Mains plug

This apparatus is fitted with an approved 13 Amp plug. To change a fuse in this type of plug proceed as follows:

- 1.** Remove fuse cover and fuse.
- 2.** Fix new fuse which should be a BS1362 5 Amp, A.S.T.A. or BSI approved type.
- 3.** Refit the fuse cover.

If the fitted plug is not suitable for your socket outlets, it should be cut off and an appropriate plug fitted in its place. If the mains plug contains a fuse, this should have a value of 5 Amp. If a plug without a fuse is used, the fuse at the distribution board should not be greater than 5 Amp.

Note: The severed plug must be disposed of to avoid a possible shock hazard should it be inserted into a 13 Amp socket elsewhere.

How to connect a plug

The wires in the mains lead are coloured with the following code: blue = neutral (N), brown = live (L). As these colours may not correspond with the colour markings identifying the terminals in your plug, proceed as follows:

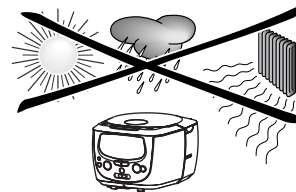
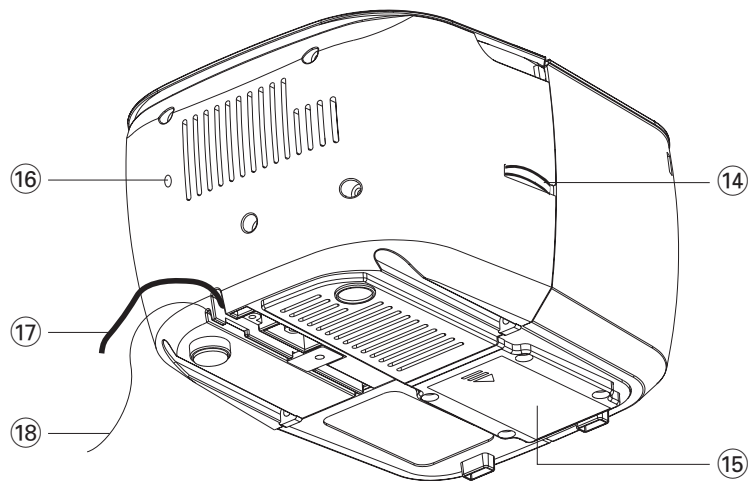
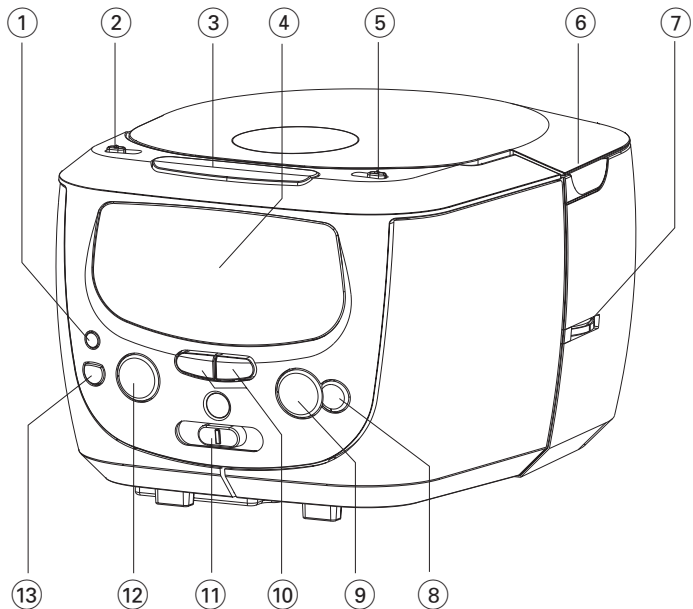
- Connect the blue wire to the terminal marked N or coloured black.
- Connect the brown wire to the terminal marked L or coloured red.
- Do not connect either wire to the earth terminal in the plug, marked E (or e) or coloured green (or green and yellow).

Before replacing the plug cover, make certain that the cord grip is clamped over the sheath of the lead - not simply over the two wires.

Copyright in the U.K.

Recording and playback of material may require consent. See Copyright Act 1956 and The Performer's Protection Acts 1958 to 1972.

1



English

Controls (see figure 1)

- ① **SET TIME** – adjusts clock time
- ② **ALARM 1**
 - **ON** – switches on ALARM 1
 - **SET** – adjusts alarm time of ALARM 1
 - **OFF** – switches ALARM 1 off
- ③ **REPEAT ALARM** – switches off alarm for a 6-minute period
- ④ **Display** – shows the clock/ alarm time or CD tracks
- ⑤ **ALARM 2**
 - **ON** – switches on ALARM 2
 - **SET** – adjusts alarm time of ALARM 2
 - **OFF** – switches ALARM 2 off
- ⑥ **LIFT TO OPEN** – lift here to open / close CD door
- ⑦ **TUNING** – tunes to a radio station
- ⑧ **STOP ■** – stops CD playback
- ⑨ **PLAY / PAUSE ►II** – starts / pauses CD playback
- ⑩ **MIN ◀◀ / HOUR ▶▶**
 - adjusts clock / alarm time
 - skips CD tracks / searches for a particular passage
- ⑪ **FM•MW•BUZ•CD**
 - selects FM, MW or CD sound source
 - selects radio, buzzer or CD alarm mode
- ⑫ **POWER / ALARM RESET**
 - switch the set ON / OFF
 - stops the active alarm for 24 hours
 - switch off the sleep timer
- ⑬ **SLEEP**
 - adjusts timer options for radio / CD playback
 - switches on radio or CD for timer mode
- ⑭ **VOLUME** – adjusts sound level

Controls/ Power supply

- ⑮ **Battery compartment** – insert a 9 volt battery, type 6F22 (not supplied) for clock memory backup
- ⑯ **RESET** – use ballpointpen to press button if the set/display does not react on any of the controls
- ⑰ **Power cord** – connects to wall outlet
- ⑱ **Pigtail** – improves FM reception.

Power supply

- 1 Check if the power voltage **as shown on the type plate** on the base of the set corresponds to your local power supply.
- 2 Connect the power plug to the wall outlet. The power supply is now switched on and the numbers on the display shows 0:00. You will need to set the correct time.
- 3 To disconnect the set from the power supply completely, unplug from the wall outlet.

Standby power consumption

(clock mode) **1.6W**

The type plate is located on the bottom of the set.

For users in the U.K., please follow the boxed instructions 'Important notes...' on this sheet.

Clock

Clock memory backup

When a power failure occurs, the complete clock radio will be switched off. When the power supply returns, the time display shows 0:00 and you will need to reset the correct time on the clock.

To retain the clock time and the set alarm time(s) in the event of an AC power failure or disconnection, insert a 9 volt battery (suggest to use type 6F22, not supplied) into the battery compartment: this will act as a clock memory backup. However, the time will not be illuminated on the clock display. Operation of the alarms, FM / MW radio and CD are also excluded. As soon as the power supply returns, the display will indicate the correct time.

- 1 Connect the power plug to the wall outlet.
 - 2 Insert the battery into the battery compartment.
- Replace the battery once a year, or as often as necessary.

Batteries contain chemical substances, so they should be disposed of properly.

Setting the clock

Clock display

The time is shown and the display also indicates whether you have switched on the alarm(s), and these indicators will light up respectively next to **AL1** and **AL2** on the display.

The time is displayed using 24 hours clock.

- 1 Press and hold down the **SET TIME** button.
- 2 Simultaneously, press and hold down **MIN ◀◀** or **HOUR ▶▶** to adjust the minutes or hours.
- 3 Release **SET TIME** and **MIN ◀◀ / HOUR ▶▶** when you have reached the desired setting.

Radio/CD Player

Radio

- 1 Press **POWER** to switch on.
→ **POWER** button lights up.
- 2 Use **FM•MW•BUZ•CD** slider to select FM or MW waveband.
- 3 Use **TUNING** (on the side panel) to find your station.
- 4 Adjust the sound with the **VOLUME** control.
- 5 Press **POWER** to switch off.
→ **POWER** button light will turn off.

To improve reception:

FM: Extend and position the pigtail fully to obtain optimal reception.

MW: Uses a built-in antenna. Direct the antenna by adjusting the position of your unit.

This set complies with the radio interference requirements of the European Community.

CD playback

This CD clock radio can play only audio discs including CD-recordables. Do not try to play a CD-ROM, CD-RW, CDI, VCD, DVD or computer CD.

- 1 Open the CD door.
- 2 Insert a CD with printed side facing up, and close the CD door.
- 3 Press **POWER** to switch on.
→ **POWER** button lights up.
- 4 Select CD by using the **FM•MW•BUZ•CD** slider.
- 5 Press **PLAY / PAUSE ►II** to start playback.
→ Display shows current track number briefly.

CD Player

- Adjust the sound with the **VOLUME** control.
- To interrupt, press **▶II**.
- Press **▶II** again to resume playback.
- Press **STOP ■** to stop playback.
→ Display shows the total number of tracks briefly.
- Press **POWER** to switch off.
→ POWER button light will turn off.

Helpful hints:

- You can also press **POWER** to stop CD playback.

Selecting a different track during playback

- Press **▶▶** once or more to skip to the next track(s).
- Press **◀◀** once and playback will return to the beginning of the current track.
- Press **◀◀** more than once to skip to previous tracks.
The track number appears briefly in the display when you press **◀◀, ▶▶** to skip tracks.

Finding a passage within a track

- During playback, press and hold down **◀◀** or **▶▶**.
→ The CD is played at high speed and low volume.
- Release **◀◀** or **▶▶** when you recognize the passage you want.
→ Normal CD playback resumes.

Alarm

Using the alarm

General

Two different alarm times ALARM 1 and ALARM 2 can be set in the CD, radio or buzzer modes.

Setting the alarm time

- Push the **ALARM 1** or **ALARM 2** slider to **SET**.
→ Display shows Alarm 1 or Alarm 2 time and flashes.

Helpful hints:

- Do not intend to push both ALARM sliders to SET at the same time.

- Press and hold down **MIN ◀◀ / HOUR ▶▶** to fast adjust both the hours and minutes settings.
- Release **MIN ◀◀ / HOUR ▶▶** when you have reached the desired setting.
→ If you need to adjust the time slowly, minute by minute, press and release **MIN ◀◀ / HOUR ▶▶** repeatedly.
- Push the **ALARM 1** or **ALARM 2** slider to **OFF**.
→ The clock display goes back to clock time. To review your set alarm time, slide the **ALARM 1** or **ALARM 2** to **SET**.

Selecting alarm mode options

- Press **POWER** to switch off.
- Select your choice of alarm mode: either FM, MW, buzzer or CD by using the **FM•MW•BUZ•CD** slider:
- Push the **ALARM 1** or **ALARM 2** slider to **ON**.
→ The respective ALARM indicator lights up on the display.

Alarm

- At the set alarm time, the radio, CD or buzzer will switch on and it will automatically switch off around 60 minutes later.

Helpful hints:

- If CD alarm mode is selected, a CD must be inserted. CD will play from first track.
- If you have chosen Radio or CD as sleep mode, it will then be your alarm mode.

Switching off the alarm

There are three ways of switching off the alarm. Unless you choose to cancel the alarm completely, the DAILY ALARM RESET option will be automatically selected after around 60 minutes from the time your alarm time first goes off.

24-hour alarm reset

If you want the alarm mode to be stopped immediately but also wish to repeat the alarm call at the same time for the following day:
→ Press **POWER / ALARM RESET** during the alarm call.

Repeat alarm

This will repeat your alarm call at 6-minute intervals.

- During the alarm call, press **REPEAT ALARM**.
- Repeat as desired up to 9 times.

Switching off the alarm completely

Push the **ALARM 1** or **ALARM 2** slider to the **OFF** position.
→ The alarm indicator will disappear from the display.

Sleep

Sleep

The CD clock radio has a built-in sleep timer, which enables the set to be automatically switched off during radio or CD playback after a set period of time. There are 4 sleep times: 90, 60, 30 minutes and **off**.

Setting the sleep time

- Press **POWER** to switch off the set
- Select your timer option by pressing **SLEEP** once or more until the desired option is shown.
→ Display shows: -- (off) → 90 (minutes) → 60 → 30 → -- (off)...
- After a few seconds, the set turns on.
→ For CD mode is selected, press **PLAY / PAUSE ▶II** to start playback.
- The set will turn off automatically after the selected time.
- To cancel the timer function, either
 - press the **SLEEP** button one or more until "- -" appears
 - or press **POWER** to switch **OFF**.

Helpful hints:

- The sleep function does not affect your alarm time setting(s).
- If you have an alarm set in the radio or CD mode, make sure you have adjusted the volume loud enough to wake you up before you set the sleep time.

Maintenance

Safety and general maintenance

- Place the set on a hard and flat surface so that the system does not tilt.
- Do not expose the set, batteries, CDs to humidity, rain, sand or excessive heat caused by heating equipment or direct sunlight.
- The apparatus shall not be exposed to dripping or splashing.
- Adequate ventilation with a minimum gap of 15cm between the ventilation holes and surrounding surfaces is necessary to prevent heat build-up.
- The ventilation should not be impeded by covering the ventilation openings with items, such as newspapers, table-cloths, curtains, etc..
- No objects filled with liquids, such as vases, shall be placed on the apparatus.
- No naked flame sources, such as lighted candles, should be placed on the apparatus.
- The mechanical parts of the set contain self-lubricating bearings and must not be oiled or lubricated.
- To clean the set, use a soft dry cloth. Do not use any cleaning agents containing alcohol, ammonia, benzene or abrasives as these may harm the housing.

CD player and CD handling

- If you do not intend to use the CD clock radio for a long time, withdraw the power cord from the wall outlet.
- The lens of the CD player should never be touched!
- Sudden changes in the surrounding temperature can cause condensation to form and the lens of your CD player to cloud over. Playing a CD is then not possible. Do not attempt to clean the lens but leave the set in a warm environment until the moisture evaporates.
- Always shut the CD door to keep the CD compartment dust-free. To clean, dust the compartment with a soft dry cloth.
- To clean the CD, wipe in a straight line from the center towards the edge using a soft, lint-free cloth. Do not use cleaning agents as they may damage the disc.
- Never write on a CD or attach any stickers to it.

CAUTION

Use of controls or adjustments or performance of procedures other than herein may result in hazardous radiation exposure or other unsafe operation.

Troubleshooting

If a fault occurs, first check the points listed below before taking the set for repair.

If you are unable to remedy a problem by following these hints, consult your dealer or service center.

WARNING: Do not open the set as there is a risk of electric shock. Under no circumstances should you try to repair the set yourself, as this will invalidate the warranty.

No sound

- Volume not adjusted
- Adjust the VOLUME

Button fail to react

- Electrostatic discharge
- Press the RESET hole, or disconnect the set from the power supply, and reconnect the set after 5 minutes.

CD playback does not work

- CD badly scratched or dirty
- Replace/ clean CD
- Laser lens steamed up
- Wait until lens has adjusted to room temperature
- Laser lens dirty
- Clean lens by playing a CD lens cleaning disc
- CD-R is non-finalized
- Use a finalized CD-R

Occasional crackling sound during FM broadcast

- Weak signal
- Extend pigtail fully

Continuous crackling/ hiss disturbance during MW broadcast

- Electrical interference from TVs, computers, fluorescent lamps, etc.
- Move set away from other electrical equipment

The alarm does not function

- Alarm time not set
- See **Setting the alarm time**
- Alarm mode not selected
- See **Setting alarm mode options.**
- No CD is inserted as CD is selected as Alarm mode.
- Insert a CD

Environmental information

All necessary packing material has been omitted to make the packing easy to separate into 2 categories: cardboard and paper pulp.

Your unit consists of materials which can be recycled if disassembled by a specialized company. Please observe local regulations on the disposal of packing materials and old equipment.