

# Clock Radio

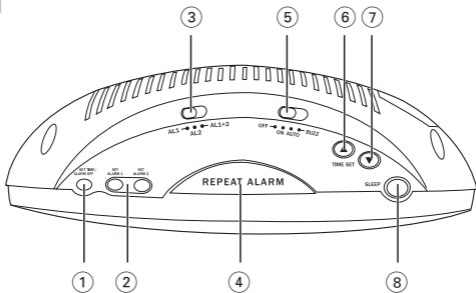
AJ3540

User manual

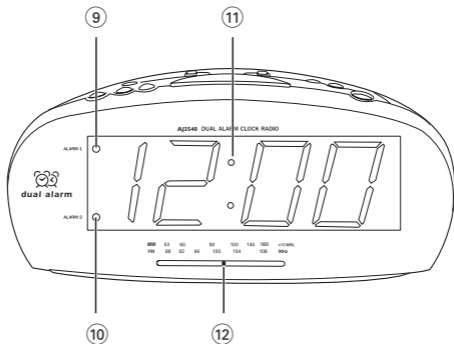


# PHILIPS

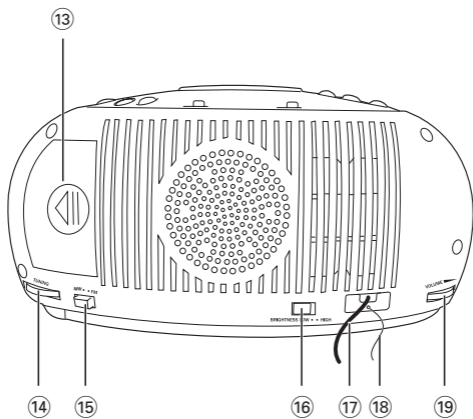
1



2



3



# English

## CONTROLS

**Top View** (see fig. )

- ① **SET TIME /ALARM OFF**
  - sets the clock time
  - stops the active alarm for 24 hours
  - switches off the radio sleep function
- ② **SET ALARM 1 / SET ALARM 2** - sets the alarm time for alarm 1 / alarm 2
- ③ **AL1/ AL2 /AL1+2** - selects which alarm(s) you want to set alarm time on
- ④ **REPEAT ALARM** - switches off the active alarm for a 7-8 minutes period
- ⑤ **OFF/ ON/ AUTO/ BUZZ**
  - OFF:** switches off the radio/alarm
  - ON:** switches on the radio
  - AUTO:** activates the radio for alarm
  - BUZZ:** activates the buzzer for alarm
- ⑥ **TIME SET ▲** - to adjust time fast forward
- ⑦ **TIME SET ▼** - to adjust time back
- ⑧ **SLEEP**
  - activates the radio for sleep function
  - adjusts the sleep period

**Front View** (see fig. )

- ⑨ **ALARM 1** indicator - lights up when alarm 1 is activated.
- ⑩ **ALARM 2** indicator - lights up when alarm 2 is activated.
- ⑪ **DISPLAY** - shows the clock/alarm time and status of the setting
- ⑫ **Frequency** pointer - shows the radio frequency of your selected waveband

## Back View (see fig. 3 )

- ⑬ **Battery door** - opens to store a **9 volts 6F22** battery (not included) for clock memory backup.
- ⑭ **TUNING** - tunes to radio stations
- ⑮ **FM/MW** - selects FM/MW waveband
- ⑯ **BRIGHTNESS (High or Low)** -selects display brightness
- ⑰ **Power cord** - connects to wall outlet
- ⑱ **Pigtail** - improve FM reception
- ⑲ **VOLUME** - adjusts the sound level

## INSTALLATION

### POWER SUPPLY

- 1 Check if the power supply, as shown on the **type plate located on the bottom of the set**, corresponds to your local power supply. If it does not, consult your dealer or service center.
- 2 Connect the power cord to the wall outlet.
- 3 **To disconnect the set from the power supply completely, remove the plug from the wall outlet.**

## SELECTING DISPLAY BRIGHTNESS

This set allows you to choose high or low brightness of display.

- Adjust **BRIGHTNESS** switch (located on the rear of the set) to **HIGH** or **LOW** position.

### CAUTION

**Use of controls or adjustments or performance of procedures other than herein may result in unsafe operation.**

---

## CLOCK MEMORY BACKUP

The clock memory backup allows your alarm and clock time settings to be stored for up to a day when there is a power interruption e.g. power failure. The complete clock radio and display illumination will be switched off. As soon as the power supply returns, the display will indicate the correct time.

- 1 Remove the battery door to insert a **9 volts 6F22** type battery (not included) for backup.
- 2 Replace the battery door.

**NOTE:** *If no backup battery is installed or the power interruption is prolonged, you will need to set the clock and alarm times again.*

**Batteries contain chemical substances so they should be disposed of properly.**

Standby power consumption .....2W

## RADIO

*You can use this set solely as a radio!*

- 1 Adjust **OFF/ ON/ AUTO/ BUZZ** to **ON** to switch on the radio.
- 2 Select your waveband by adjusting the **FM/MW** switch.
- 3 Adjust **TUNING** to tune to your desired station.
- 4 Turn the **VOLUME** control to adjust the volume level.
- 5 Adjust **OFF/ ON/ AUTO/ BUZZ** to **OFF** to switch off the radio.

### To improve reception:

- FM:** Extend and position the pigtail fully to obtain optimal reception.
- MW:** uses a built-in antenna inside the set. Direct the antenna by adjusting the position of your set.

## SETTING THE CLOCK TIME

The time is displayed using the 24-hour clock.

- 1 Hold down **SET TIME/ALARM OFF**.
  - 2 Press **TIME SET ▲** or **▼** repeatedly, or hold down **TIME SET ▲** or **▼** to adjust minute and/or hour.
    - **TIME SET ▲** : to adjust time fast forward
    - **TIME SET ▼** : to adjust time back
  - 3 Release **SET TIME/ALARM OFF** and **TIME SET ▲** or **▼** when you reach the correct setting.
- The set clock time will show on the display and start to run.

## USING THE ALARM

This set allows you to set one alarm (alarm 1 or alarm 2), or set two alarms simultaneously. This set also offers you two alarm modes: Auto (radio) and Buzz.

### SETTING THE ALARM TIME

- 1 Hold down **SET ALARM 1** or **SET ALARM 2**
- 2 Press **TIME SET ▲** or **▼** repeatedly, or hold down **TIME SET ▲** or **▼** to adjust minute and/or hour.
- 3 Release **SET ALARM 1** or **SET ALARM 2**, and **TIME SET ▲** or **▼** when you reach the desired time setting. The display will return to the clock time.

### SELECTING THE ALARM MODE

- 1 Adjust **AL1/AL2/AL1+2** to **AL1** (alarm 1), or **AL2** (alarm 2), or **AL1+2** (alarm 1 + alarm 2).
- 2 Select your choice of alarm mode by adjusting **OFF/ ON/ AUTO/ BUZZ** to **AUTO** or **BUZZ**.
  - The corresponding alarm indicator(s) will light up.

#### **Helpful Hint:**

- If you have selected the radio mode, make sure you have adjusted the volume loud enough to wake you.
- The buzzer is set at a fixed volume and cannot be adjusted.

## SWITCHING OFF THE ALARM

There are three ways of switching off the alarm. Unless you cancel the alarm completely, the **24 hour alarm reset option** will be automatically selected after 59 minutes, from the time your alarm time first goes off.

### 24 HOUR ALARM RESET

If you want the alarm mode to be stopped immediately but also wish to retain the same alarm setting for the following day:

- Press **SET TIME/ALARM OFF** during the alarm call.

### CANCELING THE ALARM COMPLETELY

To cancel the set alarm time before it goes off, or during the alarm call:

- Adjust **OFF/ON/AUTO/BUZZ** to **OFF** position.

### REPEAT ALARM

This repeats your alarm call at 7-8-minute intervals.

- 1 During the alarm call, press **REPEAT ALARM**.
- 2 Repeat if desired for up to 59 minutes.

## SLEEP

This set has a built-in timer which enables the set to be automatically switched off during radio playback after a set period of time. This allows you to lie back, listen and fall asleep. The maximum sleep time is 59 minutes.

### Setting SLEEP

- 1 Set **OFF/ON/AUTO/BUZZ** to **OFF** position.
- 2 Set your sleep time by pressing on the **SLEEP** button. Keep your finger on the button and the display will begin to count down from 0:59 to 0:00 minute.
  - To cancel sleep, press **SET TIME/ALARM OFF**.
  - To view the remaining sleep time, press **SLEEP**.



## TROUBLESHOOTING

If a fault occurs, first check the points listed below before taking the set for repair. If you are unable to remedy a problem by following these hints, consult your dealer or service center.

**WARNING:** Under no circumstances should you try to repair the set yourself, as this will invalidate the warranty. Do not open the set as there is a risk of electric shock.

### Problem

---

- Possible Cause
- Remedy

### No sound/power

---

- Volume not adjusted
- Adjust the volume

### Occasional crackling sound during FM broadcast

---

- Weak signal
- Adjust the position of the Pigtail

### Continuous crackling/hiss disturbance during MW broadcast

---

- Electrical interference from TV, computer, fluorescent lamp, etc.
- Move set away from other electrical equipment

### The alarm does not function

---

- Alarm time not set and or alarm mode not selected
- Set the alarm time and / select alarm mode
- Volume too low for RADIO
- Adjust the volume
- Radio alarm not adjusted to radio station
- Tune to a radio station

## SAFETY & MAINTENANCE INFORMATION

- Place the set on a hard and flat surface so that the system does not tilt.
- Install the unit near the AC outlet and where the AC power plug can be easily reached.
- The apparatus shall not be exposed to dripping or splashing.
- If you do not intend to use the set for a long time, withdraw the power plug from the wall outlet. In addition to this, it is advisable to remove the battery from the clock radio. This will prevent any danger of leakage and the clock radio will not be damaged.
- Do not expose the set, batteries to humidity, rain, sand or excessive heat caused by heating equipment or direct sunlight..
- Adequate ventilation with a minimum gap of 15cm between the ventilation holes and surrounding surfaces is necessary to prevent heat build-up.
- The ventilation should not be impeded by covering the ventilation openings with items, such as newspapers, table-cloths, curtains, etc..
- No objects filled with liquids, such as vases, shall be placed on the apparatus.
- No naked flame sources, such as lighted candles, should be placed on the apparatus.
- To clean the set, use a soft, slightly dampened chamois leather. Do not use any cleaning agents containing alcohol, ammonia, benzene or abrasives as these may harm the housing.

## ENVIRONMENTAL INFORMATION

All unnecessary packaging material has been omitted. The packaging can be easily separated into three materials: cardboard, polystyrene and plastic.

**Your set consists of materials which can be recycled if disassembled by a specialized company. Please observe the local regulations regarding the disposal of packaging, dead batteries and old equipment.**

## AUSTRALIA - Philips Manufacturers Warranty for Australia only

These warranty conditions are valid for the following consumer electronics products: Colour Televisions, Projection TV, Plasma & LCD TV, Video Cassette Recorders, CD Recorders & Players, DVD Players, DVD Recorders, DVD Recorders with HDD, Audio Systems, Home Theatre systems, Digital Set Top Box & Portable Audio products.

The benefits given to the purchaser by this warranty are in addition to all other rights and remedies which the purchaser has in respect of the product under the Trade Practices Act or other Commonwealth or State Law.

Philips Consumer Electronics warrants its products to the purchaser as follows and subject to the stated conditions.

### **1 Year Free Repair Service - at Philips ASC**

Colour Television, Plasma Television, LCD Television, Projection Television, DVDR/VCR Combo, DVD Recorders with Hard Drive, LCD Projectors, Wireless Audio Systems, Audio Systems, Home Theatre Systems & Digital Set-Top-Box.

### **1 Year Free Replacement – at your Retailer**

Portable Audio, MP3 Infotainment products, Video Cassette recorders, DVD Player, DVDR/VCR Combo Player, DVD Recorder without HDD & Portable DVD/LCD players.

### **Conditions of Repair Warranty**

- All claims for warranty service should be made to your nearest Philips Authorised Service Centre or the Philips Technology Care Centre. Reasonable evidence of date of purchase must be provided.
- This warranty extends only to defects in material or workmanship occurring under normal use of the product when operated in accordance with the instructions.
- If a replacement product is supplied under the repair policy it is warranted for the remainder of the warranty of the original purchased product only.
- Home service is provided only within the normal service area of one of our recommended Authorised Service Centres (ASC). It will be provided for television receivers only with a screen size of 67cms or above (product includes CRT, LCD TV, PTV, and Plasma TV). Televisions with screen size less than 67cms and all other products types are to be taken or sent by the consumer to the workshop of your nearest Authorised Service Centre, at the Consumer's expense.
- This Manufacturers Warranty is limited to 3 months for the above listed Consumer Electronics products if used in commercial applications.
- Philips may, at its discretion choose to replace rather than repair any product covered by this warranty.
- Product accessories are covered by the same warranty period. Please contact the Philips Technology Care Centre for free replacement of faulty accessories.

8. This Manufacturers Warranty is neither transferable nor valid in countries other than Australia.

### **This warranty does not cover:**

- Mileage or travel outside the normal service area covered by selected Authorised Service Centre.
- Service costs arising from failure to correctly adjust the controls of the product or to observe the instructions, or inspections that reveal that the product is in normal working order.
- Product failures caused by misuse, neglect, accidental breakage, transit damage, inexpert repairs or modification by un-authorised persons, external fires, lightning strikes, floods, vermin infestation or liquid spillage.
- Cleaning of video or audio heads.
- Inadequate receiving antennae.
- Replacement of worn or used batteries or other consumables.
- Consumer products used in commercial applications (This warranty is limited to 3 months only).
- Second hand products.

**The conditions contained in this warranty card replace and override the provision of the Philips World-Wide Guarantee for products purchased in Australia and used in Australia.**

Service is provided through more than 100 accredited Authorised Service Centres throughout Australia. For direct contact with the nearest recommended Authorised Service Centre in capital & regional cities/towns

### **Authorised Service Centre Network**

**1300 361 392**

Customer support is provided in Australia by our trained call centre staff. For assistance with product features and specifications, please call

### **Technology Care Centre**

**1300 363 391**

**Please record the following information for your records and keep in a safe place. We recommend retaining your purchase receipt to assist with any warranty claim.**

Model number:.....

Serial number:.....

Date of purchase:.....

Retailer:.....

**Philips Consumer Electronics**  
a division of **Philips Electronics Australia Limited**  
ABN 24 008 445 743,  
Level 1, 65 Epping Road NORTH RYDE NSW 2113.

Warranty valid for all new products purchased after **1<sup>st</sup> January 2007**

## **NEW ZEALAND - Guarantee and Service for New Zealand**

---

Thank-you for purchasing this quality Philips product.

Philips New Zealand Ltd guarantees this product against defective components and faulty workmanship for a period of 12 months. Any defect in materials or workmanship occurring within 12 months from the date of purchase subject to the following conditions will be rectified free of charge by the retailer from whom this product was purchased.

### **Conditions**

1. The product must have been purchased in New Zealand. As proof of purchase, retain the original sales docket indicating the date of purchase.
2. The guarantee applies only to faults caused by defective components, or faulty workmanship on the part of the manufacturer.
3. The guarantee does not cover failures caused by misuse, neglect, normal wear and tear, accidental breakage, use on the incorrect voltage, use contrary to operating instructions, or unauthorised modification to the product or repair by an unauthorised technician.
4. Reasonable evidence (in the form of a sales docket) must be supplied to indicate that the product was purchased no more than 12 months prior to the date of your claim.
5. In the event of a failure, Philips shall be under no liability for any injury, or any loss or damage caused to property or products other than the product under guarantee.

This guarantee does not prejudice your rights under common law and statute, and is in addition to the normal responsibilities of the retailer and Philips.

### **How to claim**

Should your Philips product fail within the guarantee period, please return it to the retailer from whom it was purchased. In most cases the retailer will be able to satisfactorily repair or replace the product.

However, should the retailer not be able to conclude the matter satisfactorily, or if you have other difficulties claiming under this guarantee, please contact

**The Guarantee Controller**  
**Philips New Zealand Ltd.**

✉ **P.O. Box 41.021**

**Auckland**

☎ **(09) 84 94 160**

fax ☎ **(09) 84 97 858**

Meet Philips at the Internet  
<http://www.philips.com>

AJ3540



Printed in China

PDCC - 652