

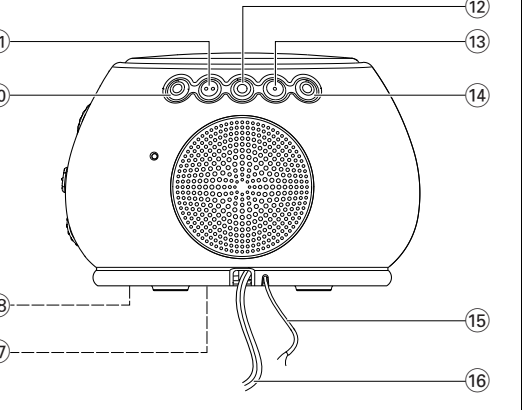
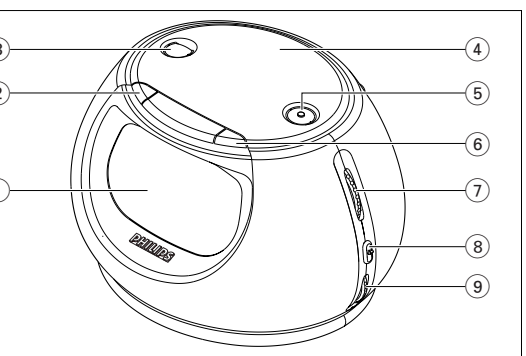


Let's make things better



<b>AJ 3260 - Clock radio</b>
<span></span>
English
Français
Español
Deutsch
Nederlands
Italiano

<div><div><span><span></span></span></div><div><span>Standby power consumption</span></div></div>	<p><span><span></span></span> .....3W</p>
<b>LOCK MEMORY BACKUP</b>	
<div><div><span><span></span></span></div><div><span>The clock memory backup allows your alarm and clock time settings to be stored for up to a day when there is a power interruption e.g. power failure. The complete clock radio and display illumination will be switched off. Only the clock time will be displayed.</span></div></div>	
<div><div><span><span></span></span></div><div><span><b>1</b> Remove the battery door and insert a <b>3 x R6/UM3/AA</b> batteries (not included) for backup.</span></div></div> <div><div><span><span></span></span></div><div><span><b>2</b> Replace the battery door.</span></div></div>	
<div><div><span><span></span></span></div><div><span><b>To view the clock time:</b></span></div></div> <ul style="list-style-type: none"><li>Press the <b>REPEAT ALARM / BRIGHTNESS CONTROL</b> button. <ul style="list-style-type: none"><li>The time display lights up for 10 seconds.</li> <li>As soon as the power supply returns, the display will indicate the correct time.</li></ul></li></ul>	



## Important notes for users in the U.K.

**Mains plug**
This apparatus is fitted with an approved 13 Amp plug. To change a fuse in this type of plug proceed as follows:

- Remove fuse cover and fuse.
- Fix new fuse which should be a BS1362 5 Amp, A.S.T.A. or BSI approved type.
- Refit the fuse cover.

If the fitted plug is not suitable for your socket outlets, it should be cut off and an appropriate plug fitted in its place. If the mains plug contains a fuse, this should have a value of 5 Amp. If a plug without a fuse is used, the fuse at the distribution board should not be greater than 5 Amp.

***Note:** The severed plug must be disposed of to avoid a possible shock hazard should it be inserted into a 13 Amp socket elsewhere.*

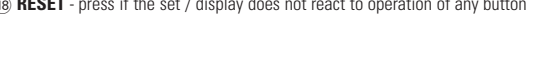
**How to connect a plug**

- The wires in the mains lead are coloured with the following code: blue = neutral (N), brown = live (L). As these colours may not correspond with the colour markings identifying the terminals in your plug, proceed as follows:
  - Connect the blue wire to the terminal marked **N** or coloured black.
  - Connect the brown wire to the terminal marked **L** or coloured red.
  - Do not connect either wire to the earth terminal in the plug, marked **E** (or **⏏**) or coloured green (or green and yellow).
- Before replacing the plug cover, make certain that the cord grip is clamped over the sheath of the lead - not simply over the two wires.

**Copyright in the U.K.**
Recording and playback of material may require consent. See Copyright Act 1956 and The Performer's Protection Acts 1958 to 1972.

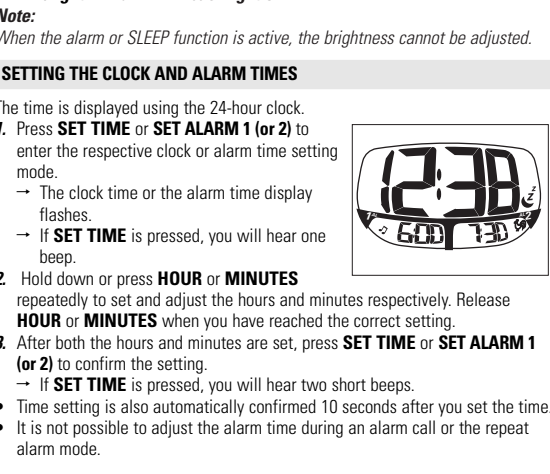
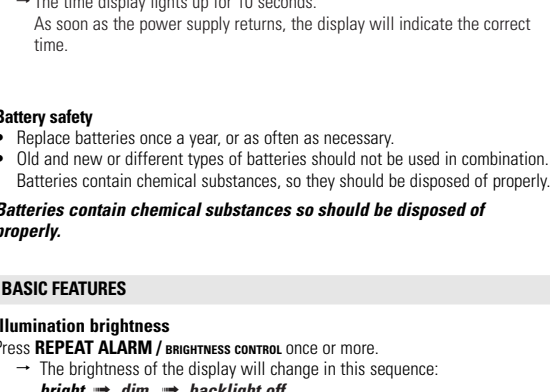
<b>English</b>	<b>Français</b>
<p><b>CONTROLS</b></p> <ol style="list-style-type: none"><li><b>DISPLAY</b> - shows clock and alarms (small display) times and status</li> <li><b>AL 1</b> - selects alarm 1 mode: OFF/ RADIO</li> <li><b>RADIO ON / SLEEP</b> <ul style="list-style-type: none"><li>-activates the radio for sleep function, and to select the sleep time</li> <li>-switches the radio on</li></ul></li> <li><b>REPEAT ALARM / BRIGHTNESS CONTROL</b> <ul style="list-style-type: none"><li>-switches off the alarm for a 8-9 minute period</li> <li>-changes display illumination brightness</li> <li>-stops SLEEP function</li></ul></li> <li><b>RADIO OFF / ALARM RESET</b> <ul style="list-style-type: none"><li>-stops active alarm for 24 hours</li> <li>-stops RADIO / SLEEP function</li></ul></li> <li><b>AL 2</b> - selects alarm 2 mode: OFF/ BUZZER / COCKCROW</li> <li><b>TUNING</b> - tunes to radio stations</li> <li><b>BAND</b> - select FM-AM (MW or LW) waveband</li> <li><b>VOLUME</b> - adjusts the sound level</li> <li><b>MINUTES</b> - adjusts the minutes for clock and alarm times</li> <li><b>SET ALARM 2</b>: sets the alarm 2 time</li> <li><b>SET TIME</b> : sets the clock time</li> <li><b>SET ALARM 1</b>: sets the alarm 1 time</li> <li><b>HOUR</b> : adjusts the hours for the clock and alarm times</li> <li><b>Pigtail</b> - improves FM reception</li> <li><b>Mains lead</b> - connect to your AC mains supply</li> <li><b>Battery door</b> - opens to store a <b>3 x R6/UM3/AA</b> batteries (not included) for clock memory backup</li> <li><b>RESET</b> - press if the set / display does not react to operation of any button</li></ol>	<p><b>SWITCHING OFF THE ALARM</b></p> <p>There are three ways of switching off the alarm. Unless you cancel the alarm completely, the <b>24 hour alarm reset option</b> will be automatically selected after 59 minutes from when the alarm first goes off.</p> <p><b>24 HOUR ALARM RESET</b></p> <p>If you want the alarm mode to be stopped immediately but also wish to retain the same alarm setting for the following day:</p> <ul style="list-style-type: none"><li>Press <b>RADIO OFF / ALARM RESET</b>. <ul style="list-style-type: none"><li>→ You will hear a beep tone confirming 24 hour reset activation. The respective alarm display appears.</li></ul></li></ul> <p><b>REPEAT ALARM</b></p> <p>This repeats your alarm call at 8-9 minute intervals.</p> <ul style="list-style-type: none"><li>During the alarm call, press <b>REPEAT ALARM / BRIGHTNESS CONTROL</b>. <ul style="list-style-type: none"><li>→ The alarm indicator flashes during repeat alarm.</li></ul></li> <li>Repeat if desired.</li></ul> <p><b>CANCELING THE ALARM COMPLETELY</b></p> <ul style="list-style-type: none"><li>During alarm activated or repeat alarm mode, press and hold the <b>AL 1</b> or <b>AL 2</b> button for more than 2 seconds. Alarm will be switched off completely. <ul style="list-style-type: none"><li>→ The selected alarm symbol and set alarm time disappear.</li></ul></li></ul>
<b>MAINS SUPPLY AND DEMO MODE</b>	<b>SLEEP</b>
<p><b>1</b> Check if the mains supply, as shown on the <b>type plate located on the bottom of the set</b>, corresponds to your local mains supply. If it does not, consult your dealer or service centre.</p> <p><b>2</b> Connect the mains plug to the wall socket. The mains supply is now switched on. The start-up display lights up briefly, followed by the <b>PHILIPS demo mode</b></p> <ul style="list-style-type: none"><li>→ <i><b>PH .I.L.I.P.S</b></i> scrolls across the display continuously.</li> <li>Press <b>AL 2</b> button during the demo mode to listen to the cockcrow demo.</li> <li>Press <b>SET TIME</b> or <b>RADIO ON / SLEEP</b> to exit the demo mode, before you set the times or switch on the Radio.</li></ul> <p><b>3</b> To disconnect the set from the mains supply completely, withdraw the mains plug from the wall socket.</p>	<p><b>1</b> Press <b>RADIO ON / SLEEP</b> to switch on the radio.</p> <p><b>2</b> Within 1 second, press <b>RADIO ON / SLEEP</b> again once or more to select your sleep time. <ul style="list-style-type: none"><li>→ The display shows in sequence <b>ON</b>, and the sleep time options: <p><b>SL</b> : <b>60</b>. <b>SL</b> : <b>30</b>. <b>SL</b> : <b>15</b> and <b>OFF</b>.</p></li></ul></p> <p><b>3</b> To cancel sleep, press either: <ul style="list-style-type: none"><li>–<b>RADIO OFF / ALARM RESET</b>.</li> <li>–<b>REPEAT ALARM / BRIGHTNESS CONTROL</b>.</li> <li>–<b>RADIO ON / SLEEP</b> once or more until <span>🔊</span> disappears from the display.</li></ul></p>
<b>For users in the UK: please follow the instructions on the bottom of this sheet.</b>	
<div><div><span><span></span></span></div><div><span>Standby power consumption</span></div></div>	<p><span><span></span></span> .....3W</p>
<b>LOCK MEMORY BACKUP</b>	
<div><div><span><span></span></span></div><div><span>The clock memory backup allows your alarm and clock time settings to be stored for up to a day when there is a power interruption e.g. power failure. The complete clock radio and display illumination will be switched off. Only the clock time will be displayed.</span></div></div>	
<div><div><span><span></span></span></div><div><span><b>1</b> Remove the battery door and insert a <b>3 x R6/UM3/AA</b> batteries (not included) for backup.</span></div></div> <div><div><span><span></span></span></div><div><span><b>2</b> Replace the battery door.</span></div></div>	
<div><div><span><span></span></span></div><div><span><b>To view the clock time:</b></span></div></div> <ul style="list-style-type: none"><li>Press the <b>REPEAT ALARM / BRIGHTNESS CONTROL</b> button. <ul style="list-style-type: none"><li>The time display lights up for 10 seconds.</li> <li>As soon as the power supply returns, the display will indicate the correct time.</li></ul></li></ul>	

Let's make things better



<b>AJ 3260 - Clock radio</b>
<span></span>
English
Français
Español
Deutsch
Nederlands
Italiano

<div><div><span><span></span></span></div><div><span>Standby power consumption</span></div></div>	<p><span><span></span></span> .....3W</p>
<b>LOCK MEMORY BACKUP</b>	
<div><div><span><span></span></span></div><div><span>The clock memory backup allows your alarm and clock time settings to be stored for up to a day when there is a power interruption e.g. power failure. The complete clock radio and display illumination will be switched off. Only the clock time will be displayed.</span></div></div>	
<div><div><span><span></span></span></div><div><span><b>1</b> Remove the battery door and insert a <b>3 x R6/UM3/AA</b> batteries (not included) for backup.</span></div></div> <div><div><span><span></span></span></div><div><span><b>2</b> Replace the battery door.</span></div></div>	
<div><div><span><span></span></span></div><div><span><b>To view the clock time:</b></span></div></div> <ul style="list-style-type: none"><li>Press the <b>REPEAT ALARM / BRIGHTNESS CONTROL</b> button. <ul style="list-style-type: none"><li>The time display lights up for 10 seconds.</li> <li>As soon as the power supply returns, the display will indicate the correct time.</li></ul></li></ul>	



<div><div><span><span></span></span></div><div><span>Standby power consumption</span></div></div>	<p><span><span></span></span> .....3W</p>
<b>LOCK MEMORY BACKUP</b>	
<div><div><span><span></span></span></div><div><span>The clock memory backup allows your alarm and clock time settings to be stored for up to a day when there is a power interruption e.g. power failure. The complete clock radio and display illumination will be switched off. Only the clock time will be displayed.</span></div></div>	
<div><div><span><span></span></span></div><div><span><b>1</b> Remove the battery door and insert a <b>3 x R6/UM3/AA</b> batteries (not included) for backup.</span></div></div> <div><div><span><span></span></span></div><div><span><b>2</b> Replace the battery door.</span></div></div>	
<div><div><span><span></span></span></div><div><span><b>To view the clock time:</b></span></div></div> <ul style="list-style-type: none"><li>Press the <b>REPEAT ALARM / BRIGHTNESS CONTROL</b> button. <ul style="list-style-type: none"><li>The time display lights up for 10 seconds.</li> <li>As soon as the power supply returns, the display will indicate the correct time.</li></ul></li></ul>	

<b>Battery safety</b>	
<ul style="list-style-type: none"><li>Replace batteries once a year, or as often as necessary.</li> <li>Old and new or different types of batteries should not be used in combination. Batteries contain chemical substances, so they should be disposed of properly.</li></ul>	
<b>Batteries contain chemical substances so should be disposed of properly.</b>	
<b>BASIC FEATURES</b>	
<b>Illumination brightness</b>	
Press <b>REPEAT ALARM / BRIGHTNESS CONTROL</b> once or more. <ul style="list-style-type: none"><li>→ The brightness of the display will change in this sequence: <b>bright</b> → <b>dim</b> → <b>backlight off</b></li></ul>	
<i><b>Note:</b></i>	<p><i>When the alarm or SLEEP function is active, the brightness cannot be adjusted.</i></p>
<b>SETTING THE CLOCK AND ALARM TIMES</b>	
The time is displayed using the 24-hour clock.	
<b>1.</b> Press <b>SET TIME</b> or <b>SET ALARM 1 (or 2)</b> to enter the respective clock or alarm time setting mode. <ul style="list-style-type: none"><li>→ The clock time or the alarm time display flashes.</li> <li>→ If <b>SET TIME</b> is pressed, you will hear one beep.</li></ul>	
<b>2.</b> Hold down or press <b>HOUR</b> or <b>MINUTES</b> repeatedly to set and adjust the hours and minutes respectively. Release <b>HOUR</b> or <b>MINUTES</b> when you have reached the correct setting.	
<b>3.</b> After both the hours and minutes are set, press <b>SET TIME</b> or <b>SET ALARM 1 (or 2)</b> to confirm the setting. <ul style="list-style-type: none"><li>→ If <b>SET TIME</b> is pressed, you will hear two short beeps.</li> <li>Time setting is also automatically confirmed 10 seconds after you set the time.</li> <li>It is not possible to adjust the alarm time during an alarm call or the repeat alarm mode.</li></ul>	

<b>RADIO</b>
<ol style="list-style-type: none"><li>Press <b>RADIO ON / SLEEP</b> once to switch on the radio.</li> <li>Select your waveband using the <b>BAND</b> switch.</li> <li>Adjust <b>TUNING</b> to find your radio station.</li> <li>Adjust the sound using <b>VOLUME</b>.</li> <li>Press <b>RADIO OFF / ALARM RESET</b> to switch off.</li></ol>
<b>To improve reception:</b>
For <b>FM</b> , extend and position the pigtail fully to obtain optimum reception.
For <b>AM (MW or LW)</b> , the set is provided with a built-in aerial. Direct the aerial by adjusting the position of your clock radio.

<b>SETTING THE ALARM</b>
<b>GENERAL</b>
If you wish to use the alarm, first set the alarm time before selecting your choice of two alarm modes, radio or buzzer/cockcrow. The alarm display is shown constantly, and the alarm indicator appears if the alarm is set.
<ul style="list-style-type: none"><li>To select the radio alarm, press <b>AL 1</b> button once. The <b>AL 1</b> display and 🔊 appear.</li> <li>→ Make sure you have adjusted the volume loud enough to wake you!</li> <li>To select the buzzer or cockcrow alarm, press <b>AL 2</b> button once or more. The <b>AL 2</b> display and 🔊 or 🐔 appear.</li> <li>Within seconds, your gentle wake alarm : <ul style="list-style-type: none"><li>→ Buzzer option - increases its beep tone frequency.</li> <li>→ Cockcrow option - increases volume.</li></ul></li></ul>

***Note:** The severed plug must be disposed of to avoid a possible shock hazard should it be inserted into a 13 Amp socket elsewhere.*

<b>SWITCHING OFF THE ALARM</b>	<b>BOUTONS DE COMMANDE</b>
<p>There are three ways of switching off the alarm. Unless you cancel the alarm completely, the <b>24 hour alarm reset option</b> will be automatically selected after 59 minutes from when the alarm first goes off.</p> <p><b>24 HOUR ALARM RESET</b></p> <p>If you want the alarm mode to be stopped immediately but also wish to retain the same alarm setting for the following day:</p> <ul style="list-style-type: none"><li>Press <b>RADIO OFF / ALARM RESET</b>. <ul style="list-style-type: none"><li>→ You will hear a beep tone confirming 24 hour reset activation. The respective alarm display appears.</li></ul></li></ul> <p><b>REPEAT ALARM</b></p> <p>This repeats your alarm call at 8-9 minute intervals.</p> <ul style="list-style-type: none"><li>During the alarm call, press <b>REPEAT ALARM / BRIGHTNESS CONTROL</b>. <ul style="list-style-type: none"><li>→ The alarm indicator flashes during repeat alarm.</li></ul></li> <li>Repeat if desired.</li></ul> <p><b>CANCELING THE ALARM COMPLETELY</b></p> <ul style="list-style-type: none"><li>During alarm activated or repeat alarm mode, press and hold the <b>AL 1</b> or <b>AL 2</b> button for more than 2 seconds. Alarm will be switched off completely. <ul style="list-style-type: none"><li>→ The selected alarm symbol and set alarm time disappear.</li></ul></li></ul>	<p><b>1 Affichage</b> - Affichage des heures et statuts de l'horloge et et de l'alarme (petit écran d'affichage)</p> <p><b>2 AL 1</b> - sélection du mode alarme 1: OFF/ RADIO</p> <p><b>3 RADIO ON / SLEEP</b> <ul style="list-style-type: none"><li>-activation du mode de mise en sommeil et réglage du temps avant mise en sommeil</li> <li>-Pour mettre la radio en marche</li></ul></p> <p><b>4 REPEAT ALARM / BRIGHTNESS CONTROL</b> <ul style="list-style-type: none"><li>-désactivation de l'alarme pour une période de 8-9 minutes</li> <li>-modification de la luminosité à l'affichage</li> <li>-désactivation de la fonction SLEEP</li></ul></p> <p><b>5 RADIO OFF / ALARM RESET</b> <ul style="list-style-type: none"><li>-désactivation de l'alarme pendant 24 heures</li> <li>-désactivation de la fonction RADIO / SLEEP</li></ul></p> <p><b>6 AL 2</b> - sélection du mode alarme 2: OFF/ BUZZER / COCKCROW</p> <p><b>7 TUNING</b> - syntonisation de stations radio</p> <p><b>8 BAND</b> - sélection des bandes radio FM-AM (MW ou LW)</p> <p><b>9 VOLUME</b> - ajustement du volume sonore</p> <p><b>10 MINUTES</b> - réglage des minutes de l'horloge et de l'alarme</p> <p><b>11 SET ALARM 2</b>: réglage de l'heure d'activation de l'alarme 2</p> <p><b>12 SET TIME</b> : réglage de l'heure de l'horloge</p> <p><b>13 SET ALARM 1</b>: réglage de l'heure d'activation de l'alarme 1</p> <p><b>14 HOUR</b>: réglage des heures de l'horloge et de l'alarme</p> <p><b>15 Antenne</b> - amélioration de la réception radio FM</p> <p><b>16 Cordon d'alimentation</b> - branchement sur source d'alimentation Courant Alternatif</p> <p><b>17 Trappe du Compartiment à piles</b> - ouvrez et installez <b>3 x piles R6/UM3/AA</b> (non fournies) pour la sauvegarde des réglages de l'horloge en mémoire</p> <p><b>18 RESET</b> - appuyez si l'appareil / l'affichage ne répond pas à l'activation des boutons de commande</p>
<b>MAINTENANCE</b>	<b>ALIMENTATION ET MODE DEMO</b>
<p>If you do not intend to use the set for a long time, withdraw the mains plug from the wall socket. In addition to this, it is advisable to remove the battery from the clock radio. This will prevent any danger of leakage and the clock radio will not be damaged.</p> <ul style="list-style-type: none"><li>Do not expose the set to humidity, rain, sand or excessive heat caused by heating equipment or direct sunlight.</li> <li>To clean the set, use a soft, slightly dampened chamois leather. Do not use any cleaning agents containing alcohol, ammonia, benzene or abrasives as these may harm the housing.</li></ul>	<p><b>1</b> Enlevez la trappe du compartiment à piles et insérez <b>3 piles R6/UM3/AA</b> (non fournies) pour la sauvegarde des réglages de l'horloge en mémoire.</p> <p><b>2</b> Remettez la trappe du compartiment à pile en place.</p>
<b>ENVIRONMENTAL INFORMATION</b>	<b>MEMENTO</b>
We have reduced packaging to the minimum for easy separation into two materials: paper and cardboard.	<p>Consumption de puissance en attente .....3W</p>
<b>ENVIRONMENTAL INFORMATION</b>	
We have reduced packaging to the minimum for easy separation into two materials: paper and cardboard.	
Your set consists of materials which can be recycled if disassembled by a specialized company. <b>Please observe local regulations on the disposal of packing materials and old equipment.</b>	
<b>TROUBLESHOOTING</b>	
If a fault occurs, first check the points listed below before taking the set for repair. If you are unable to remedy a problem by following these hints, consult your dealer or service centre.	
<i><b>WARNING:</b></i> Under no circumstances should you try to repair the set yourself, as this will invalidate the guarantee. Do not open the set as there is a risk of electric shock!	
<b>No sound</b>	
– Volume not adjusted	
– Adjust the volume	
<b>No display backlight / radio and alarm do not function</b>	
– AC mains plug not securely connected	
• Connect plug properly	
<b>Display error/ no reaction to any controls</b>	
– Electrostatic discharge	
• Press the <b>RESET</b> hole on the bottom of the set with a ball-pen. Or disconnect set from power supply for 5 minutes, then re-plug	
<b>Continuous crackling and hiss noise during AM reception</b>	
– Interference from other electrical equipment e.g. TVs, computers, fluorescent lamps	
• Move the clock radio away from electrical equipment	

<b>ENVIRONMENTAL INFORMATION</b>	<b>MEMENTO</b>
We have reduced packaging to the minimum for easy separation into two materials: paper and cardboard.	<p>Consumption de puissance en attente .....3W</p>
<b>ENVIRONMENTAL INFORMATION</b>	
We have reduced packaging to the minimum for easy separation into two materials: paper and cardboard.	
Your set consists of materials which can be recycled if disassembled by a specialized company. <b>Please observe local regulations on the disposal of packing materials and old equipment.</b>	
<b>TROUBLESHOOTING</b>	
If a fault occurs, first check the points listed below before taking the set for repair. If you are unable to remedy a problem by following these hints, consult your dealer or service centre.	
<i><b>WARNING:</b></i> Under no circumstances should you try to repair the set yourself, as this will invalidate the guarantee. Do not open the set as there is a risk of electric shock!	
<b>No sound</b>	
– Volume not adjusted	
– Adjust the volume	
<b>No display backlight / radio and alarm do not function</b>	
– AC mains plug not securely connected	
• Connect plug properly	
<b>Display error/ no reaction to any controls</b>	
– Electrostatic discharge	
• Press the <b>RESET</b> hole on the bottom of the set with a ball-pen. Or disconnect set from power supply for 5 minutes, then re-plug	
<b>Continuous crackling and hiss noise during AM reception</b>	
– Interference from other electrical equipment e.g. TVs, computers, fluorescent lamps	
• Move the clock radio away from electrical equipment	

<b>ENVIRONMENTAL INFORMATION</b>	<b>MEMENTO</b>
We have reduced packaging to the minimum for easy separation into two materials: paper and cardboard.	<p>Consumption de puissance en attente .....3W</p>
<b>ENVIRONMENTAL INFORMATION</b>	
We have reduced packaging to the minimum for easy separation into two materials: paper and cardboard.	
Your set consists of materials which can be recycled if disassembled by a specialized company. <b>Please observe local regulations on the disposal of packing materials and old equipment.</b>	
<b>TROUBLESHOOTING</b>	
If a fault occurs, first check the points listed below before taking the set for repair. If you are unable to remedy a problem by following these hints, consult your dealer or service centre.	
<i><b>WARNING:</b></i> Under no circumstances should you try to repair the set yourself, as this will invalidate the guarantee. Do not open the set as there is a risk of electric shock!	
<b>No sound</b>	
– Volume not adjusted	
– Adjust the volume	
<b>No display backlight / radio and alarm do not function</b>	
– AC mains plug not securely connected	
• Connect plug properly	
<b>Display error/ no reaction to any controls</b>	
– Electrostatic discharge	
• Press the <b>RESET</b> hole on the bottom of the set with a ball-pen. Or disconnect set from power supply for 5 minutes, then re-plug	
<b>Continuous crackling and hiss noise during AM reception</b>	
– Interference from other electrical equipment e.g. TVs, computers, fluorescent lamps	
• Move the clock radio away from electrical equipment	

<b>ENVIRONMENTAL INFORMATION</b>	<b>MEMENTO</b>
We have reduced packaging to the minimum for easy separation into two materials: paper and cardboard.	<p>Consumption de puissance en attente .....3W</p>
<b>ENVIRONMENTAL INFORMATION</b>	
We have reduced packaging to the minimum for easy separation into two materials: paper and cardboard.	
Your set consists of materials which can be recycled if disassembled by a specialized company. <b>Please observe local regulations on the disposal of packing materials and old equipment.</b>	
<b>TROUBLESHOOTING</b>	
If a fault occurs, first check the points listed below before taking the set for repair. If you are unable to remedy a problem by following these hints, consult your dealer or service centre.	
<i><b>WARNING:</b></i> Under no circumstances should you try to repair the set yourself, as this will invalidate the guarantee. Do not open the set as there is a risk of electric shock!	
<b>No sound</b>	
– Volume not adjusted	
– Adjust the volume	
<b>No display backlight / radio and alarm do not function</b>	
– AC mains plug not securely connected	
• Connect plug properly	
<b>Display error/ no reaction to any controls</b>	
– Electrostatic discharge	
• Press the <b>RESET</b> hole on the bottom of the set with a ball-pen. Or disconnect set from power supply for 5 minutes, then re-plug	
<b>Continuous crackling and hiss noise during AM reception</b>	
– Interference from other electrical equipment e.g. TVs, computers, fluorescent lamps	
• Move the clock radio away from electrical equipment	

<b>ENVIRONMENTAL INFORMATION</b>	<b>MEMENTO</b>
We have reduced packaging to the minimum for easy separation into two materials: paper and cardboard.	<p>Consumption de puissance en attente .....3W</p>
<b>ENVIRONMENTAL INFORMATION</b>	
We have reduced packaging to the minimum for easy separation into two materials: paper and cardboard.	
Your set consists of materials which can be recycled if disassembled by a specialized company. <b>Please observe local regulations on the disposal of packing materials and old equipment.</b>	
<b>TROUBLESHOOTING</b>	
If a fault occurs, first check the points listed below before taking the set for repair. If you are unable to remedy a problem by following these hints, consult your dealer or service centre.	
<i><b>WARNING:</b></i> Under no circumstances should you try to repair the set yourself, as this will invalidate the guarantee. Do not open the set as there is a risk of electric shock!	
<b>No sound</b>	
– Volume not adjusted	
– Adjust the volume	
<b>No display backlight / radio and alarm do not function</b>	
– AC mains plug not securely connected	
• Connect plug properly	
<b>Display error/ no reaction to any controls</b>	
– Electrostatic discharge	
• Press the <b>RESET</b> hole on the bottom of the set with a ball-pen. Or disconnect set from power supply for 5 minutes, then re-plug	
<b>Continuous crackling and hiss noise during AM reception</b>	
– Interference from other electrical equipment e.g. TVs, computers, fluorescent lamps	
• Move the clock radio away from electrical equipment	

<b>ENVIRONMENTAL INFORMATION</b>	<b>MEMENTO</b>
We have reduced packaging to the minimum for easy separation into two materials: paper and cardboard.	<p>Consumption de puissance en attente .....3W</p>
<b>ENVIRONMENTAL INFORMATION</b>	
We have reduced packaging to the minimum for easy separation into two materials: paper and cardboard.	
Your set consists of materials which can be recycled if disassembled by a specialized company. <b>Please observe local regulations on the disposal of packing materials and old equipment.</b>	
<b>TROUBLESHOOTING</b>	
If a fault occurs, first check the points listed below before taking the set for repair. If you are unable to remedy a problem by following these hints, consult your dealer or service centre.	
<i><b>WARNING:</b></i> Under no circumstances should you try to repair the set yourself, as this will invalidate the guarantee. Do not open the set as there is a risk of electric shock!	
<b>No sound</b>	
– Volume not adjusted	
– Adjust the volume	
<b>No display backlight / radio and alarm do not function</b>	
– AC mains plug not securely connected	
• Connect plug properly	
<b>Display error/ no reaction to any controls</b>	
– Electrostatic discharge	
• Press the <b>RESET</b> hole on the bottom of the set with a ball-pen. Or disconnect set from power supply for 5 minutes, then re-plug	
<b>Continuous crackling and hiss noise during AM reception</b>	
– Interference from other electrical equipment e.g. TVs, computers, fluorescent lamps	
• Move the clock radio away from electrical equipment	

<b>ENVIRONMENTAL INFORMATION</b>	<b>MEMENTO</b>
We have reduced packaging to the minimum for easy separation into two materials: paper and cardboard.	<p>Consumption de puissance en attente .....3W</p>
<b>ENVIRONMENTAL INFORMATION</b>	
We have reduced packaging to the minimum for easy separation into two materials: paper and cardboard.	
Your set consists of materials which can be recycled if disassembled by a specialized company. <b>Please observe local regulations on the disposal of packing materials and old equipment.</b>	
<b>TROUBLESHOOTING</b>	
If a fault occurs, first check the points listed below before taking the set for repair. If you are unable to remedy a problem by following these hints, consult your dealer or service centre.	
<i><b>WARNING:</b></i> Under no circumstances should you try to repair the set yourself, as this will invalidate the guarantee. Do not open the set as there is a risk of electric shock!	
<b>No sound</b>	
– Volume not adjusted	
– Adjust the volume	
<b>No display backlight / radio and alarm do not function</b>	
– AC mains plug not securely connected	
• Connect plug properly	
<b>Display error/ no reaction to any controls</b>	
– Electrostatic discharge	
• Press the <b>RESET</b> hole on the bottom of the set with a ball-pen. Or disconnect set from power supply for 5 minutes, then re-plug	
<b>Continuous crackling and hiss noise during AM reception</b>	
– Interference from other electrical equipment e.g. TVs, computers, fluorescent lamps	
• Move the clock radio away from electrical equipment	

<b>ENVIRONMENTAL INFORMATION</b>	<b>MEMENTO</b>
We have reduced packaging to the minimum for easy separation into two materials: paper and cardboard.	<p>Consumption de puissance en attente .....3W</p>
<	