

Clock Radio

AI3160



Let's make things better.



PHILIPS

Clock radio

English

Français

Español

Deutsch

Nederlands

Italiano

Svenska

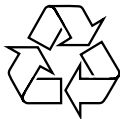
Dansk

Suomi

Português

Polski

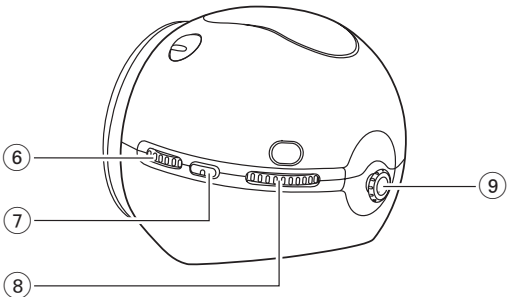
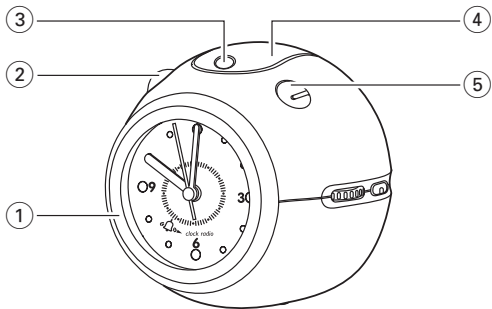
Ἑλληνικά

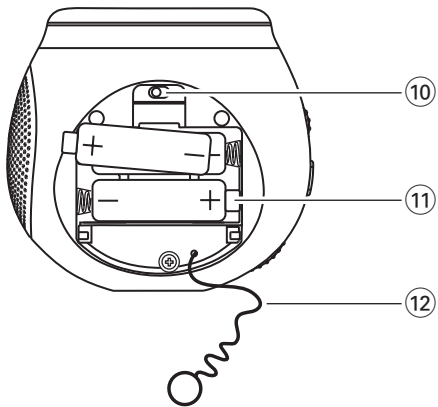


Meet Philips at the Internet
<http://www.philips.com>

Printed in China

PA234





English

FUNCTIONAL OVERVIEW

- ① **ALARM ►** - adjusts alarm time
- ② **RADIO ON/OFF** - switches radio on/off
- ③ **ALARM INDICATOR**
- ④ **REPEAT ALARM - LIGHT**
 - switches off the alarm for a 5 minute period
 - switches display backlight on/off
- ⑤ **ALARM OFF/ON** - switches alarm on/off.
- ⑥ **VOLUME** - adjusts the sound level
- ⑦ **BAND** - select FM-MW (or LW) waveband
- ⑧ **TUNING** - tunes to radio stations
- ⑨ **PULL-TIME SET** - adjusts clock time
- ⑩ **RADIO•ALARM•BUZZ** - selects alarm mode
- ⑪ **Battery compartment**
- ⑫ **Coil antenna** - aerial for FM reception

INSTALLING BATTERIES (not included)

- 1 Open the battery door and insert 3 batteries (preferably alkaline) type R6, UM3 or AA as indicated in the compartment.
 - A : One battery for clock
 - B : Two batteries for radio
- 2 Pull the FM coil antenna out through the slot in the door.
- 3 Close the door.
 - Remove the batteries from the set if they are exhausted or not be used for a long time.

Batteries contain chemical substances, so they should be disposed of properly.

SETTING THE CLOCK

1. Pull out **PULL-TIME SET** and turn it to set the clock. Always push **PULL-TIME SET** back after setting the clock.
2. To read the time in the dark, press **REPEAT ALARM - LIGHT**. The clock lights up as long as **REPEAT ALARM - LIGHT** is pressed.

RADIO OPERATION

- 1 Press **RADIO ON/OFF** to switch on the radio.
- 2 Adjust the **BAND** switch to select your waveband.
- 3 Use **TUNING** to find your radio station.


To improve reception:

For **FM**, extend and position the coil antenna fully to obtain optimum reception.

For **AM (MW or LW)**, the set is provided with a built-in aerial. Direct the aerial by adjusting the position of your clock radio.

- 4 Adjust the sound using **VOLUME**.
- 5 Press **RADIO ON/OFF** to switch off the radio.

USING THE ALARM

- 1 Set the **RADIO•ALARM•BUZZ** switch (at the bottom) to **RADIO** or **BUZZ**.
→ **Important!** If you want the radio alarm to wake you up, **FIRST CHECK** if you have tuned to a station and adjusted the volume loud enough.
- 2 Turn **ALARM ►** ring anti-clockwise to set the alarm time (one click of the dial is 10 minutes.)
- 3 Slide **ALARM OFF/ON** to switch on the alarm.
→ The alarm indicator  is shown on the top

- The radio or buzzer alarm sounds at the preset time. The alarm stops automatically after 50 minutes.
 - Buzz option - increases its beep tone frequency.
- 4 To doze for a few more minutes, press **REPEAT ALARM - LIGHT**. The alarm stops and sounds again after about 5 minutes.
 - 5 To stop the alarm, push **ALARM OFF/ON** to the OFF position.

MAINTENANCE

- Do not expose the set to humidity, rain, sand or excessive heat caused by heating equipment or direct sunlight.
- To clean your set, use a dry cloth or chamois leather. Do not use cleaning products, which contain benzene, thinner, etc. as these may harm the housing.

ENVIROMENTAL INFORMATION

We have reduced the packaging to its minimum using only paper and cardboard. Your set consists of materials which can be recycled if disassembled by a specialized company. **Please observe local regulations on the disposal of packing materials and old equipment.**

TROUBLESHOOTING

If a fault occurs, first check the points listed below before taking the set for repair. If you are unable to remedy a problem by following these hints, consult your dealer or service centre.

WARNING: *Under no circumstances should you try to repair the set yourself, as this will invalidate the guarantee. Do not open the set as there is a risk of electric shock!*

Problem

- Possible
- Remedy

No sound/power

- Volume not adjusted
- Adjust volume
- Batteries exhausted/wrong battery polarity
- Insert fresh batteries/correctly.
- Radio switches off by itself after 80 minutes.
- This is not a problem, but the power-saving mode. Press the **RADIO ON/OFF** button again if you want to continue listening to the radio.

Occasional cracking sound during FM broadcast

- Weak signal
- Extend pigtail fully

Occasional cracking/hiss sound during MW (or LW) broadcast

- Electrical interference from TV, computer, fluorescent lamps, mobile phones, etc.
- Move set away from other electrical equipment.

Alarm does not function

- ALARM OFF/ON not set
- Set ALARM OFF/ON to ON.
- Radio not tuned to a radio station
- Tune to a station.
- Volume too low for radio
- Increase the volume.–
- No batteries for radio/alarm is installed
- Insert all batteries

This product complies with the radio interference requirements of the European Union.

The typeplate and production number are located inside the battery compartment.