

Clock Radio

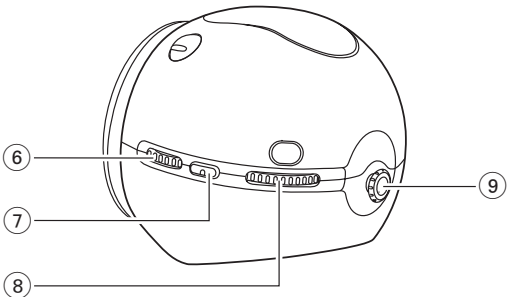
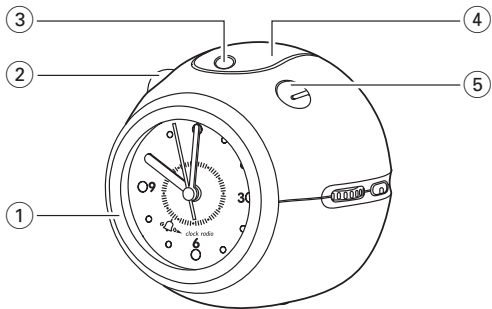
AI3160

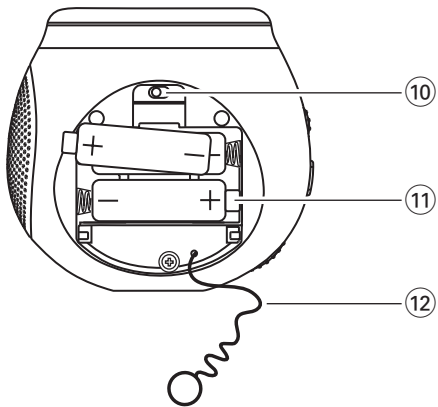


*Let's make things better.*



**PHILIPS**





# English

## FUNCTIONAL OVERVIEW

- ① **ALARM ►** - adjusts alarm time
- ② **RADIO ON/OFF** - switches radio on/off
- ③ **ALARM INDICATOR**
- ④ **REPEAT ALARM - LIGHT**
  - switches off the alarm for a 5 minute period
  - switches display backlight on/off
- ⑤ **ALARM OFF/ON** - switches alarm on/off.
- ⑥ **VOLUME** - adjusts the sound level
- ⑦ **BAND** - select FM-MW (or LW) waveband
- ⑧ **TUNING** - tunes to radio stations
- ⑨ **PULL-TIME SET** - adjusts clock time
- ⑩ **RADIO•ALARM•BUZZ** - selects alarm mode
- ⑪ **Battery compartment**
- ⑫ **Coil antenna** - aerial for FM reception

## INSTALLING BATTERIES (not included)

- 1 Open the battery door and insert 3 batteries (preferably alkaline) type R6, UM3 or AA as indicated in the compartment.
  - A : One battery for clock
  - B : Two batteries for radio
- 2 Pull the FM coil antenna out through the slot in the door.
- 3 Close the door.
  - Remove the batteries from the set if they are exhausted or not be used for a long time.

***Batteries contain chemical substances, so they should be disposed of properly.***

## SETTING THE CLOCK

1. Pull out **PULL-TIME SET** and turn it to set the clock. Always push **PULL-TIME SET** back after setting the clock.
2. To read the time in the dark, press **REPEAT ALARM - LIGHT**. The clock lights up as long as **REPEAT ALARM - LIGHT** is pressed.

## RADIO OPERATION

- 1 Press **RADIO ON/OFF** to switch on the radio.
- 2 Adjust the **BAND** switch to select your waveband.
- 3 Use **TUNING** to find your radio station.


### To improve reception:

For **FM**, extend and position the coil antenna fully to obtain optimum reception.

For **AM (MW or LW)**, the set is provided with a built-in aerial. Direct the aerial by adjusting the position of your clock radio.

- 4 Adjust the sound using **VOLUME**.
- 5 Press **RADIO ON/OFF** to switch off the radio.

## USING THE ALARM

- 1 Set the **RADIO•ALARM•BUZZ** switch (at the bottom) to **RADIO** or **BUZZ**.  
→ **Important!** If you want the radio alarm to wake you up, **FIRST CHECK** if you have tuned to a station and adjusted the volume loud enough.
- 2 Turn **ALARM ►** ring anti-clockwise to set the alarm time (one click of the dial is 10 minutes.)
- 3 Slide **ALARM OFF/ON** to switch on the alarm.  
→ The alarm indicator  is shown on the top

- The radio or buzzer alarm sounds at the preset time. The alarm stops automatically after 50 minutes.
  - Buzz option - increases its beep tone frequency.
- 4 To doze for a few more minutes, press **REPEAT ALARM - LIGHT**. The alarm stops and sounds again after about 5 minutes.
  - 5 To stop the alarm, push **ALARM OFF/ON** to the OFF position.

## MAINTENANCE

- Do not expose the set to humidity, rain, sand or excessive heat caused by heating equipment or direct sunlight.
- To clean your set, use a dry cloth or chamois leather. Do not use cleaning products, which contain benzene, thinner, etc. as these may harm the housing.

## ENVIROMENTAL INFORMATION

We have reduced the packaging to its minimum using only paper and cardboard. Your set consists of materials which can be recycled if disassembled by a specialized company. **Please observe local regulations on the disposal of packing materials and old equipment.**

## TROUBLESHOOTING

If a fault occurs, first check the points listed below before taking the set for repair. If you are unable to remedy a problem by following these hints, consult your dealer or service centre.

**WARNING:** *Under no circumstances should you try to repair the set yourself, as this will invalidate the guarantee. Do not open the set as there is a risk of electric shock!*

### Problem

---

- Possible
- Remedy

## **No sound/power**

---

- Volume not adjusted
- Adjust volume
- Batteries exhausted/wrong battery polarity
- Insert fresh batteries/correctly.
- Radio switches off by itself after 80 minutes.
- This is not a problem, but the power-saving mode. Press the **RADIO ON/OFF** button again if you want to continue listening to the radio.

## **Occasional cracking sound during FM broadcast**

---

- Weak signal
- Extend pigtail fully

## **Occasional cracking/hiss sound during MW (or LW) broadcast**

---

- Electrical interference from TV, computer, fluorescent lamps, mobile phones, etc.
- Move set away from other electrical equipment.

## **Alarm does not function**

---

- ALARM OFF/ON not set
- Set ALARM OFF/ON to ON.
- Radio not tuned to a radio station
- Tune to a station.
- Volume too low for radio
- Increase the volume.–
- No batteries for radio/alarm is installed
- Insert all batteries