

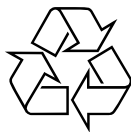
Register your product and get support at [www.philips.com/welcome](http://www.philips.com/welcome)

User manual

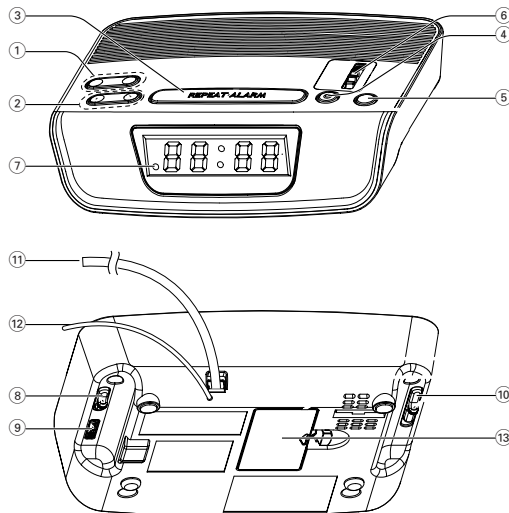


**PHILIPS**

Meet Philips at the Internet  
<http://www.philips.com>



AJ3121



**English**

**Congratulations on your purchase and welcome to Philips!**

**To fully benefit from the support that Philips offers, register your product at [www.philips.com/welcome](http://www.philips.com/welcome).**

**CONTROLS (see fig. 1)**

- ① **SET TIME /ALARM SET**  
- sets the clock time  
- sets the alarm time
- ② **HR / MIN**  
- adjusts the hours / minutes for clock / alarm / sleep time
- ③ **REPEAT ALARM / SLEEP OFF**  
- switches off the active alarm for a 9 minutes period  
- switches off the radio sleep function
- ④ **ALARM RESET**  
- stops the active alarm for 24 hours
- ⑤ **SLEEP**  
- activates the radio for sleep function  
- adjusts the sleep period
- ⑥ **TUNING** - tunes to radio stations
- ⑦ **ALARM** indicator - lights up when alarm is activated.
- ⑧ **FM/MW** - selects FM/MW waveband
- ⑨ **VOLUME** - adjusts the sound level
- ⑩ **RADIO / ALARM OFF**: switches off the radio/alarm  
**RADIO ON**: switches on the radio  
**ALARM - RADIO**: activates the radio for alarm  
**ALARM - BUZZER**: activates the buzzer for alarm
- ⑪ **Power cord** - connects to wall outlet
- ⑫ **Pigtail** - improve FM reception
- ⑬ **Battery door** - opens to store a **9 volts 6F22** battery (not included) for clock memory backup.

**Important notes for users in the U.K.**

**Mains plug**

This apparatus is fitted with an approved 13 Amp plug. To change a fuse in this type of plug proceed as follows:

- 1 Remove fuse cover and fuse.
- 2 Fix new fuse which should be a BS1362 3 Amp, A.S.T.A. or BSI approved type.
- 3 Refit the fuse cover.

If the fitted plug is not suitable for your socket outlets, it should be cut off and an appropriate plug fitted in its place. If the mains plug contains a fuse, this should have a value of 3 Amp. If a plug without a fuse is used, the fuse at the distribution board should not be greater than 5 Amp.

**Note:** The severed plug must be disposed of to avoid a possible shock hazard should it be inserted into a 13 Amp socket elsewhere.

**How to connect a plug**

The wires in the mains lead are coloured with the following code: blue = neutral (N), brown = live (L). As these colours may not correspond with the colour markings identifying the terminals in your plug, proceed as follows:

- Connect the blue wire to the terminal marked N or coloured black.
- Connect the brown wire to the terminal marked L or coloured red.
- Do not connect either wire to the earth terminal in the plug, marked E (or ⚡) or coloured green (or green and yellow).

Before replacing the plug cover, make certain that the cord grip is clamped over the sheath of the lead - not simply over the two wires.

**Copyright in the U.K.**

Recording and playback of material may require consent. See Copyright Act 1956 and The Performer's Protection Acts 1958 to 1972.

**INSTALLATION**

**POWER SUPPLY**

- 1 Check if the power supply, as shown on the **type plate located on the bottom of the set**, corresponds to your local power supply. If it does not, consult your dealer or service center.
- 2 Connect the power cord to the wall outlet.
- 3 **To disconnect the set from the power supply completely, remove the plug from the wall outlet.**

**For users in the U.K.: please follow the instructions on the left**

**CLOCK MEMORY BACKUP**

The clock memory backup allows your alarm and clock time settings to be stored for up to a day when there is a power interruption e.g. power failure. The complete clock radio and display illumination will be switched off. As soon as the power supply returns, the display will indicate the correct time.

- 1 Remove the battery door to insert a **9 volts 6F22** type battery (not included) for backup.
- 2 Replace the battery door.

**NOTE:** If no backup battery is installed or the power interruption is prolonged, you will need to set the clock and alarm times again.

**Batteries contain chemical substances so they should be disposed of properly.**



## RADIO

You can use this set solely as a radio!

- 1 Adjust **RADIO / ALARM** to **RADIO ON** to switch on the radio.
- 2 Select your waveband by adjusting the **FM/MW** switch.
- 3 Adjust **TUNING** to tune to your desired station.
- 4 Turn the **VOLUME** control to adjust the volume level.
- 5 Adjust **RADIO / ALARM** to **OFF** to switch off the radio.

- When sleep function is activated, to switch off the radio, you also need to press **SLEEP OFF** button.

### To improve reception:

- FM:** Extend and position the pigtail fully to obtain optimal reception.  
**MW:** uses a built-in antenna inside the set. Direct the antenna by adjusting the position of your set.

## SETTING THE CLOCK / ALARM TIME

The time is displayed using the 24-hour clock.

- 1 Hold down **SET TIME / ALARM SET**.
- 2 Press **HR** or **MIN** repeatedly, or hold down **HR** or **MIN** to adjust minute and/or hour.
- 3 Release **SET TIME / ALARM SET** and **HR** or **MIN** when you reach the correct setting.  
→ The set clock time will show on the display and start to run.

## SAFETY INFORMATION

- Install the unit near the AC outlet and where the AC power cord plug can be easily reached.
- Where the MAINS plug or an appliance coupler is used as the disconnect device, the disconnect device shall remain readily operable.
- Place the set on a hard and flat surface so that the system does not tilt.
- If you do not intend to use the set for a long time, withdraw the power plug from the wall outlet. In addition to this, it is advisable to remove the battery from the clock radio. This will prevent any danger of leakage and the clock radio will not be damaged.
- Do not expose the set, batteries to humidity, rain, sand or excessive heat caused by heating equipment or direct sunlight.
- The apparatus shall not be exposed to dripping or splashing.
- Adequate ventilation with a minimum gap of 15cm between the ventilation holes and surrounding surfaces is necessary to prevent heat build-up.
- The ventilation should not be impeded by covering the ventilation openings with items, such as newspapers, table-cloths, curtains, etc..
- No objects filled with liquids, such as vases, shall be placed on the apparatus.
- No naked flame sources, such as lighted candles, should be placed on the apparatus.
- To clean the set, use a soft, slightly dampened chamois leather. Do not use any cleaning agents containing alcohol, ammonia, benzene or abrasives as these may harm the housing.

## CAUTION

- **High voltage! Do not open. You run the risk of getting an electric shock. The machine does not contain any user-serviceable parts.**
- **Modification of the product could result in hazardous radiation of EMC or other unsafe operation.**

**This set complies with the radio interference requirements of the European Union.**

## SELECTING THE ALARM MODE

To use the alarm, you must set the alarm time first. You can choose from two different alarm modes to wake you up: by radio or buzzer.

- 1 Select your choice of alarm mode by adjusting **RADIO / ALARM** to **RADIO** or **BUZZER**.  
→ The alarm indicator (AL) will light up.

### Helpful Hint:

- If you have selected the radio mode, make sure you have adjusted the volume loud enough to wake you.
- The buzzer is set at a fixed volume and cannot be adjusted.

## SWITCHING OFF THE ALARM

There are three ways of switching off the alarm. Unless you cancel the alarm completely, the **24 hour alarm reset option** will be automatically selected after 1 hour and 59 minutes, from the time your alarm time first goes off.

### 24 HOUR ALARM RESET

If you want the alarm mode to be stopped immediately but also wish to retain the same alarm setting for the following day:

- Press **ALARM RESET** during the alarm call.  
→ The alarm indicator (AL) will remain on.

### CANCELING THE ALARM COMPLETELY

To cancel the set alarm time before it goes off, or during the alarm call:

- Adjust **RADIO / ALARM** to **OFF** position.  
→ The alarm indicator (AL) will light off.

## TROUBLESHOOTING

If a fault occurs, first check the points listed below before taking the set for repair. If you are unable to remedy a problem by following these hints, consult your dealer or service center.

**WARNING:** Under no circumstances should you try to repair the set yourself, as this will invalidate the warranty. Do not open the set as there is a risk of electric shock.

### Problem

- Possible Cause
- Remedy

### No sound/power

- Volume not adjusted
- Adjust the volume

### Occasional crackling sound during FM broadcast

- Weak signal
- Adjust the position of the Pigtail

### Continuous crackling/hiss disturbance during MW broadcast

- Electrical interference from TV, computer, fluorescent lamp, etc.
- Move set away from other electrical equipment

### The alarm does not function

- Alarm time not set and or alarm mode not selected
- Set the alarm time and / select alarm mode
- Volume too low for RADIO
- Adjust the volume
- Radio alarm not adjusted to radio station
- Tune to a radio station

## REPEAT ALARM

This repeats your alarm call at 9-minute intervals.

- 1 During the alarm call, press **REPEAT ALARM**.
- 2 Repeat if desired for up to 59 minutes.  
→ The alarm indicator (AL) will remain on.

## SLEEP

This set has a built-in timer which enables the set to be automatically switched off during radio playback after a set period of time. This allows you to lie back, listen and fall asleep. The maximum sleep time is 1 hour and 59 minutes.

### Setting SLEEP

- 1 Set **RADIO / ALARM** to **OFF** position.
- 2 Set the sleep time to activate sleep function by selecting on the following ways:
  - Simply press **SLEEP** to set your sleep time to 59 minutes.
  - Hold down **SLEEP**, and press **MIN** repeatedly to adjust sleep time from 59 minutes downward.
  - Hold down **SLEEP** and press **HR** to get one more hour sleep time (1:59)  
→ To cancel sleep, press **SLEEP OFF**.

## ENVIRONMENTAL INFORMATION

We have reduced packaging to the minimum for easy separation into two materials: paper and cardboard.

Your set consists of materials which can be recycled if disassembled by a specialized company. Please observe local regulations on the disposal of packing materials and old equipment.

## Disposal of your old product

Your product is designed and manufactured with high quality materials and components, which can be recycled and reused.



When this crossed-out wheeled bin symbol is attached to a product it means the product is covered by the European Directive 2002/96/EC.

Please inform yourself about the local separate collection system for electrical and electronic products.

Please act according to your local rules and do not dispose of your old products with your normal household waste. The correct disposal of your old product will help prevent potential negative consequences for the environment and human health.

## Specifications

AC Power.....	230V – 240V~ / 50 Hz
Power Consumption	
Active.....	5 W
Standby.....	≤ 1.8 W
Dimensions (w x h x d).....	177 x 48 x 123 (mm)
Weight.....	0.5 kg