

Docking Entertainment System

AJ300D

PHILIPS CONSUMER ELECTRONICS COMPANY

Marietta, GA 30006-0026, U.S.A.

Register your product and get support at
www.philips.com/welcome



Thank you for choosing Philips.

Need help fast?

Read your Quick Start Guide and/or User Manual first for quick tips that make using your Philips product more enjoyable.

If you have read your instructions and still need assistance, you may access our online help at

www.philips.com/welcome
or call

1-888-PHILIPS (744-5477)

while with your product.
(and Model / Serial number)



Philips vous remercie de votre confiance.

Besoin d'une aide rapide?

Le Guide rapide de début et Manuel de l'utilisateur regorgent d'astuces destinées à simplifier l'utilisation de votre produit Philips.

Toutefois, si vous ne parvenez pas à résoudre votre problème, vous pouvez accéder à notre aide en ligne à l'adresse

www.philips.com/welcome
ou formez le

1-800-661-6162 (Francophone)

1-888-PHILIPS (744-5477) (English speaking)

Veillez à avoir votre produit à portée de main.
(et model / serial nombre)



Gracias por escoger Philips

Necesita ayuda inmediata?

Lea primero la Guía rápida del comienzo o el Manual del usuario, en donde encontrará consejos que le ayudarán a disfrutar plenamente de su producto Philips.

Si después de leerlo aún necesita ayuda, consulte nuestro servicio de asistencia en línea en

www.philips.com/welcome
o llame al teléfono

1-888-PHILIPS (744-5477)

y tenga a mano el producto.
(y número de model / serial)



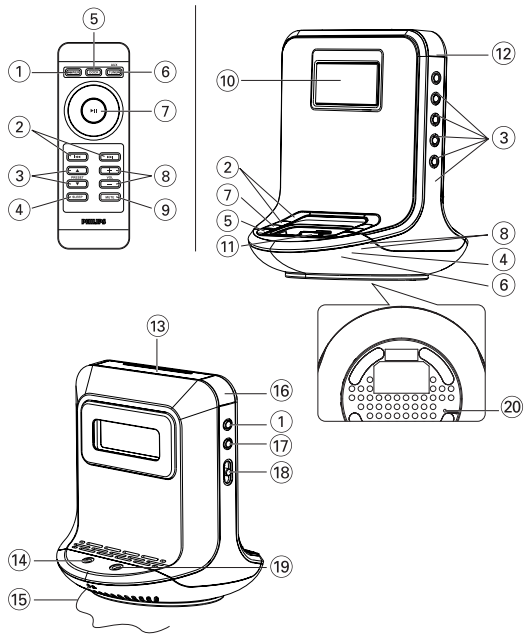
PHILIPS



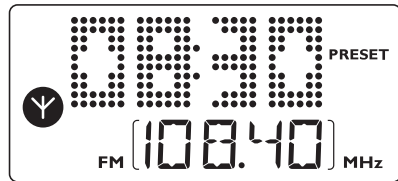
Printed in China

PDCC-JH/ZYL-0824

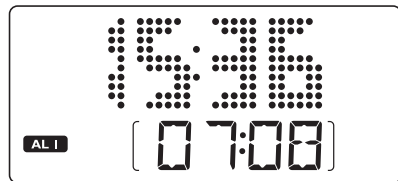
1



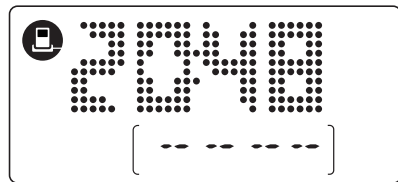
2



3



4



Return your Product Registration Card or register online at
www.philips.com/welcome today to get the very most from your purchase.

Registering your model with PHILIPS makes you eligible for all of the valuable benefits listed below, so don't miss out. Complete and return your Product Registration Card at once, or register online at www.philips.com/welcome to ensure:

*Proof of Purchase

Returning the enclosed card guarantees that your date of purchase will be on file, so no additional paperwork will be required from you to obtain warranty service.

*Product Safety Notification

By registering your product, you'll receive notification - directly from the manufacturer - in the rare case of a product recall or safety defect.

*Additional Benefits

Registering your product guarantees that you'll receive all of the privileges to which you're entitled, including special money-saving offers.

PHILIPS

Congratulations on your purchase, and welcome to the "family!"

Dear PHILIPS product owner:

Thank you for your confidence in PHILIPS. You've selected one of the best-built, best-backed products available today. We'll do everything in our power to keep you happy with your purchase for many years to come. As a member of the PHILIPS "family," you're entitled to protection by one of the most comprehensive warranties and outstanding service networks in the industry. What's more, your purchase guarantees you'll receive all the information and special offers for which you qualify, plus easy access to accessories from our convenient home shopping network.

Most importantly, you can count on our uncompromising commitment to your total satisfaction.

All of this is our way of saying welcome - and thanks for investing in a PHILIPS product.

P.S. To get the most from your PHILIPS purchase, be sure to complete and return your Product Registration Card at once, or register online at:

www.philips.com/welcome

Know these

safety symbols



This "bolt of lightning" indicates uninsulated material within your unit may cause an electrical shock. For the safety of everyone in your household, please do not remove product covering.

The "exclamation point" calls attention to features for which you should read the enclosed literature closely to prevent operating and maintenance problems.

WARNING: To reduce the risk of fire or electric shock, this apparatus should not be exposed to rain or moisture and objects filled with liquids, such as vases, should not be placed on this apparatus.

CAUTION: To prevent electric shock, match wide blade of plug to wide slot, fully insert.

ATTENTION: Pour éviter les choc électriques, introduire la lame la plus large de la fiche dans la borne correspondante de la prise et pousser jusqu'au fond.

For Customer Use

Enter below the Serial No. which is located on the rear of the cabinet. Retain this information for future reference.

Model No. _____
Serial No. _____

IMPORTANT SAFETY INSTRUCTIONS

1. Read these instructions.
2. Keep these instructions.
3. Heed all warnings.
4. Follow all instructions.
5. Do not use this apparatus near water.
6. Clean only with dry cloth.
7. Do not block any ventilation openings. Install in accordance with the manufacturer's instructions.
8. Do not install near any heat sources such as radiators, heat registers, stoves, or other apparatus (including amplifiers) that produce heat.
9. Do not defeat the safety purpose of the polarized or grounding-type plug. A polarized plug has two blades with one wider than the other. A grounding-type plug has two blades and a third grounding prong. The wide blade or the third prong are provided for your safety. If the provided plug does not fit into your outlet, consult an electrician for replacement of the obsolete outlet.
10. Protect the power cord from being walked on or pinched, particularly at plugs, convenience receptacles, and the point where they exit from the apparatus.
11. Only use attachments/accessories specified by the manufacturer.
12. Use only with the cart, stand tripod, bracket, or table specified by the manufacturer or sold with the apparatus. When a cart is used, use caution when moving the cart /apparatus combination to avoid injury from tip-over.
13. Unplug this apparatus during lightning storms or when unused for long periods of time.
14. Refer all servicing to qualified service personnel. Servicing is required when the apparatus has been damaged in any way, such as power-supply cord or plug is damaged, liquid has been spilled or objects have fallen into the apparatus, the apparatus has been exposed to rain or moisture, does not operate normally, or has been dropped.
15. Where the MAINS plug or an appliance coupler is used as the disconnect device, the disconnect device shall remain readily operable.
16. Battery usage CAUTION - To prevent battery leakage which may result in bodily injury, property damage, or damage to the unit:
Install all batteries correctly, + and - as marked on the unit.
Do not mix batteries (old and new or carbon and alkaline, etc.).
Remove batteries when the unit is not used for a long time.
17. Apparatus shall not be exposed to dripping or splashing.
18. Do not place any sources of danger on the apparatus (e.g. liquid filled objects, lighted candles).
19. This product may contain lead and mercury. Disposal of these materials may be regulated due to environment considerations.
For disposal or recycling information, please contact your local authorities or the Electronic Industries Alliance: www.eiae.org.



AC Polarized Plug



Use only with the cart, stand tripod, bracket, or table specified by the manufacturer or sold with the apparatus. When a cart is used, use caution when moving the cart /apparatus combination to avoid injury from tip-over.

EL 6475-S004: 03/12

Class II equipment symbol



This symbol indicates that the unit has a double insulation system

PHILIPS

Visit our World Wide Web Site at <http://www.philips.com/welcome>

English

Congratulations on your purchase and welcome to Philips!
To fully benefit from the support that Philips offers, register your product at www.philips.com/welcome.

SUPPLIED ACCESSORIES

- 1 X certified AC/DC 18V adapter
(Input: 100-240V ~ 50/60Hz 800mA, Output: 18V --- 1.6A)
- Docking kit
 - 1 X Apple iPod dock; 1 X Philips GoGear jukebox dock;
 - dock adapters (4 adapters for different iPod types, and 4 adapters for different Philips GoGear types)
- 1 X AUX-IN cable

CONTROLS (See)

① POWER

- switches the system on or to standby mode
- stops active alarm for 24 hours
- deactivates the sleep function

②

- adjust clock/alarm time
- selects previous/next tracks in the dock mode
- fast searches forward/backward in the dock mode (only available to iPod)

③ PRESET 1-5

- stores, recalls and shows radio station

④ SLEEP

- activates the sleep function
- deactivates the sleep function

⑤ DOCK

- selects dock mode

⑥ TUNER/ AUX

- selects radio mode (FM only)
- selects AUX mode

⑦

- starts/pauses playback in the dock mode

⑧ VOL+/-

- adjusts the sound level

⑨ MUTE

- switches playback sound off and on.

⑩ DISPLAY

- shows clock/alarm times and status of the set

⑪ Dock connector (30 pins)

- connects iPod/Philips GoGear player

⑫ ALM 2

- activates/confirm alarm 2 time setting
- displays alarm 2 time
- switches off alarm 2 time

⑬ REPEAT ALARM / BRIGHTNESS CONTROL

- switches off the alarm for a 9 minute period
- changes the brightness of the display illumination

⑭ POWER jack

- socket for AC/DC 18V adapter

⑮ Pigtail – improves FM reception

⑯ ALM 1

- activates/confirm alarm 1 time setting
- displays alarm 1 time
- switches off alarm 1 time

⑰ TIME SET

- activates/confirm clock time/date setting

⑱ (Wake-up mode) DOCK • BUZZER • RADIO

- selects alarm mode: dock, buzzer or radio

⑲ AUX IN jack (3.5 mm)

- connects to external audio source

⑳ RESET

- press if the set / display does not react to operation of any button

POWER SUPPLY

Mains adapter

1 Connect the mains adapter to the set's **DC 18V** socket and to the power socket.

Helpful hints: To avoid damage to the set, use only the adapter supplied!

The type plate is located on the bottom of the set.

Remote control

Important!

- Before using the remote control, remove the insulation plastic tab as shown in the figure.
- If the remote control does not function correctly or the operating range is reduced, replace the battery with a new (CR2025) type battery.

1. Pull the battery tray out as shown in the figure.
2. Replace a new battery according to polarity indication, and fully insert the battery tray back to the original position.



- Batteries contain chemical substances, so they should be disposed of properly.

- Perchlorate Material-special handling may apply. See www.dtsc.ca.gov/hazardouswaste/perchlorate.

CAUTION

High voltage! Do not open. You run the risk of getting an electric shock. The machine does not contain any user-serviceable parts. Modification of the product could result in hazardous radiation of EMC or other unsafe operation.

SELF-POWERED BACK-UP

The self-powered back-up conveniently allows your preset stations, alarm and clock time settings to be stored for **up to 10 minutes** when there is a power interruption e.g. AC power failure. The complete clock radio and backlight illumination will be switched off.

If power supply returns after 10 minutes and the display shows:

- clock time blinking - indicates you need to re-adjust the clock time.

BASIC OPERATION.

Switching on the system

- Press **POWER**.
→ The system will switch to the last selected source.
- Press **TUNER/AUX** or **DOCK**.
→ The system will switch to the selected source.

Switching the system to standby mode

- In any source mode, press **POWER**.

Switching off the volume temporarily

Press **MUTE** on the remote control to stop sound play-back instantly.

→ Playback will continue without sound and the display shows **MUTE**.

- To start sound playback you can:
 - press **MUTE** again;
 - adjust the volume controls;
 - change source.

Illumination brightness

Press **REPEAT ALARM** / **BRIGHTNESS CONTROL** once or more.

- The brightness of the display can be adjusted:

Bright → **Low** → **Off** → **Bright**.

SETTING THE CLOCK AND DATE

1. In any mode, press and hold **TIME SET** until clock digits flashes.
2. Press **▶▶** to select 12 Hours/ 24 Hours mode.
3. Hold down or press **◀◀** / **▶▶** repeatedly to set and adjust the hours.
4. Press **TIME SET** to confirm.
→ The clock digits for the minutes flash.

- Repeat the **steps 3 - 4** until you complete all the other settings for minutes, year, month and days.

TUNER

- Press **TUNER/AUX** once to switch on the radio (FM only).
→ Display shows the radio frequency of the last selected waveband. Your preset station is also shown if you are listening to a preset. (See [2])
- Adjust the sound using **VOL+/-**.
- To select preset stations, press the respective **PRESET** button (1-5) once or repeatedly.

TUNING TO RADIO STATIONS

- Press and hold **◀◀ / ▶▶** until the frequency in the display starts changing.
→ Display shows "Scrñ" during automatic tuning.
→ After the system tunes to a station of sufficient reception, display shows its frequency.
 - To tune to a weak station, press **◀◀ / ▶▶** briefly and repeatedly until an optimal reception is found.

To improve reception (FM):

Extend and position the pigtail fully to obtain optimum reception.

STORING AND USING PRESET STATIONS

You can store up to 5 FM radio stations in the memory.

- Tune to your desired station (see TUNING TO RADIO STATIONS).
- To store a preset, hold down briefly on a **PRESET** button 1-5 until you hear a double beep.
→ Display shows the preset number of your station.
- Repeat steps 1 and 2 to store your other stations.
 - You can overwrite a preset station by storing another frequency in its place.
- Press a **PRESET** button 1-5 (or **PRESET ▼ / ▲** on the remote control) to listen to a preset station.

USING THE ALARM

GENERAL

Two different alarm times can be set. This can be useful when you need to be woken up at a different time e.g. during the week and at the weekend, and you can set different wake-up modes:

- tuner mode.

- buzzer mode. The gentle wake buzzer alarm increases its beep tone frequency within seconds.
- dock mode (only available to iPod player)

SETTING THE ALARM TIME (See [3])

- In any mode, press and hold **ALM1** or **ALM2** for two seconds.
→ **ALM1 / ALM2** icon and the hour digits flash. And the icon for the current alarm mode also flashes.
- Hold down or press **◀◀ / ▶▶** repeatedly to set and adjust the hours.
- Press **ALM1** or **ALM2** to confirm.
→ **ALM1 / ALM2** icon and the minutes digits flash. And the icon for the current alarm mode also flashes.
- Hold down or press **◀◀ / ▶▶** repeatedly to set and adjust the minutes.
- Press **ALM1** or **ALM2** to confirm.

SETTING THE ALARM MODE

- Press **POWER** to switch to standby mode.
- Select your choice of alarm mode: either docked player (only available to iPod), buzzer, or radio by using the **DOCK•BUZZER•RADIO** slider.
 - At the set alarm time, the docked player (only available to iPod) or radio or buzzer will switch on automatically.

Helpful hints:

- If you have selected **RADIO** alarm mode, make sure you have properly tuned to a station before turning off the set.
- If you have selected **DOCK** alarm mode (only available to iPod), make sure you have docked the compatible player, or the buzzer mode will be selected automatically.
- To check the alarm time setting for **ALM1** or **ALM2**, press **ALM1** or **ALM2**.

SWITCHING OFF THE ALARM

There are three ways of switching off the alarm. Unless you cancel the alarm completely, the **24-hour ALARM RESET** will be automatically selected after 59 minutes from the time your alarm first goes off.

24 HOUR ALARM RESET

If you want the alarm mode to be stopped immediately but also wish to retain the same alarm setting for the following day:

- Press **POWER**.

REPEAT ALARM

This repeats your alarm call at 9 minute intervals.

- During the alarm call, press **REPEAT ALARM / BRIGHTNESS CONTROL**.
→ Display shows **ALM1** or **ALM2** flashing during a repeat alarm.
- Repeat if desired (up to a maximum of 6 times).

CANCELING THE ALARM COMPLETELY

- Press **ALM 1** or **ALM 2** button once or more until **ALM1** or **ALM2** disappears.

DOCK (See 4)

By connecting the iPod/Philips GoGear to your AJ300D, you can listen to the sound of the docked player through the powerful speakers of the Hi-Fi system.

Important!



- **AJ300D comes with two dock types. Use the designated dock type, as indicated on the top panel of the dock supplied, to work with either Apple iPod or Philips GoGear.**

COMPATIBLE PORTABLE PLAYER

- Apple iPod models with 30-pin dock connector as follows:
Nano 1st /2nd/3rd generation, iPod 5th generation (video), iPod touch and iPod classic.
- Philips GoGear players with dock connectors as follows:
 - HDD1420, HDD1620, HDD1630, HDD1635;
 - HDD1820, HDD1830, HDD1835;
 - HDD1840, 1850;
 - HDD6320, HDD6330
 - SA9100, SA9200

CHANGING THE DOCK

Set from the factory manufacture, the supplied Apple iPod dock is already fixed to the AJ300D. To change the dock for Philips or iPod, do the following:

- 1 Push the dock switch located near the dock connector to .
- 2 Take the dock out.
- 3 Correctly place the suitable dock in. Then firmly hold down the dock, and simultaneously push the dock switch back to  position.

DOCK ADAPTERS

Before plugging your player in the dock, snap the suitable dock adaptor into the dock to provide a snug fit for the player to be docked.

Selecting the correct dock adaptor

- 4 iPod dock adaptors are included. Each adaptor has indication to match different iPod types.

- For the Philips GoGear dock, 4 dock adaptors of different type are included. Each adaptor is marked a number from "1" to "4" at its back. These numbers indicate the fit Philips GoGear players as follows:
"1" = HDD6320/6330
"2" = HDD1420/1620/1630/1635/1820/1830/1835
"3" = HDD1840/1850
"4" = SA9100/SA9200

PLAYING iPod/PHILIPS GoGear USING AJ300D

- 1 Snap the compatible iPod/GoGear into the dock connector.
- 2 Press DOCK to switch on the dock mode.
 - Make sure that you have powered on Philips GoGear before selecting DOCK source.
→ On the AJ300D's display, "GoGear" is displayed when GoGear player is connected, or "iPod" is displayed when iPod is connected.
- 3 For iPod, the connected player will play automatically.
 - For Philips GoGear, press **▶▶** to start playback.

Notes:

- *By using the buttons (▶▶, ◀◀, ▶▶▶ and VOLUME) on the AJ300D and its remote control, the following disc playback features are available: Play/Pause, selecting next/previous track, fast forwarding/rewinding (only available to Apple iPod) and changing volume.*
- *The buttons (▶▶, ◀◀, ▶▶▶ and VOLUME) on the AJ300D and its remote control can work only with playback of the audio contents stored on the docked player.*

SLEEP

This set has a built-in sleep timer, which enables the radio to be automatically switched off after a set period of time. There are four sleep time options.

Setting and switching off SLEEP

- 1 Set your timer by pressing **SLEEP** repeatedly until the desired timer option appears.
→ Selections are follows (time in minute):
120 → 90 → 60 → 30 → 15 → OFF → 120
- 2 The set will turn off automatically at the selected time.
- 3 To cancel sleep, press either:
 - **POWER**
 - **SLEEP** once or more until **SLEEP** disappears from the display.

Reset

Should your set receive external interference e.g. static electricity from carpets, thunderstorms, etc. RESET allows you to clear all previous settings and start up again.

- Use a ballpoint pen to press the RESET hole found on the bottom of the set.

CONNECTING AN EXTERNAL DEVICE

You can listen to the sound of the connected external device through your AJ300D's speakers.

- 1 Press **TUNER/AUX** twice to select AUX mode.
- 2 Use the supplied AUX-IN cable to connect AJ300D's **AUX IN** jack to an AUDIO OUT or headphone jack on an external equipment (such as CD player, or VCR).

MAINTENANCE & SAFETY

- Install the unit near the AC outlet and where the AC power plug can be easily reached.
- The apparatus shall not be exposed to dripping or splashing.
- Do not expose the set to humidity, rain, sand or excessive heat caused by heating equipment or direct sunlight.
- To clean your set, use a soft damp cloth or chamois leather. Do not use cleaning products, which contain benzene, thinner, etc. as these may harm the housing.
- Where the MAINS plug or an appliance coupler is used as the disconnect device, the disconnet device shall remain readily operable.
- Batteries (battery pack or batteries installed) shall not be exposed to excessive heat such as sunshine, fire or the like.

SPECIFICATIONS

Power Consumption	24 W
Output power	2 x 6 W RMS
Dimensions (w x h x d)	161 x 191 x 164 (mm)
Weight.....	1.34 kg

TROUBLESHOOTING

If a fault occurs, first check the points listed below before taking the set for repair. If you are unable to remedy a problem by following these hints, consult your dealer or service centre.

WARNING: *Under no circumstances should you try to repair the set yourself, as this will invalidate the guarantee. Do not open the set as there is a risk of electric shock!*

No sound

- Volume not adjusted
- Adjust the volume
- The set is muted.
- Press "MUTE" on the remote control to active playback sound.

Display error / no reaction to any controls

- Electrical malfunction
- Press the **RESET** hole on the bottom of the set with a ball-pen.

Intermittent crackling sound during FM reception

- Weak signal
- Extend and position the pigtail aerial

The alarm does not function

- Alarm time/ mode not set
- See **SETTING THE ALARM** (Dock mode is only available to iPod.)
- Volume too low for radio
- Increase the volume

Dock operation

- The menu navigation or photo playback of the docked player cannot be carried out through the buttons on AJ300D or its remote control.
- The buttons on AJ300D and its remote control can control playback of audio contents only. To navigate the menu, use the controls on the docked player.
- Some buttons on AJ300D and its remote control have no function.
- The buttons (**▶||**, **◀◀**, **▶▶** and **VOLUME**) function only. For Philips GoGear, fast forwarding/rewinding is not available.

ENVIROMENTAL INFORMATION

All unnecessary packaging material has been omitted. The packaging can be easily separated into three materials: cardboard, polystyrene and plastic.

Your set consists of materials which can be recycled if disassembled by a specialized company. Please observe the local regulations regarding the disposal of packaging, dead batteries and old equipment.

This product complies with the FCC-Rules, Part 15 and with 21 CFR 1040.10. Operation is subject to the following two conditions:

- 1. This device may not cause harmful interference, and***
- 2. this device must accept any interference received, including interference that may cause undesired operation.***

Canada

English:

This digital apparatus does not exceed the Class B limits for radio noise emissions from digital apparatus as set out in the Radio Interference Regulations of the Canadian Department of Communications. This Class B digital apparatus complies with Canadian ICES-003.

Français :

Cet appareil numérique n'émet pas de bruits radioélectriques dépassant les limites applicables aux appareils numériques de Classe B prescrites dans le Règlement sur le Brouillage Radioélectrique édicté par le Ministère des Communications du Canada. Cet appareil numérique de la classe B est conforme à la norme NMB-003 du Canada.

PHILIPS LIMITED WARRANTY ONE (1) YEAR

WARRANTY COVERAGE:

PHILIPS warranty obligation is limited to the terms set forth below.

WHO IS COVERED:

Philips warrants the product to the original purchaser or the person receiving the product as a gift against defects in materials and workmanship as based on the date of original purchase ("Warranty Period") from an Authorized Dealer. The original sales receipt showing the product name and the purchase date from an authorized retailer is considered such proof.

WHAT IS COVERED:

The Philips warranty covers new products if a defect in material or workmanship occurs and a valid claim is received by Philips within the Warranty Period. As its option, Philips will either (1) repair the product at no charge, using new or refurbished replacement parts, or (2) exchange the product with a product that is new or which has been manufactured from new, or serviceable used parts and is at least functionally equivalent or most comparable to the original product in Philips current inventory, or (3) refund the original purchase price of the product.

Philips warrants replacement products or parts provided under this warranty against defects in materials and workmanship from the date of the replacement or repair for ninety (90) days or for the remaining portion of the original product's warranty, whichever provides longer coverage for you. When a product or part is exchanged, any replacement item becomes your property and the replaced item becomes Philips' property. When a refund is given, your product becomes Philips' property.

Note: Any product sold and identified as refurbished or renewed carries a ninety (90) day limited warranty.

Replacement product can only be sent if all warranty requirements are met. Failure to follow all requirements can result in delay.

WHAT IS NOT COVERED - EXCLUSIONS AND LIMITATIONS:

This Limited Warranty applies only to the new products manufactured by or for Philips that can be identified by the trademark, trade name, or logo affixed to it. This Limited Warranty does not apply to any non-Philips hardware product or any software, even if packaged or sold with the product. Non-Philips manufacturers, suppliers, or publishers may provide a separate warranty for their own products packaged with the bundled product.

Philips is not liable for any damage to or loss of any programs, data, or other information stored on any media contained within the product, or any non-Philips product or part not covered by this warranty. Recovery or reinstallation of programs, data or other information is not covered under this Limited Warranty.

This warranty does not apply (a) to damage caused by accident, abuse, misuse, neglect, misapplication, or non-Philips product, (b) to damage caused by service performed by anyone other than Philips or Philips Authorized Service Location, (c) to a product or a part that has been modified without the written permission of

Philips, or (d) if any Philips serial number has been removed or defaced, or (e) product, accessories or consumables sold "AS IS" without warranty of any kind by including refurbished Philips product sold "AS IS" by some retailers.

This Limited Warranty does not cover:

- Shipping charges to return defective product to Philips.
- Labor charges for installation or setup of the product, adjustment of customer controls on the product, and installation or repair of antenna/signal source systems outside of the product.
- Battery repair and/or part replacement because of improper installation or maintenance, connections to improper voltage supply, power line surge, lightning damage, retained images or screen markings resulting from viewing fixed stationary content for extended periods, product cosmetic appearance items due to normal wear and tear, unauthorized repair or other cause not within the control of Philips.
- Damage or claims for products not being available for use, or for lost data or lost software.
- Damage from mishandled shipments or transit accidents when returning product to Philips.
- A product that requires modification or adaptation to enable it to operate in any country other than the country for which it was designed, manufactured, approved and/or authorized, or repair of products damaged by these modifications.
- A product used for commercial or institutional purposes (including but not limited to rental purposes).
- Product lost in shipment and no signature verification receipt can be provided.
- Failure to operate per Owner's Manual.

TO OBTAIN ASSISTANCE IN THE U.S.A., PUERTO RICO, OR U.S. VIRGIN ISLANDS...

Contact Philips Customer Care Center at:
1-888-PHILIPS (1-888-744-5477)

TO OBTAIN ASSISTANCE IN CANADA...

1-800-661-6162 (French Speaking)
1-888-PHILIPS (1-888-744-5477) - (English or Spanish Speaking)

REPAIR OR REPLACEMENT AS PROVIDED UNDER THIS WARRANTY IS THE EXCLUSIVE REMEDY FOR THE CONSUMER. PHILIPS SHALL NOT BE LIABLE FOR ANY INCIDENTAL OR CONSEQUENTIAL DAMAGES FOR BREACH OF ANY EXPRESS OR IMPLIED WARRANTY ON THIS PRODUCT. EXCEPT TO THE EXTENT PROHIBITED BY APPLICABLE LAW, ANY IMPLIED WARRANTY OF MERCHANTABILITY OR FITNESS FOR A PARTICULAR PURPOSE ON THIS PRODUCT IS LIMITED IN DURATION TO THE DURATION OF THIS WARRANTY.

Some states do not allow the exclusions or limitation of incidental or consequential damages, or allow limitations on how long an implied warranty lasts, so the above limitations or exclusions may not apply to you.

This warranty gives you specific legal rights. You may have other rights which vary from state/province to state/province.