

Register your product and get support at
www.philips.com/welcome

AE5430



EN User manual

PHILIPS

Concents

1	Important	4
	Hearing Safety	4

2	Your FM/DAB+ radio	5
	Introduction	5
	What's in the box	5
	Overview of the main unit	6

3	Get started	7
	Prepare FM/DAB+ antenna	7
	Connect power	7
	Option 2: Battery power	8
	Turn on	8
	Adjust volume	8
	Listen through the headphone	8

4	Listen to radio	9
	Listen to DAB+ radio	9
	Listen to FM radio	10
	Use system menu in FM/DAB+ mode	11

5	Product information	12
	Amplifier	12
	Tuner	12
	General information	13

6	Troubleshooting	13
----------	------------------------	----

7	Notice	14
	Recycling	14

1 Important

- Read these instructions.
- Heed all warnings.
- Follow all instructions.
- Do not block any ventilation openings. Install in accordance with the manufacturer's instructions.
- Do not install near any heat sources such as radiators, heat registers, stoves, or other apparatus (including amplifiers) that produce heat.
- Protect the power cord from being walked on or pinched, particularly at plugs, convenience receptacles, and the point where they exit from the clock radio.
- Only use attachments/accessories specified by the manufacturer.
- Unplug this clock radio during lightning storms or when unused for long periods of time.
- Refer all servicing to qualified service personnel. Servicing is required when the clock radio has been damaged in any way, such as power-supply cord or plug is damaged, liquid has been spilled or objects have fallen into the clock radio, the clock radio has been exposed to rain or moisture, does not operate normally, or has been dropped.
- This clock radio shall not be exposed to dripping or splashing.
- Do not place any sources of danger on the clock radio (e.g. liquid filled objects, lighted candles).
- Where the plug of the Direct Plug-in Adapter is used as the disconnect device, the disconnect device shall remain readily operable.

Hearing Safety

Danger

- To avoid hearing damage, limit the time you use the headphones at high volume and set the volume to a safe level. The louder the volume, the shorter is the safe listening time.

Be sure to observe the following guidelines when using your headphones.

- Listen at reasonable volumes for reasonable periods of time.
- Be careful not to adjust the volume continuously upwards as your hearing adapts.
- Do not turn up the volume so high that you can't hear what's around you.
- You should use caution or temporarily discontinue use in potentially hazardous situations.
- Excessive sound pressure from earphones and headphones can cause hearing loss.

2 Your FM/DAB+ radio

Congratulations on your purchase, and welcome to Philips! To fully benefit from the support that Philips offers, register your product at www.philips.com/welcome.

Introduction

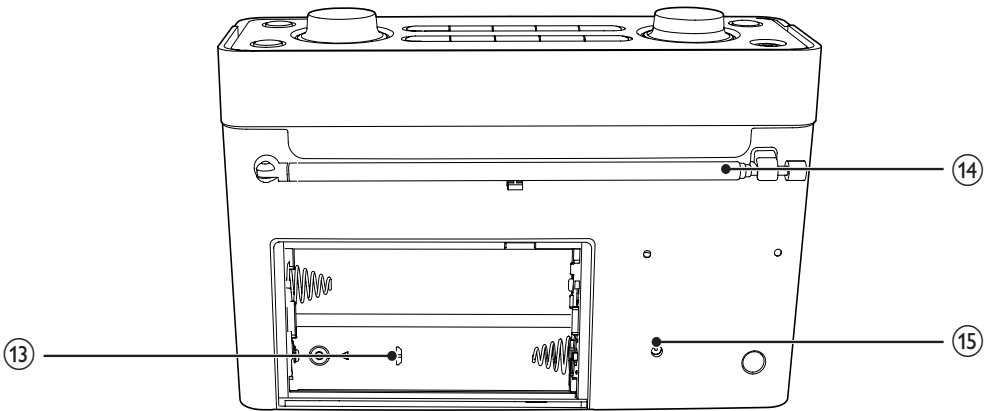
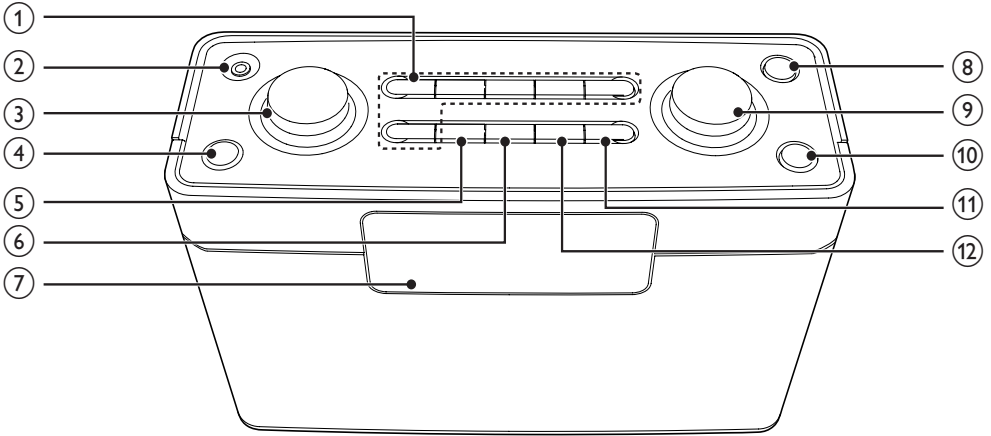
With this unit, you can enjoy both FM and Digital Audio Broadcasting (DAB+) radio.



What's in the box

Check and identify the contents of your package:

- Main unit
- Power adapter
- User manual

Overview of the main unit



- ① **1 - 5+**
 - Numeric keypads: select a preset radio station.
- ②  **Headphone socket.**
- ③ **VOLUME**
 - Adjust volume.
- ④  **Turn the radio on/off.**

- ⑤ **PRESET**
 - Store radio stations manually.
- ⑥ **INFO**
 - Display DAB+/RDS information.
- ⑦ **Display panel**
 - Show current information.
- ⑧ **SELECT**
 - Confirm selection.

- ⑨ **TUNING**
 - Tune to a radio station.
 - Adjust settings.
- ⑩ **DAB/FM**
 - Select DAB+/FM source.
- ⑪ **MENU**
 - Access DAB+/FM menu.
- ⑫ **SCAN**
 - Scan/store radio stations automatically.
- ⑬ **USB connector for software update**
- ⑭ **Antenna**
 - Improve FM/DAB+ radio reception.
- ⑮ **DC IN**
 - Connect power.

3 Get started



Caution

- Use of controls or adjustments or performance of procedures other than herein may result in hazardous radiation exposure or other unsafe operation.

Always follow the instructions in this chapter in sequence.

Prepare FM/DAB+ antenna

For better reception, fully extend and adjust the position of the FM/DAB+ antenna.



Note

- To prevent interference, position the antenna as far as possible from TV, VCR, or other radiation source.

Connect power

This unit can be powered by AC mains supply or batteries.

Option 1- AC power



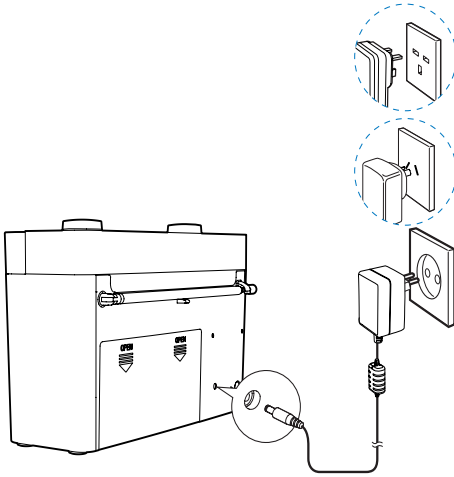
Caution

- Risk of product damage! Ensure that the power supply voltage corresponds to the voltage printed on the back or the underside of the unit.
- Risk of electric shock! When you unplug the AC adaptor, always pull the plug from the socket. Never pull the cord.
- Before connecting the AC adaptor, ensure that you have completed all other connections.



Note

- The type plate is located on the bottom of the main unit.



Tip

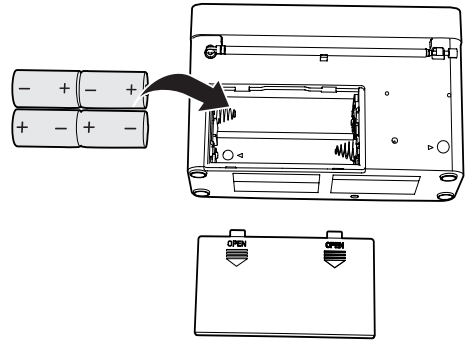
- When the unit is powered by AC mains supply, the display backlight is always on.

Option 2: Battery power

! Caution

- Risk of explosion! Keep batteries away from heat, sunshine or fire. Never discard batteries in fire.
- Do not mix batteries (old and new or carbon and alkaline, c.).
- Remove batteries if they are exhausted or if the unit is not used for a long time.
- Batteries contain chemical substances, so they should be disposed of properly.

- 1 Open the battery compartment.
- 2 Insert 4 × 1.5V R14/UM2/C batteries (not supplied) with correct polarity (+/-) as indicated.
- 3 Close the battery compartment.

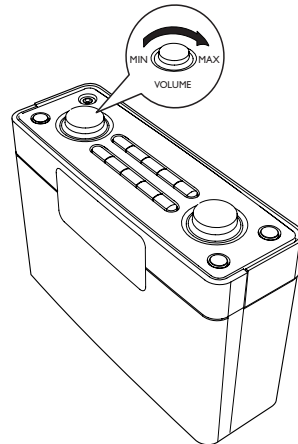


Turn on

Press Φ .

- ↳ The unit switches to the last selected source.

Adjust volume



Listen through the headphone

Plug a headphone into the  socket on the unit.

4 Listen to radio

Listen to DAB+ radio

Digital Audio Broadcasting (DAB+) is a way of broadcasting radio digitally through a network of transmitters. It provides you with more choice, better sound quality and more information.

Tune to DAB+ radio stations

Note

- Make sure that the antenna is fully extended.

- 1 Press **DAB/FM** repeatedly to select DAB+ radio.
 - ↳ **[Full SCAN]** (full scan) is displayed.
- 2 Press **SELECT** to start full scan.
 - ↳ The unit stores all the DAB+ radio stations automatically and then broadcasts the first available station.
 - ↳ The station list is memorized in the unit. Next time when you turn on the unit, the station scan does not take place.
 - ↳ If no DAB+ station is found, **[No DAB Station]** (no DAB station) appears, then **[FULL SCAN]** (full scan) is displayed.

To tune to a station from the available station list:

- 1 In DAB+ mode, rotate **TUNING** to navigate through the available DAB+ stations.
- 2 Press **SELECT** to confirm.

Store DAB+ radio stations automatically

Note

- New stations and services will be added in the DAB+ broadcast. To make new DAB+ stations and services available, perform full scan regularly.

In DAB+ mode, press **SCAN**.

- ↳ The unit scans all the available DAB+ radio stations and broadcasts the first available station.

Store DAB+ radio stations manually

Note

- You can store a maximum of 10 preset DAB+ radio stations.

- 1 Tune to a DAB+ radio station.
- 2 Press and hold **PRESET** for 3 seconds to activate the storing mode.
- 3 Rotate **TUNING** to select a preset number.
- 4 Press **SELECT** to confirm.
- 5 Repeat steps 1 to 4 to store other DAB+ stations.

Note

- To remove a pre-stored DAB+ radio station, store another station in its place.

Select a preset DAB+ radio station

In DAB+ tuner mode,

- to select a preset number 1 - 5, press the numeric keypad **1 - 5** directly;
- to select a preset number 6 - 10, press and hold **5+**, then press the corresponding number key simultaneously (e.g. **5+** and **1** for 6).

Show DAB+ information

While listening to DAB+ radio, press **INFO** repeatedly to scroll through the following information (if available):

- ↳ Station name
- ↳ Dynamic Label Segment (DLS)
- ↳ Signal strength
- ↳ Program type (PTY)
- ↳ Ensemble Name
- ↳ Channel and frequency
- ↳ Signal error rate
- ↳ Bit rate and audio status
- ↳ Date

Use DAB+ menu

- 1 In DAB+ mode, press **MENU** to access DAB+ menu.
- 2 Rotate **TUNING** to scroll through the menu options:
 - **[Full scan]**: scan all the available DAB+ radio stations.
 - **[Manual tune]**: tune to a specific channel/frequency manually and add it to the station list.
 - **[Prune]**: Remove all the invalid stations from the station list.
 - **[System]**: Adjust system settings.
- 3 To select an option, press **SELECT**.
- 4 Repeat steps 2-3 if sub-option is available under one option.

[System]

- **[Factory Reset]**: reset all the settings to factory default.
- **[Software Upgrade]**: update software if available.
- **[SW version]**: know the software version of the unit.



Note

- If no button is pressed within 10 seconds, the menu exits.

Listen to FM radio

Select FM mode

- 1 Press **⏻** to turn on the radio.
- 2 Press **DAB/FM** repeatedly to select FM mode.

Tune to FM radio stations

In FM tuner mode, rotate **TUNING** slowly to tune to FM radio stations with strong signal.

Store FM radio stations automatically



Note

- You can store up to 10 FM radio stations.

In FM tuner mode, press **SCAN**.

- ↳ The unit stores all the available FM radio stations and broadcasts the first station.

Store FM radio stations manually

- 1 Tune to an FM radio station.
- 2 Press and hold **PRESET** for 3 seconds to activate storing mode.
- 3 Rotate **TUNING** to select a number.
- 4 Press **SELECT** to confirm.
- 5 Repeat steps 1 - 4 to store more FM stations.



Tip

- To overwrite a preset station, store another station in its place.

Select a preset FM radio station

In FM tuner mode,

- to select the preset station 1 - 5, press the numeric keypad **1 - 5** directly;

- to select the preset station 6 - 10, press and hold **5+**, then press another keypad simultaneously (e.g. **5+** with **1** for 6).

Use FM menu

- 1** In FM mode, press **MENU** to access FM menu.
- 2** Rotate **TUNING** to scroll the menu options:
 - **[Scan setting]**
 - **[Stereo setting]**
 - **[System]**
- 3** To select an option, press **SELECT**.
- 4** Repeat steps 2-3 if sub-option is available under one option.

Scan setting

- **[Strong stations only]:** scan stations with strong signals only.
- **[All stations]:** scan all the available radio stations.

Stereo setting

- **[Stereo allowed]:** select stereo broadcast.
- **[Forced mono]:** select mono broadcast.

Show RDS information

RDS (Radio Data System) is a service that allows FM stations to show additional information.

If you listen to an FM station with RDS signal, a RDS icon and the station name are displayed.

- 1** Tune to a RDS station.
- 2** Press **INFO** repeatedly to scroll through the following information (if available):
 - ↳ Station name
 - ↳ Program type such as **[NEWS]** (news), **[SPORT]** (sport), **[POP M]** (pop music)...
 - ↳ Radio text messages
 - ↳ Frequency

Use system menu in FM/DAB+ mode

Reset all the settings

- 1** In DAB+/FM mode, press **MENU**.
- 2** Rotate **TUNING** until **[System]** (system) is displayed.
- 3** Press **SELECT** to confirm.
 - ↳ **[Factory Reset]** (factory reset) is displayed.
- 4** Press **SELECT** again.
 - ↳ **[No]** **[Yes]** is displayed.
- 5** Rotate **TUNING** to select **[Yes]** or **[No]**, then press **SELECT** to confirm.
 - **[Yes]:** reset all the settings to factory default.
 - **[No]:** cancel.

Update software (if available)

Software upgrade for your radio may be available in future. If you register your product at Philips website (www.philips.com/welcome) with a valid email address, you may receive software update notification. Or you can visit Philips website constantly to check if the updating information is provided.

To update software of your radio, follow these steps strictly:

- 1** Read software update instructions on Philips website carefully.
- 2** Download the latest software to your PC, then connect it to your radio via USB port.
- 3** In FM/DAB+ mode, enter the system menu.
- 4** Rotate **TUNING** until **[Software Upgrade]** (software upgrade) is displayed.
- 5** Press **SELECT** to confirm.
- 6** Follow the instructions on the screen to complete upgrade.



Note

- If you select **[Software upgrade]** without downloading the latest software or connecting to PC via USB port, you need power off and turn on the radio again.
- If upgrade is interrupted by accident, you must power off the unit and reinstall the software, otherwise your radio cannot work normally.

Know the software version

- 1 Enter the system setting menu.
- 2 Rotate **TUNING** until **[SW version]** (Software version) is displayed.
- 3 Press **SELECT** to confirm.
 - ↳ The software version of the unit is displayed.

5 Product information



Note

- Product information is subject to change without prior notice.

Amplifier

Rated Output Power	2 W RMS
--------------------	---------

Tuner

Tuning Range	FM: 87.5 - 108MHz DAB+: 174.92 - 239.20MHz
--------------	--

Tuning grid (FM)	50 KHz
------------------	--------

Sensitivity	
- Mono, 26dB S/N	< 22dBf
Ratio	

Search Selectivity	< 28dBf
--------------------	---------

Total Harmonic	< 2%
----------------	------

Distortion	
------------	--

Signal to Noise Ratio	>55 dB
-----------------------	--------

General information

AC/DC adapter (Input)	100-240V~, 50/60 Hz, 0.5A
(Output)	5.98V === 1.0A
(Brand name)	Philips
(Model number)	AS100-059- AD100
Operation Power Consumption	2.7W
Standby Power Consumption	<1W
Dimensions - Main Unit (H x W x D)	137 x 210 x 79 mm
Weight - With Packing - Main Unit	1.05 kg 0.86 kg

6 Troubleshooting



Warning

- Never remove the casing of this apparatus.

To keep the warranty valid, never try to repair the system yourself.

If you encounter problems when using this apparatus, check the following points before requesting service. If the problem remains unsolved, go to the Philips web site (www.philips.com/welcome). When you contact Philips, ensure that the apparatus is nearby and the model number and serial number are available.

No power

- Ensure that the power plug is connected properly.
- Ensure that there is power at the AC Mains.
- Ensure that the batteries are inserted correctly.

No sound

- Adjust the volume.

No response from the unit

- Take out the batteries and turn on the unit again.
- Disconnect and reconnect the AC power plug, then turn on the unit again.

Poor radio reception

- Increase the distance between the unit and your TV or VCR.
- Fully extend the antenna.

7 Notice



This product complies with the radio interference requirements of the European Community.

Any changes or modifications made to this device that are not expressly approved by WOOX Innovations may void the user's authority to operate the equipment.

Recycling



Your product is designed and manufactured with high quality materials and components, which can be recycled and reused.

When you see the crossed-out wheel bin symbol attached to a product, it means the product is covered by the European Directive 2002/96/EC:



Never dispose of your product with other household waste. Please inform yourself about the local rules on the separate collection of electrical and electronic products. The correct disposal of your old product helps prevent potentially negative consequences on the environment and human health.

Your product contains batteries covered by the European Directive 2006/66/EC, which cannot be disposed of with normal household waste. When you see the crossed-out wheel bin symbol with the chemical symbol 'Pb', it means that the batteries comply with the requirement set by the directive for lead:



Please inform yourself about the local rules on separate collection of batteries. The correct disposal of batteries helps prevent potentially negative consequences on the environment and human health.

Environmental information

All unnecessary packaging has been omitted. We have tried to make the packaging easy to separate into three materials: cardboard (box), polystyrene foam (buffer) and polyethylene (bags, protective foam sheet.)

Your system consists of materials which can be recycled and reused if disassembled by a specialized company. Please observe the local regulations regarding the disposal of packaging materials, exhausted batteries and old equipment.



Specifications are subject to change without notice.

2013 © WOOX Innovations Limited. All rights reserved.

This product was brought to the market by WOOX Innovations Limited or one of its affiliates, further referred to in this document as WOOX Innovations, and is the manufacturer of the product. WOOX Innovations is the warrantor in relation to the product with which this booklet was packaged. Philips and the Philips Shield Emblem are registered trademarks of Koninklijke Philips N.V.

AE5430_CCR_10_V2.0

