

Portable DAB radio

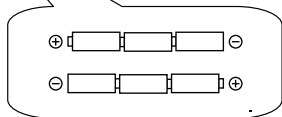
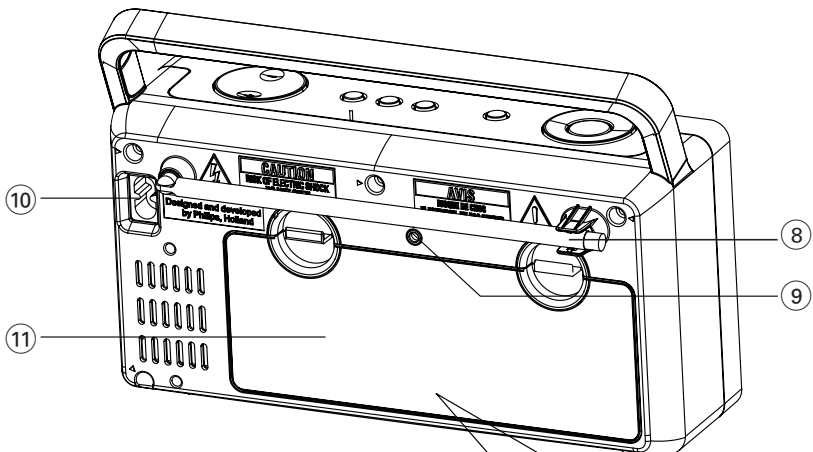
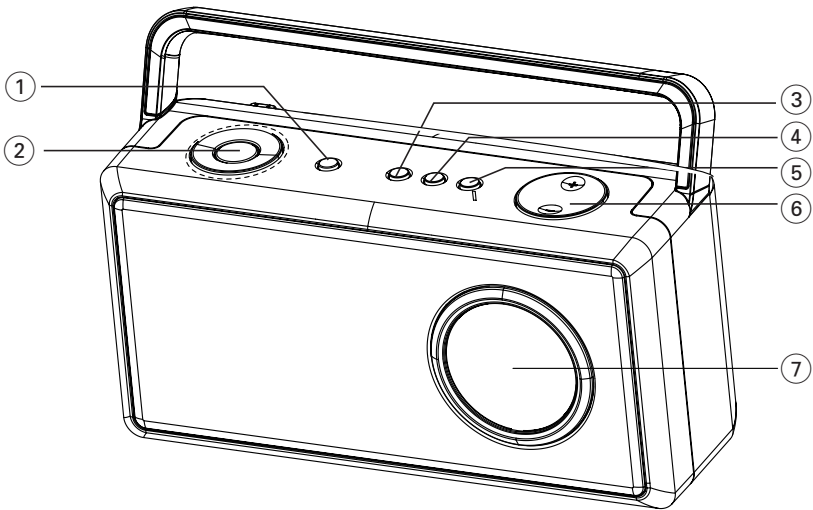
AE5000

User Manual



PHILIPS

1



6x1.5V R14/ UM2/ C CELL

2

Scanning...
■■■■■■■■

3

PHILIPS
DAB & FM Radio

4

7A 188.92MHz

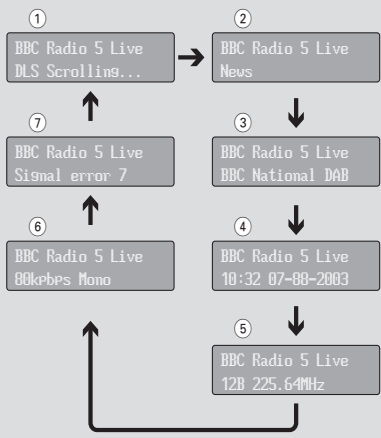
5

88.10MHz St FM
FM

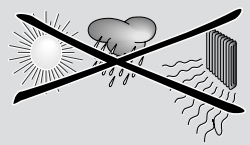
6

88.10MHz FM
90.10MHz FM

7



8



Congratulations on your purchase and welcome to Philips!

To fully benefit from the support that Philips offers, register your product at www.philips.com/welcome.


Supplied Accessory

– AC power cord

Top & front panels (see)

- ① **POWER** – switches on/off the set
- ② **PRESET**
– stores and recalls 5 DAB/FM stations
- SELECT**
– in DAB mode, selects a selection
– in DAB/FM mode, select a preset station
- TUNING +/- ◀/▶**
TUNING +/- has not any auto search station function.
– in DAB mode, selects DAB stations, or selects menu options
– in FM mode, fine tunes a station
- SOURCE**
– selects DAB (on Band 3), or FM mode
- ③ **MENU**
– in DAB mode, enables access to advance setup options
– activates resetting mode (press and hold for 2 seconds)
- ④ **DISPLAY**
– in DAB mode, selects station information in seven types
– switches DIM on or off (press and hold for 2 seconds)
- ⑤ **SCAN**
DAB:
– press briefly **SCAN** to perform a search of wider range (full scan) for DAB stations
FM: – tunes to a station
- ⑥ **VOLUME +/-** – adjusts volume level
- ⑦ **LCD display**
– displays DAB and FM radio information

Back panel (see)

- ⑧ **Telescopic antenna**
– improves DAB and FM reception
- ⑨  – 3.5 mm stereo headphone socket
Helpful hints: *The speakers will be muted when headphones are connected to the set.*
- ⑩ **AC MAINS**
- ⑪ **Battery door** – opens to insert 6 x 1.5V R-14/ UM-2/ C-cells

CAUTION

High voltage! Do not open. You run the risk of getting an electric shock. The machine does not contain any user-serviceable parts.

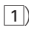
Modification of the product could result in hazardous radiation of EMC or other unsafe operation.

This set complies with the radio interference requirements of the European Union.

Power Supply

Whenever convenient, use the mains supply cord if you want to conserve battery life. Make sure you remove the plug from the set and wall outlet before inserting batteries.

Batteries (not included)

- 1 Open the battery door and insert 6 batteries, type **R-14**, **UM-2** or **C-cells**, (preferably alkaline) with the correct polarity as indicated by the "+" and "-" symbols inside the compartment (See )
- 2 Replace the battery door, making sure the batteries are firmly and correctly in place. The set is now ready to operate.
 - *Incorrect use of batteries can cause electrolyte leakage and will corrode the compartment or cause the batteries to burst:*

- Do not mix battery types: e.g. alkaline with carbon zinc. Only use batteries of the same type for the set.
- When inserting new batteries, do not try to mix old batteries with the new ones.
- Remove the batteries if the set is not to be used for a long time.

Batteries contain chemical substances, so they should be disposed of properly.

Using AC power

- 1 Check if the power voltage, **as shown on the type plate located on the rear of the set**, corresponds to your local power supply. If it does not, consult your dealer or service center.
 - 2 Connect the supplied power cord to the **AC MAINS** (located on the rear panel) and the wall socket. The set is now connected and ready for use.
 - 3 To switch the set off completely, withdraw the power cord from the wall socket.
- Install the unit near the AC outlet and where the power plug can be easily reached.
 - Disconnect the power cord from the wall socket to protect your set during heavy thunderstorms.
 - AC power cord is used as the disconnect device. It shall remain readily operable and should not be obstructed during intended use. To be completely disconnected the apparatus from supply mains, the power cord of the apparatus shall be disconnected from the mains socket outlet completely.

The type plate is located on the rear of the set.

General information

About Digital Audio Broadcasting (DAB)

DAB digital radio is a new way of broadcasting radio via a network of terrestrial transmitters. It provides listeners with more choice and information delivered in crystal clear, crackle-free sound quality.

- The technology allows the receiver to lock on to the strongest signal it can find.

- With DAB digital stations, there are no frequencies to remember, and sets are tuned by station name, so there is no re-tuning on the move.

What is a multiplex?

Digital radio operation is made up of a single block of frequencies called a multiplex. Each multiplex works within a frequency spectrum, such as Band III for DAB broadcasts.

Helpful hints:

- You will receive DAB stations only within your DAB transmission area.

DAB Broadcasters and DLS

Each DAB broadcaster (or multiplex operator) also provides text and audio data services. Some programmes are supported by Dynamic Label Segments (DLS). This is data which you can read as scrolling text on your DAB radio display. Some stations transmit the latest news, travel, and weather; what's on now and next, website addresses and phone numbers.

For more information on digital radio coverage and services, please visit www.drdb.org

Basic operation

- 1 Press **POWER** to power on the set.
→ The LCD lights up.
 - 2 Press **SOURCE** to select DAB or FM mode.
→ The radio will tune to a DAB station if DAB mode is selected.
→ The radio will tune to a FM station if FM mode is selected.
 - 3 To adjust volume, press **VOLUME +/-**.
 - 4 To improve DAB/FM reception, extend and turn the telescopic antenna. Reduce its length if the signal is too strong.
- To further improve DAB reception, you may also perform manual tuning (See **Manual Tune**)

Helpful hints:

- If there is no DAB coverage currently available, or DAB signal is too weak, in your area, no DAB station will be found, and information like "No station available" will be displayed.

Dimming LCD brightness

- 1 Press and hold **DISPLAY** for 2 seconds to switch Dim on or off.
→ Auto dim on will be activated if dim function is off in the last setting.
→ Auto dim off will be activated if dim function is on in the last setting.
- 2 If Dim function is activated and there is 15 seconds of button inactivity, the LCD brightness will be decreased to save power. Pressing any button will resume the original LCD brightness.

Switching on DAB radio

For the first time when DAB mode is switched on, AE5000 will perform an auto scan (see [2]). Then all the available DAB stations will be stored on the set, and the radio will tune to the first available station.

- 1 Press **POWER** to power on the set.
→ The LCD lights up.
- 2 Press **SOURCE** to select DAB mode if "FM" is displayed.
→ "Philips DAB & FM Radio" is displayed briefly (see [3]), then the radio auto tunes to a station.

Changing DAB stations

- 1 In DAB mode, press ◀ / ▶ repeatedly until your desired station name is displayed.
→ The selected station name appears on the second line of the display.
- 2 Press **SELECT** to confirm.
→ The radio will immediately tune to the selected station.

About station display symbols

You may see some symbols displayed before the station names as follows:

?: The symbol indicates that the station is not currently available, or not active.

>>: This symbol indicates that the station is a primary station with secondary service.

<<: This symbol indicates that the station is a secondary station.

DAB Radio

Scanning for DAB stations

New stations and services will be regularly added in the DAB broadcast. To make new DAB stations and service available on your DAB radio, a search is needed.

DAB Scanning:

- In DAB mode, press briefly **SCAN** to perform a search of wider range (full scan) for DAB stations.

Storing DAB presets

You can preset up to 5 DAB stations on the preset button for easy access.

- 1 In DAB mode, press ◀/▶ repeatedly until your desired station name is displayed.
- To select desired DAB station, you may also perform manual tuning (see **Manual Tune**).
- 2 Press **PRESET** once, and then press ◀/▶ to select preset numbers.
- 3 Press and hold **PRESET** on the top of the set to store the preset station.
 - "**Preset** ✕ **Saved**" (✕ indicates preset numbers) is displayed briefly on the second line of the display.

Helpful hints:

- If you have already saved a DAB station in that preset location, it will be overwritten by a new station.
- When you store DAB stations, these do not overwrite your FM presets.

Selecting a preset DAB station

- 1 In DAB mode, press **PRESET** on the top of the set.
- 2 Press ◀/▶ to select presets **1-5**.
- 3 Press **SELECT** to confirm the selection.

Resetting to the factory setting (also available in FM mode)

Resetting to the factory setting will delete all of the preset stations.

- 1 In DAB or FM mode, press and hold **MENU**.
 - "Press **SELECT** to confirm reset" is displayed.
- 2 To reset, press **SELECT**.
 - All the presets will be deleted, and "Philips DAB & FM Radio" is displayed.
- To not to reset, wait a few seconds until "Press **SELECT** to confirm reset" disappears.
 - The radio will revert to the previous operating status.

Changing the DAB station information

In DAB broadcasting, on the display, the first line shows a station name, and the second line shows the service information for the current station. You are offered with 7 types of information.

- Press **DISPLAY** repeatedly to cycle through the display information in the sequence as follows (See [7], take "BBC Radio 5 Live" as an example of a station name):

①: **Dynamic Label Segment (DLS)**: This is scrolling text information supplied by the DAB station, such as music titles or details of the programme.

②: **Program Type (PTY)**: This is a description of the type of programme, provided by the DAB station and the broadcaster.

③: **Multiplex Name**: This will show the multiplex that is broadcasting the programme you are listening to.

④: **Time and Date**: This displays the time and date, provided by the broadcaster.

⑤: **Channel and Frequency**: This displays the channel number and the transmission frequency.

⑥: **Signal information**: This shows the digital bit-rate and the signal mode.

⑦: **Signal Error Rate**: If the transmission signal contains errors, the system can apply correction. The amount of signal correction can be displayed as a numerical value between 0 and 99. As the value increases, the signal will be degraded. To improve reception, try adjusting the position of the antenna.

Using the MENU control

The menu control lets you access the DAB radio setup options.

- 1 In DAB mode, press **MENU** to enter the menu options.
→ The first setup option "Manual tune" is displayed.
- 2 Press ◀/▶ to scroll up and down the menu options:
Manual tune - > **Autoscan local** - > **Autoscan full** - > **DRC value** -> **Sw version**
- 3 To select an option, press **SELECT**.
- 4 Repeat **steps 2-3** if sub-option is available under one option.

Manual tune

By using this feature, it is possible to manually tune to a specific channel/frequency. In addition to antenna orienting for better radio reception, the optimum reception can also be obtained by using this feature.

- 1 In DAB mode, press **MENU** to display "**Manual tune**" option.
- 2 Press **SELECT** to make a selection.
→ Display shows a channel and its frequency.
- 3 Press ◀/▶ repeatedly until desired channel/frequency appears.
- 4 Press **SELECT** to confirm the selection.
→ The second line of the display shows the selected channel and its frequency. The first line of the display shows a rectangle. The position of the rectangle indicates the degree of signal strength (The further towards the right, the greater the signal strength. See [4]).
- 5 Adjust the position of the antenna to obtain the optimum signal strength.
- 6 Press **SELECT** to return to normal display.
→ You may press **DISPLAY** to change the service information on the display.

Dynamic Range Control (DRC)

DRC adds or removes a degree of compensation for the differences in the dynamic range between radio stations. For example, a station broadcasting popular music may have a high level of compensation applied since the emphasis is on a constant high listening level, whereas a station broadcasting classical music will have little or no compensation as the listener requires all of the highs and lows in the music to define the detail.

There are three levels of compensation:

DRC 0: No compensation applied.

DRC 1: Maximum compensation applied (This is the default).

DRC1/2: Medium compensation applied.

- 1 In DAB mode, press **MENU** to enter menu options.
- 2 Press **◀/▶** repeatedly until "**DRC value**" is displayed.
- 3 Press **SELECT** to enter the sub-menu.
→ The current DRC level will be displayed on the first line.
- 4 Press **◀/▶** to select a DRC value (DRC 0, DRC 1 and DRC1/2) displayed on the second line.
- 5 Press **SELECT** to confirm the selection when the required value is displayed.
→ You should be able to hear the difference in compression immediately.

Helpful hints:

- The best way to determine which of these DRC value settings suits you best is to experiment with them on a variety of source material.

Autoscan local

- 1 In DAB mode, press **MENU** to enter menu options.
- 2 Press **◀/▶** repeatedly until "**Autoscan local**" is displayed.
- 3 Press **SELECT** to confirm the selection.
→ The local search for DAB station(s) will be performed.

Autoscan full

- 1 In DAB mode, press **MENU** to enter menu options.
- 2 Press **◀/▶** repeatedly until "**Autoscan full**" is displayed.
- 3 Press **SELECT** to confirm the selection.
→ The wide range (full scan) search for DAB station(s) will be performed.

Helpful hints:

- Performing a DAB scan will restore the cancelled station(s) to the selection list if the station(s) become(s) activated again.

Sw version

This is only provided as the version number for this product.

FM Radio

Switching on FM radio

- 1 Press **POWER** to power on the set.
→ The LCD lights up.
- 2 Press **SOURCE** to select FM mode if "FM" is not displayed.
→ Waveband and radio frequency are displayed (see [5]).

Tuning to radio stations

- 1 In FM mode, press **SCAN** until frequency number starts running.
→ The radio will auto tune to a station of strong signal strength, and search will stop.
- 2 To tune to a weak station, press ◀/▶ until an optimum reception is found.
- 3 Repeat the steps above until you find the desired station.

Helpful hints:

- Before pressing **SCAN**, you may first press ▶ to select a scan up, or press ◀ to select a scan down.

Storing FM presets

You can store up to 5 FM stations on **PRESET** for easy access.

- 1 In FM mode, tune to your desired radio station (Refer to "Tuning to radio stations").
- 2 Press **PRESET** once, and then press ◀/▶ to select preset numbers.
- 3 Press and hold **PRESET** on the top of the set to store the preset station.
→ "**Preset** ∞ **Saved**" (∞ indicates preset numbers) is displayed briefly on the second line of the display, and the stored preset number is displayed (see [6]).

Helpful hints:

- If you have already saved a FM station in that preset location, it will be overwritten by a new station.
- When you store FM stations, these do not overwrite your DAB presets.

Selecting a preset FM station

- 1 In FM mode, press **PRESET** on the top of the set.
- 2 Press ◀/▶ to select presets **1-5**.
- 3 Press **SELECT** to confirm the selection.

Safety & Maintenance (See 8)

Safety & maintenance information

- Place the set on a flat, hard and stable surface so that the system does not tilt.
- Where the MAINS plug or an appliance coupler is used as the disconnect device, the disconnect device shall remain readily operable.
- Do not expose the set, batteries, CDs to humidity, rain, sand or excessive heat caused by heating equipment or direct sunlight.
- The apparatus shall not be exposed to dripping or splashing.
- Adequate ventilation with a minimum gap of 15cm (6 inches) between the ventilation holes and surrounding surfaces is necessary to prevent heat build-up.
- Do not cover the ventilation openings with items such as newspapers, table-cloths, curtains, etc.
- No objects filled with liquids, such as vases, shall be placed on the apparatus.
- No naked flame sources, such as lighted candles, should be placed on the apparatus.
- The mechanical parts of the set contain self-lubricating bearings and must not be oiled or lubricated.
- To clean the set, use a dry cloth. Do not use any cleaning agents containing alcohol, ammonia, benzene or abrasives as these may harm the housing.

Troubleshooting

If a fault occurs, first check the points listed below before taking the set for repair. If you are unable to remedy a problem by following these hints, consult your dealer or service centre.

WARNING: *Do not open the set as there is a risk of electric shock. Under no circumstances should you try to repair the set yourself, as this will invalidate the guarantee.*

Problem

- Possible cause
- Remedy

The radio has no power.

- Power cord not securely connected.
- Connect the power cord properly.
- Batteries dead/ incorrectly inserted.
- Insert (fresh) batteries correctly.

No sound is heard.

- Volume not adjusted.
- Adjust the **VOLUME**.
- Headphones connected to the set.
- Disconnect headphones.
- The station is currently out of service.
- Wait until the service resumes, or tune to a new station.

The indication “No station available” is displayed.

- DAB coverage is currently not available in your area.
- Wait until the coverage resumes.
- DAB signal is weak.
- Re-locate the radio, or adjust the position of the telescopic antenna.

The indication “Station off air” is displayed.

- The station is currently out of service.
- Wait until the service resumes. Or, perform a scan by pressing **SCAN** in DAB mode.

Poor reception

- Signal strength is weak.
- Re-locate the radio, or adjust the position of the telescopic antenna. For DAB, you may also perform manual tuning. See **Manual tune**.

I cannot hear the DAB station I have selected.

- **SELECT** button was not pressed after changing a station by pressing ◀ / ▶.
- Press **SELECT** button to tune to the selected station.

Note:

In case of malfunction due to electrostatic discharge, just reset the product (Reconnect of power source may be required.) to resume normal operation.

Hearing Safety

Listen at a moderate volume.

- Using headphones at a high volume can impair your hearing. This product can produce sounds in decibel ranges that may cause hearing loss for a normal person, even for exposure less than a minute. The higher decibel ranges are offered for those that may have already experienced some hearing loss.
- Sound can be deceiving. Over time your hearing "comfort level" adapts to higher volumes of sound. So after prolonged listening, what sounds "normal" can actually be loud and harmful to your hearing. To guard against this, set your volume to a safe level before your hearing adapts and leave it there.

To establish a safe volume level:

- Set your volume control at a low setting.
- Slowly increase the sound until you can hear it comfortably and clearly, without distortion.

Listen for reasonable periods of time:

- Prolonged exposure to sound, even at normally "safe" levels, can also cause hearing loss.
- Be sure to use your equipment reasonably and take appropriate breaks.

Be sure to observe the following guidelines when using your headphones.

- Listen at reasonable volumes for reasonable periods of time.
- Be careful not to adjust the volume as your hearing adapts.
- Do not turn up the volume so high that you can't hear what's around you.
- You should use caution or temporarily discontinue use in potentially hazardous situations.
- Do not use headphones while operating a motorized vehicle, cycling, skateboarding, etc.; it may create a traffic hazard and is illegal in many areas.

Environmental information

All unnecessary packaging material has been omitted. The packaging can be easily separated into three materials: cardboard, polystyrene and plastic.

Your set consists of materials which can be recycled if disassembled by a specialized company. Please observe the local regulations regarding the disposal of packaging, dead batteries and old equipment.

Disposal of your old product

Your product is designed and manufactured with high quality materials and components, which can be recycled and reused.

When this crossed-out wheeled bin symbol is attached to a product it means the product is covered by the European Directive 2002/96/EC.

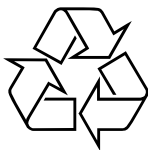


Please inform yourself about the local separate collection system for electrical and electronic products.

Please act according to your local rules and do not dispose of your old products with your normal household waste. The correct disposal of your old product will help prevent potential negative consequences for the environment and human health.

Meet Philips at the Internet
<http://www.philips.com>

English



AE5000



Printed in China

PDCC-ZH-0723

Portable DAB radio

AE5000

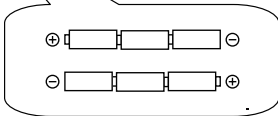
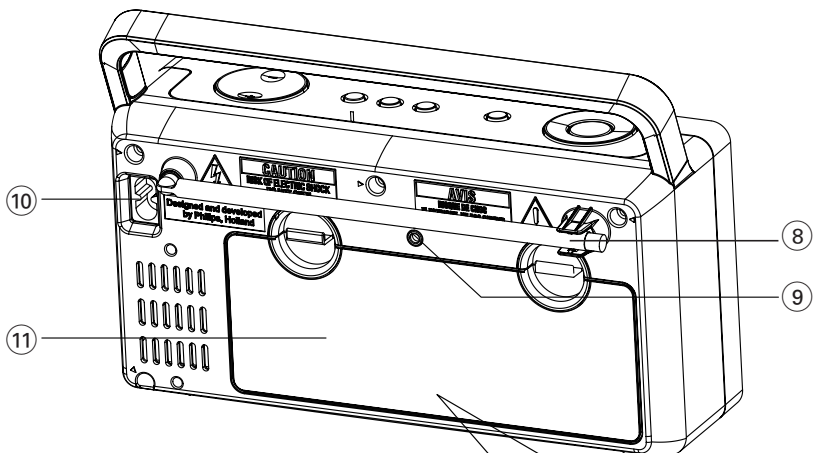
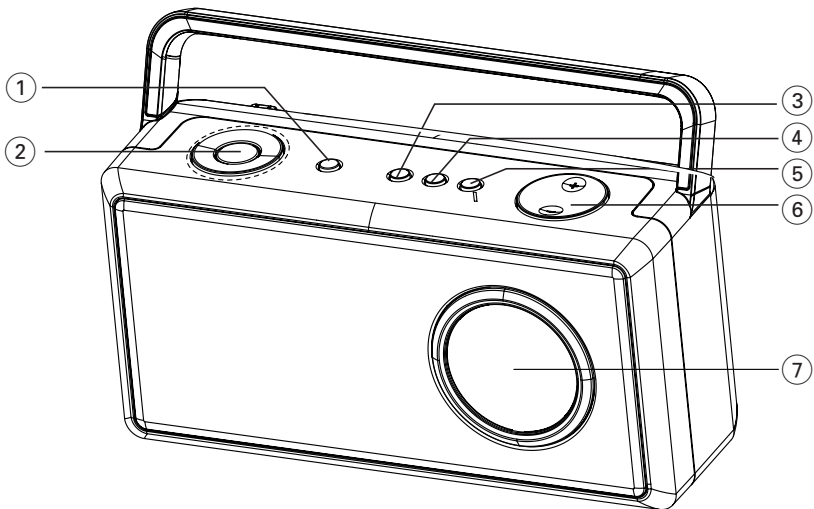
Register your product and get support at
www.philips.com/welcome

Brukerhåndbok



PHILIPS

1



6x1.5V R14/ UM2/ C CELL

2

Scanning...
■■■■■■■■

3

PHILIPS
DAB & FM Radio

4

7A 188.92MHz

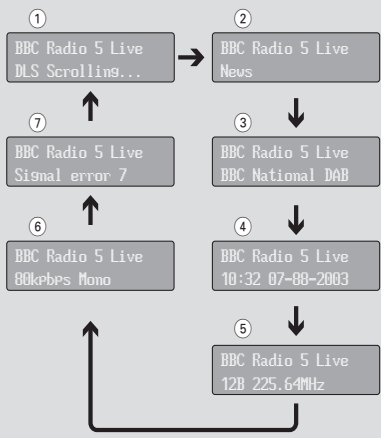
5

88.10MHz St FM
FM

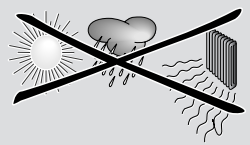
6

88.10MHz FM
90.10MHz FM

7



8



Gratulerer med kjøpet og velkommen til Philips.

Du får best mulig nytte av støtten som Philips tilbyr, hvis du registrerer produktet ditt på: www.philips.com/welcome.

Levert tilbehør

– AC-strømledning

Topp- og frontpanel (se 1)

① **POWER** – slår enheten på/av

② **PRESET**

– lagrer og husker 5 DAB/FM stasjoner

SELECT

– på DAB dvalemodus, velger et utvalg
– i DAB-/FM-modus velger du en forhåndsinnstilt stasjon

TUNING +/- ◀ / ▶

TUNING +/- (innstilling) har ingen automatisk funksjon for stasjonssøk.

– på DAB modus, velger DAB stasjoner, eller velger meny opsjoner
– på FM modus, finjusterer en stasjon

SOURCE

– velger DAB (på bånd 3) eller FM modus

③ **MENU**

– på DAB modus, tillater adgang til avanserte oppsett opsjoner
– aktiverer tilbakestillings modus (trykk og hold ned i 2 sekunder)

④ **DISPLAY**

– på DAB modus, velger informasjonen om stasjonen i syv typer
– slår DIM på eller av (trykk og hold ned i 2 sekunder)

⑤ **SCAN**

DAB:

– trykker du kort på **SCAN** (skann) for å utføre et søk av et større område (fullstendig skanning) etter DAB-stasjoner.

FM: – innstilles til en stasjon

⑥ **VOLUME +/-** – justerer volum nivå


⑦ **LCD display**

– viser DAB og FM radio informasjon

Bakpanel (se 1)

⑧ **Telescopic antenna (Teleskop-antenne)**

– forbedrer DAB og FM mottakelse

⑨  – 3.5 mm stereo headphone socket (3.5 mm stereo øretelefon inngang)

Hjelpsomme tips: Høytalere blir satt til lydlos når øretelefoner blir koblet til enheten.

⑩ **AC MAINS**

⑪ **Batteri deksel** – åpnes for å legge i 6 x 1.5V **R-14/ UM-2/ C-seller**

FORSIKTIG

Høy spenning Skal ikke åpnes. Du risikerer å få et elektrisk støt. Apparatet inneholder ingen deler som skal vedlikeholdes av brukeren. Forandringer av produktet kan føre til farlige stålinger av EMC eller andre operasjoner som ikke er trygge.

Denne enheten samsvarer til radio interferens anfordringer fra den Europeiske Unionen.

Strømforsyning

Bruk nettkabelen når det er mulig for å forlenge batteriets levetid. Forsikre deg om at enhetens kontakt er frakoblet stikk-kontakten før du legger inn batteriene.

Batterier (ikke inkludert)

- 1 Åpne batteri-deksel og legg inn 6 batterier, av typen **R-14**, **UM-2** eller **C-seller**, (fortrinnsvis alkaline) med riktig polaritet som det er vist med "+" og "-" symboler inne i batterirommet (Se 1).
- 2 Sett på deksel til batterirommet igjen, og forsikre deg om at batteriene sitter godt på plass. Enheten er nå klar til bruk.
 - feil bruk av batterier kan føre til elektrolytisk lekkasje som korroderer batterirommet eller få batteriene til å eksplodere:

- Ikke bland batterier av ulik type: f.eks. alkaline med karbon sink. Bruk kun batterier av samme typen for enheten.
- Når du setter inn nye batterier, skal du unngå å blande gamle batterier med de nye.
- Fjern batteriene hvis enheten ikke brukes for en lengre tid.

Batterier inneholder kjemiske stoffer, derfor skal de kastes på en miljøvennlig måte.

Bruk av AC strøm

- 1 Kontroller om strømspenningen, **som vist på typeskiltet festet på baksiden av** enheten, tilsvarer den lokale strøm forsyningen. Hvis det ikke tilsvarer; kontakt din forhandler eller servicesenter.
 - 2 Tilkobler den leverte strøm adapteren til **AC MAINS** (som er på bakpanelet) og stikk-kontakten. Enheten er nå tilkoblet og klar til bruk.
 - 3 For å slå av enheten helt, dra ut strøm adapteren fra stikk-kontakten.
- Installer enheten i nærheten av AC utgangen og hvor det er enkelt å komme frem til strøm adapteren.
 - Frakoble strøm adapteren fra stikk-kontakten for å beskytte din enhet under kraftig torden-vær.
 - AC/DC adapter blir brukt som frakoblings enhet. Den skal holdes klar til drift og skal ikke være tildekket under den planlagte bruken. For at apparatet skal være helt frakoblet fra strømforsyningen, skal apparatets AC/DC adapter være helt frakoblet fra strømforsyningens stikk-kontakt.

Typeskiltet er festet på enhetens bakside.

Generell informasjon

Om digital audio kringkasting (DAB)

DAB digital radio er en ny måte å kringkaste radio via et nettverk av terrestriske sendere. Den tilbyr lyttere flere valgmuligheter og informasjon som blir levert i krystallklar, forstyrrelsesfri lyd kvalitet.

- Teknologien tillater mottakeren å låse seg inn på det sterkeste signalet som finnes.
- Ved DAB digitale stasjoner må du ikke huske frekvenser; og enheten blir innstilt av stasjons navn, så det er ikke nødvendig med etterjustering.

Hva er en multiplex?

Digitale radio-operasjoner er laget for en eneste blokk av frekvenser som er kalt multiplex. Hver multiplex virker innenfor et frekvensspektrum, som f.eks. Bånd III for DAB kringkasting.

Hjelpsomme tips:

- Du kan kun motta DAB stasjoner innenfor ditt DAB sendeområde.

DAB kringkastere og DLS

Hver DAB kringkaster (eller multiplex operatør) tilbyr også tekst og audio data tjenester. Noen programmer blir støttet av Dynamic Label Segments (DLS). Dette er data som du kan lese som skrolle tekst på din

DAB radio display. Noen stasjoner sender de siste nyheter, reise og værmeldinger; hva skjer nå og i fremtiden, hjemmesider og telefon nummere.

For mer informasjon om digital radio dekning og tjenester, vær vennlig og besøk www.drdb.org

Normal bruk

- 1 Trykk på **POWER** for å sette på strømmen.
→ The LCD lights up.
 - 2 Trykk på **SOURCE** for å velge DAB eller FM modus.
→ Radioen stiller seg inn på en DAB stasjon hvis DAB modus er valgt.
→ Radioen stiller seg inn på en FM stasjon hvis FM modus er valgt.
 - 3 For å justere volum, trykk på **VOLUME (VOLUM) +/-**.
 - 4 For å forbedre DAB/FM mottakelsen, trekk ut og vri teleskop antennen. Reduser lengden hvis signalet er for sterkt.
- For ytterligere forbedring av DAB mottakelsen, kan du også prøve med manuell tuning (se **Manuell Tune**)

Hjelpsomme tips:

- Hvis det ikke finnes DAB dekning, eller DAB signal er for svakt i ditt område, blir ingen DAB stasjon funnet, og en informasjon som f.eks. "Stasjon ikke tilgjengelig" vises i displayen.

Dimme LCD lysstyrken

- 1 Trykk på og hold ned **DISPLAY** i 2 sekunder for å slå Dim på eller av.
→ Automatisk dim blir aktivert hvis dim funksjonen er av fra forrige innstilling.
→ Automatisk dim blir deaktivert hvis dim funksjonen er på fra forrige innstilling.
- 2 Hvis dim funksjonen er aktivert og knappen ikke blir brukt i løpet av 15 sekunder, blir LCD-lysstyrken satt ned for å spare strøm.
Trykking på hvilken som helst knapp innstiller til opprinnelig LCD lysstyrke.

Slå på DAB radio

Første gang DAB modus blir slått på, AE5000 utfører en automatisk leting (se **2**). Deretter blir alle tilgjengelige DAB stasjoner lagret i enheten, og radioen tuner seg selv til den første tilgjengelige stasjonen.

- 1 Trykk på **POWER** for å sette på strømmen.
→ LCD lyser.
- 2 Trykk på **SOURCE** for å velge DAB når "FM" vises i displayen.
→ "**Philips DAB & FM Radio**" vises kort i displayen (se **3**), etter det tuner radioen seg automatisk inn på en stasjon.

Skifte DAB stasjoner

- 1 I DAB modus, trykk på ◀/▶ gjentatte ganger inntil ønsket stasjonsnavn vises i displayen.
→ Det utvalgte stasjonsnavn vises på andre linjen av displayen.
- 2 Trykk på **SELECT (VELG)** for å bekrefte.
→ Radioen tunes direkte inn på den valgte stasjonen.

Om symboler for stasjonens display

Kanskje du ser noen symboler foran stasjonsnavnet som f.eks.:

?: Dette symbolet indikerer, at stasjonen i øyeblikket ikke er tilgjengelig, eller ikke er aktiv.

>>: Dette symbolet indikerer at stasjonen er en primærstasjon med sekundære tjenester.

<<: Dette symbolet indikerer at stasjonen er en sekundær stasjon.

Skanne etter DAB stasjoner

Nye stasjoner og tjenester blir regelmessig tilføyd DAB kringkasting. For å gjøre nye DAB stasjoner tilgjengelig på din DAB radio, er det nødvendig med leting.

DAB-skanning:

- I DAB-modus trykker du kort på **SCAN** (skann) for å utføre et søk av et større område (fullstendig skanning) etter DAB-stasjoner.

Lagre DAB forhåndsvalgte

Du kan forhåndsinnstille opptil fem DAB-stasjoner på forhåndsinnstillingsknappen for enkel tilgang.

- 1 I DAB modus, trykk på ◀ / ▶ gjentatte ganger inntil ønsket stasjonsnavn blir vist i displayen.
- For å velge ønsket DAB stasjon, kan du også prøve med manuell tuning (se **Manuell Tune**).
- 2 Trykk på **PRESET** (forhåndsinnstilling) én gang, og trykk deretter på ◀ / ▶ for å velge forhåndsinnstillingsnumre.
- 3 Trykk på og hold nede **PRESET** (forhåndsinnstilling) øverst på enheten for å lagre stasjonen du vil forhåndsinnstille.
→ "**Preset** ✕ **Saved**" (forhåndsinnstilling ✕ lagret) (✕ indikerer nummeret på forhåndsinnstillingen) vises en kort stund på den andre linjen i displayet.

Hjelpsomme tips:

- Hvis du allerede har lagret en DAB stasjon på denne forvalgkanalen, blir den erstattet av den nye stasjonen.
- Hvis du lagrer en DAB stasjon, har det ingen effekt på ditt FM forvalg.

Å velge ut en forvalgt DAB stasjon

- 1 I DAB-modus trykker du på **PRESET** (forhåndsinnstilling) øverst på enheten.
- 2 Trykk på ◀ / ▶ for å velge forhåndsinnstilling

1–5.

- 3 Trykk på **SELECT** (velg) for å bekrefte valget.

Hjelpsomme tips:

- Hvis du ikke har lagret en DAB stasjon på et av forvalgene, "Tomt forvalg" blir vist i displayen. Etter det går displayen tilbake til den forrige valgte stasjonen etter noen få sekunder.

Tilbakestilling til fabrikk innstillinger (også tilgjengelig i FM modus)

Tilbakestilling til fabrikk innstillinger av forvalgte stasjoner:

- 1 I DAB eller FM modus, trykk og hold ned **MENU (MENY)**.
→ "Trykk på **SELECT (VELG)** for å bekrefte tilbakestilling" vises i displayen.
- 2 For tilbakestilling, trykk på **SELECT (VELG)**.
→ Alle forvalg blir slettet, og "Philips DAB & FM Radio" blir vist i displayen.
- For å ikke tilbakestille, vent noen sekunder inntil.
→ "Trykk på **SELECT (VELG)** for å bekrefte tilbakestilling" forsvinner. Etter det går radioen tilbake til den forrige tilstanden.

DAB Radio Skifte DAB stasjonen informasjon

Innen DAB kringkasting, viser første linjen på displayen navnet til stasjonen, og den andre linjen viser service informasjon til den aktuelle stasjonen. Du blir tilbudt 7 typer informasjon.

- Trykk på **INFO** gjentatte ganger for å skrolle gjennom display informasjonen i følgende rekkefølge (Se [7], ta "BBC Radio 5 Live" som et eksempel et stasjonsnavn):

①: **Dynamic Label Segments (DLS):**

Dette betyr å skrolle gjennom tekst-informasjon som sendes av DAB stasjonen, som f.eks. musikktitler eller detaljer om programmer:

②: **Program Type (PTY):** Dette er en beskrivelse av programtypen, som sendes fra DAB stasjonen og kringkasteren.

③: **Multiplex Name (Multiplex navn):** Dette viser multiplexen som kringkaster programmet du lytter på.

④: **Time and Date (Tid og Dato):** Dette viser tiden og dato, som kringkasteren sender.

⑤: **Channel and Frequency (Kanal og Frekvens):** Dette viser kanalnummeret og sendefrekvens.

⑥: **Signal information (Signal informasjon):** Dette viser den digitale bit raten og signalmodus.

⑦: **Signal Error Rate (Signal Feil Rate):** Hvis sendesignalet inneholder feil, kan systemet korrigerer det. Antall signalkorrigeringer kan vises i form av en numerisk verdi mellom 0 og 99. Når verdien stiger; blir signalet ned-satt. For å forbedre mottakelsen, prøv å justere antennens posisjon.

Bruk av MENY-kontrollen

Meny-kontrollen gir adgang til DAB radio oppsett opsjoner

- 1 I DAB modus, trykk på **MENU (MENY)** knappen for å åpne meny opsjoner:
→ Den første oppsett opsjonen "Manuell

tune" blir vist.

- 2 Trykk på ◀/▶ for å skrolle opp og ned i meny opsjonene:

Manual tune - > Autoscan local - > Autoscan full - > DRC value -> Sw version

- 3 For å velge en opsjon, trykk på **SELECT (VELG)**.
- 4 Gjenta steg **2-3** hvis underopsjoner er tilgjengelige under en opsjon

Manuell tune

Med denne funksjonen kan du tune til en spesifisk kanal/frekvens manuelt. I tillegg til justering av antennen kan denne funksjonen bli brukt for å få optimal mottakelse.

- 1 I DAB modus, trykk på **MENU (MENY)** for å vise "Manuell tune" opsjon.
- 2 Trykk på **SELECT (VELG)** for å treffe et utvalg.
→ Displayen viser en kanal og tilhørende frekvens.
- 3 Trykk på ◀/▶ gjentatte ganger inntil ønsket kanal/frekvens kommer opp.
- 4 Trykk på **SELECT (VELG)** for å bekrefte utvalget.
→ Andre linjen I displayen viser den utvalgte kanalen og tilhørende frekvens. Første linjen i displayen viser en firkant. Posisjonen av firkanten viser signalets styrke (jo mere den er til høyre, jo sterkere er signalet. Se [4]).
- 5 Juster antennens posisjon for å oppnå optimal signalstyrke.
- 6 Trykk på **SELECT (VELG)** for å gå tilbake til normal display.
→ Du kan trykke på **DISPLAY** for å forandre s service informasjon i displayen.

Dynamic Range Control (DRC) / Dynamisk Rekkevidde Kontroll

DRC tilføyer eller fjerner en kompensasjonsgrad angående forskjeller i dynamisk rekkevidde mellom radio stasjoner. F.eks., en stasjon som kringkaster pop-musikk bruker en høy kompensasjonsgrad fordi man legger vekt på å spille høy musikk, mens en stasjon som kringkaster klassisk musikk har ingen eller liten kompensasjonsgrad fordi man skal høre all bass og diskant i musikken for å kjenne alle detaljer. Det finnes 3 kompensasjonsnivåer:

Det finnes 3 kompensasjonsnivåer:

DRC 0: Ingen kompensasjon blir brukt.

DRC 1: Maksimum kompensasjon blir brukt. (Dette er standardinnstilling.)

DRC1/2: Medium kompensasjon blir brukt.

- 1 I DAB modus, trykk på **MENU (MENY)** for å åpne meny opsjonene.
- 2 Trykk på **◀/▶** gjentatte ganger inntil "**DRC-verdi**" blir vist.
- 3 Trykk på **SELECT (VELG)** for å åpne under-menyen.
→ Den aktuelle DRC graden blir vist i første linjen.
- 4 Trykk på **◀/▶** for å velge DRC verdi (DRC 0, DRC 1 og DRC1/2) blir vist i andre linjen.
- 5 Trykk på **SELECT (VELG)** for å bekrefte utvalget når ønsket verdi blir vist.
→ Du skal være i stand til å høre forskjellen i kompensasjonen med en gang

Hjelpsomme tips:

- Den beste måten å finne ut hvilken DRC verdi som passer best for deg er å eksperimentere med dem ved å bruke forskjellig kilde material.

Autoscan local

- 1 I DAB-modus trykker du på **MENU** (meny) for å åpne menyalternativene.
- 2 Trykk på **◀/▶** flere ganger til **Autoscan local** (lokal autoskanning) vises.
- 3 Trykk på **SELECT** (velg) for å bekrefte valget.
→ Det lokale søket etter DAB-stasjon(er) utføres.

Autoscan full

- 1 I DAB-modus trykker du på **MENU** (meny) for å åpne menyalternativene.
- 2 Trykk på **◀/▶** flere ganger til **Autoscan full** vises.
- 3 Trykk på **SELECT** (velg) for å bekrefte valget.
→ Søket i det større området (fullstendig skanning) etter DAB-stasjon(er) utføres.

Hjelpsomme tips:

- Det å kjøre en DAB skann henter de slettete stasjon(er) tilbake til forvalg listen når stasjon(en(e)) blir aktive igjen.

Programvare versjon

Dette er kun levert som versjonsnummer for dette produktet.

FM Radio

Slå på FM radio

- 1 Trykk på **POWER** for å sette på strømmen.
→ LCD lyser.
- 2 Trykk på **SOURCE** for å velge FM modus hvis "FM" ikke vises i displayen.
→ Bølgebånd og radiofrekvens vises (Se [5]).

Tuning til radio stasjoner

- 1 I FM modus, trykk på **SCAN (SKAN)** inntil frekvens nummere begynner å gå.
→ Radioen stiller seg automatisk inn på en stasjon med et sterkt signal og letingen slutter.
- 2 For å tune til en svak stasjon trykk på ◀/▶ frem til en optimal mottakelse er funnet.
- 3 Gjenta steg ovenfor frem til du har funnet ønsket stasjon.

Hjelpsomme tips:

- Før du trykker på **SCAN (SKAN)**, kan du først trykke på ▶ for å velge skann opp, eller trykke på ◀ for å velge skann ned.

Lagre FM forvalg

Du kan forhåndsinnstille opptil fem FM-stasjoner på forhåndsinnstillingsknappen for enkel tilgang.

- 1 I FM-modus trykker du på **MENU** (meny) for å åpne menyalternativene.
- 2 Trykk på ◀/▶ flere ganger til Autoscan local (lokal autoskanning) vises.
- 3 Trykk på og hold nede **PRESET** (forhåndsinnstilling) øverst på enheten for å lagre stasjonen du vil forhåndsinnstille.
→ "**Preset** ✕ **Saved**" (forhåndsinnstilling ✕ lagret) (✕ indikerer nummeret på forhåndsinnstillingen) vises en kort stund på den andre linjen i displayet. Og det lagrede forhåndsinnstillingsnummeret vises (se [6]).

Hjelpsomme tips:

- Hvis du allerede har lagret en FM stasjon på denne forvalgkanalen, blir den erstattet av den nye stasjonen.
- Hvis du lagrer en FM stasjon, har det ingen effekt på ditt DAB forvalg.

Å velge ut en forvalgt FM stasjon

- 1 I FM-modus trykker du på **PRESET** (forhåndsinnstilling) øverst på enheten.
- 2 Trykk på ◀/▶ for å velge forhåndsinnstilling 1–5.
- 3 Trykk på **SELECT** (velg) for å bekrefte valget.

Sikkerhets- & vedlikeholdsformasjon

- Sett enheten på et flatt, hardt og stabilt underlag slik at systemet ikke tilter.
- Når strømuttaket eller en apparatkobling brukes som frakoblingsenhet, må frakoblingsenheten hele tiden være klar til bruk.
- Ikke utsett enheten, batterier; CD-er for fuktighet, regn, sand eller ekstrem varme fra varmeovner eller direkte sollys.
- Apparatet skal ikke utsettes for drypp eller sprut.
- Ordentlig ventilasjon med en min. avstand av 15cm (6 tommer) mellom ventilasjonshyllene og omgivelsen er nødvendig for å forhindre at varmen bygger seg opp.
- Ikke tildekk ventilasjonsåpninger med ting som aviser; duker; forheng, osv.
- Ingen objekter som inneholder vann, som f.eks. vaser; skal settes på apparatet.
- Ingen åpen ild, som f.eks. stearinlys, bør settes på apparatet.
- De mekaniske deler av enheten har selvsmørende lager og trenger ingen olje eller smøremiddel.
- For rengjøring av enheten, bruk en tørr klut. Ikke bruk noen rengjøringsmiddel som inneholder alkohol, amoniakk, bensin eller løsningsmidler. Dette kan føre til skader på kabinettet.

Hørselssikkerhet

Lytt til et moderat volum.

- bruke hodetelefoner med høyt volum kan skade hørselen. Dette produktet kan gi lyder på desibelskalaen som kan forårsake hørselstap for en vanlig person, selv ved eksponering i mindre enn ett minutt. Lydene høyt på desibelskalaen tilbys for de som allerede er rammet av hørselstap.
- Lyd kan bedra. Over tid vil "komfortnivået" til hørselen tilpasses høyere lydvolume. Etter mye lyting, kan det som høres "normalt" ut faktisk være høyt og skadelig for hørselen. For å beskytte deg mot dette setter du volumet på et trygt nivå før hørselen din tilpasser seg, og lar det stå der.

Slik finner du et trygt lydvolume:

- Sett volumkontrollen lavt.
- Øk lyden sakte til du hører den komfortabelt og tydelig uten forvrenging.

Lytt i rimelige perioder:

- Langvarig lydeksponering, selv ved vanlige "trygge" nivåer; kan også forårsake hørselstap.
- Husk å bruke utstyret ditt fornuftig og ta passende pauser.

Husk å gjøre deg kjent med følgende retningslinjer når du bruker hodetelefonene

- Lytt til et fornuftig lydvolume i rimelige perioder.
- Husk å ikke stille volumet når hørselen din tilpasser seg.
- Ikke skru volumet så høyt at du ikke hører hva som skjer rundt deg.
- Du bør utvise forsiktighet eller stoppe bruken midlertidig i potensielt farlige situasjoner.
- Ikke bruk hodetelefoner når du styrer et motorisert kjøretøy, sykler, skateboarder osv. Det kan være trafikkfarlig og er ulovlig mange steder.

Feilsøking

Ved feil, sjekk først punkter som er oppført nedenfor før du sender enheten til reparering. Hvis du ikke er istand å løse problemet med følgende henvisninger; kontakt din forhandler eller service senter.

ADVARSEL: *Ikke åpne enheten, da det er fare for elektrisk støt. Under ingen omstendigheter skal du prøve å reparere enheten selv, dette fører til tap av garanti.*

Problem

- Mulig årsak
- Hjelp

Radioen får ingen strøm.

- Strøm adapteren er usikkert tilkoblet.
- Tilkoble strøm adapteren ordentlig.
- Batterier tomme/ feil innsatt.
- Sett inn (nye) batterier korrekt.

Ingen lyd høres.

- Volum er ikke på.
- Juster VOLUMET.
- Øretelefoner tilkoblet enheten.
- Øretelefoner frakobles.
- Denne stasjonen er i øyeblikket ute av drift.
- Vent til service kommer tilbake eller tune til en ny stasjon.

Meldingen "Ingen stasjon tilgjengelig" blir vist.

- DAB dekning er ikke tilgjengelig i ditt område.
- Vent til dekningen kommer tilbake.
- DAB signal er svakt.
- Flytt på radio, eller juster posisjonen til teleskop antennen.

Meldingen "Stasjon ikke på luften" blir vist.

- Denne stasjonen er i øyeblikket ute av drift.
- Vent til service kommer tilbake. Eller; utfør en skann ved å trykke på **SCAN** i DAB modus.

Dårlig mottakelse

- Signal er svakt.
- Flytt på radio, eller juster posisjonen til teleskop antennen. For DAB kan du også utføre en manuell tuning. Se **Manuell tune**.

Jeg kan ikke høre DAB stasjonen som jeg valgte.

- **SELECT (VELG)** knappen har ikke blitt trykket etter skift av stasjonen ved å trykke på ◀ / ▶.
- Trykk på **SELECT (VELG)** knappen for å tune til den valgte stasjonen.

Merk:

I tilfelle feilfunksjon pga. elektrostatisk opplading, tilbakestill produktet (koble strøm av og på kan være nødvendig) for å gå tilbake til normal operasjon.

Miljø-informasjon

All nødvendig emballasje material er unngått. Emballasjen kan lett bli delt opp i tre materialer: papp, polystyren og plastikk.

Din enhet består av materialer som kan gjenvinnes hvis den er framontert av en spesialisert bedrift. Vær snill og overhold de lokale regler angående kasting av emballasje, tomme batterier og gammelt utstyr.

Avhending av ditt gamle produkt

Ditt produkt er laget og produsert av materialer og komponenter i høy kvalitet som kan bli gjenvunnet og kan bli brukt igjen.

Hvis symolet med et krysset fat på hjul er festet på produktet, betyr det at produktet samsvarer Europeisk direktiv 2002/96/EC.

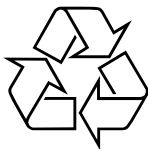


Vær snill og informer deg om det lokale systemet separat innsamling av elektriske eller elektroniske produkter.

Vær snill og følg de lokale regler og kast ikke gamle produkter sammen med ditt husholdnings avfall. Riktig avhending av ditt gamle produkt hjelper å unngå potensielle negative innvirkninger på miljøet og menneskenes helse.

Meet Philips at the Internet
<http://www.philips.com>

Bokmål



AE5000



Printed in China

PDCC-ZC-0734

Portable DAB radio

AE5000

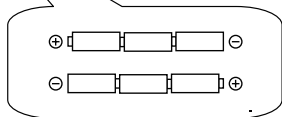
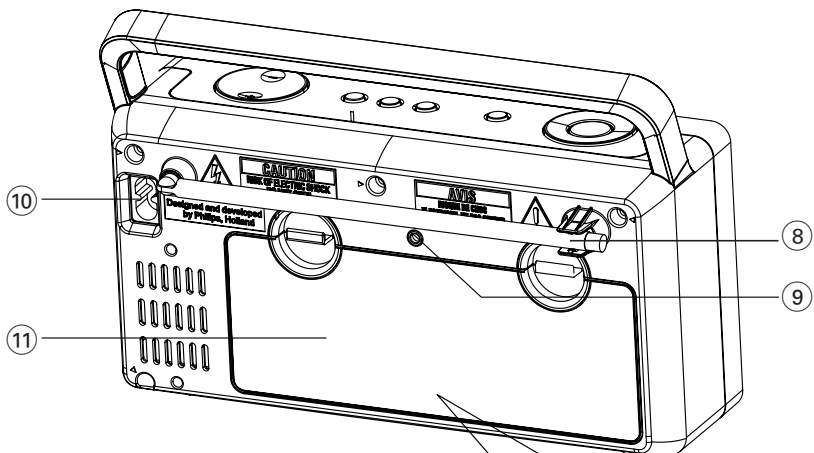
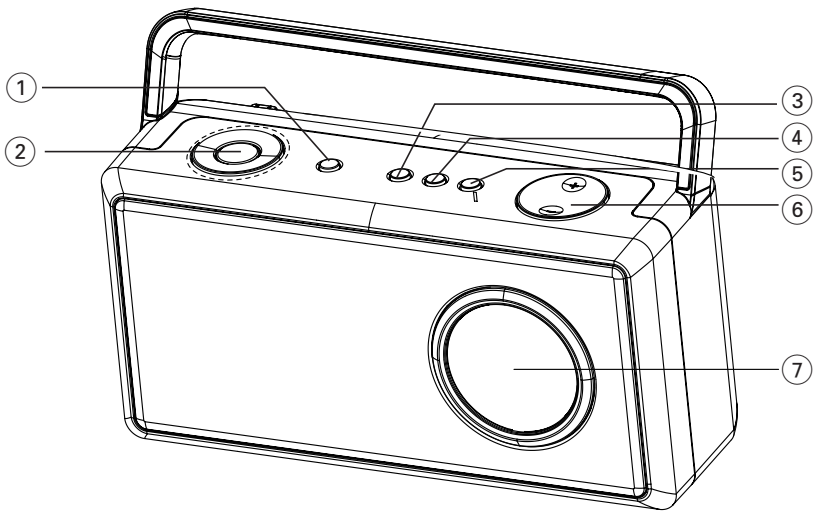
Register your product and get support at
www.philips.com/welcome

Brugervejledning



PHILIPS

1



6x1.5V R14/ UM2/ C CELL

2

Scanning...
■■■■■■■■

3

PHILIPS
DAB & FM Radio

4

7A 188.92MHz

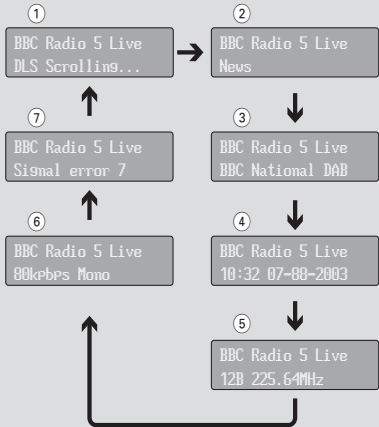
5

88.10MHz St FM
FM

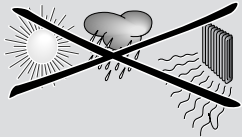
6

88.10MHz FM
90.10MHz FM

7



8



Tillykke med dit køb og velkommentil Philips!

For at få fuldt udbytte af den støtte, Philips tilbyder, skal du registrere dit produkt på:
www.philips.com/welcome

Medfølgende tilbehør

– Vekselsstrømskabel

Top- og frontpaneler (se 1)

- ① **POWER** – tænder/slukker enheden
- ② **PRESET**
– gemmer og husker 5 DAB-/FM-stationer
- SELECT**
– i DAB-/sleep-tilstand, vælger et valg
– i DAB-/FM-tilstand kan du vælge en forudindstillet station

TUNING +/- ◀/▶

TUNING +/- har ingen funktion til automatisk søgning efter stationer.

- i DAB-tilstand, vælger DAB-stationer eller vælger menuindstillinger
- i FM-tilstand, finindstiller en station

SOURCE

– vælger DAB (på bånd 3), eller FM-tilstand

- ③ **MENU**
– i DAB-tilstand, giver adgang til avancerede opsætningsmuligheder
– aktiverer nulstillingstilstand (tryk og hold nede i 2 sekunder)

④ DISPLAY

- i DAB-tilstand, vælger informationer om stationer i syv typer
- tænder/slukker for DIM (tryk på og hold nede i 2 sekunder)

⑤ SCAN

DAB:

– skal du trykke kort på **SCAN** for at foretage en søgning i et større område (fuld scanning) efter DAB-stationer.

FM: – stiller ind på en station

- ⑥ **VOLUME +/-** – justerer lydstyrken

⑦ LCD display

– viser DAB- og FM-radiooplysninger

Bagpanel (se 1)

- ⑧ **Telescopic antenna**
– forbedrer DAB- og FM-modtagelse
- ⑨  – 3,5 mm stik til stereohovedtelefon
Nyttige tip: Lyden slås fra når hovedtelefonerne tilsluttes enheden.
- ⑩ **AC MAINS**
- ⑪ **Batteridæksel** – til 6 x 1,5 V **R-14/- UM-2/- C-batterier**

ADVARSEL

Højspænding! Bør ikke åbnes. Du kan få elektrisk stød. Maskinen indeholder ingen dele, der kan repareres af brugeren.

Ændring af produktet kan resultere i farlig stråling af EMC eller anden usikker betjening.

Enheden opfylder EU-krav vedrørende radiointerferens.

Strømforsyning

Brug netstikket, når det er muligt, hvis du ønsker at forlænge batterilevetiden. Sørg for at tage stikket ud af enheden og stikkontakten, før du indsætter batterier.

Batterier (medfølger ikke)

- 1 Åbn batteridækslet, og isæt 6 batterier af typen **R-14**, **UM-2** eller **C**, (helst alkaline), og sørg for, at polariteten er korrekt som angivet ved symbolerne "+" og "-" i batterirummet (Se 1).
- 2 Sæt batteridækslet på plads, og sørg for, at batterierne sidder korrekt. Enheden er nu klar til brug.
 - Forkert brug af batterier kan forårsage lækage og vil ætse batterirummet eller få batterierne til at sprænge:
 - Bland ikke batterier af forskellig type: f.eks. alkaline med brunnstensbatterier. Brug kun batterier af samme type til enheden.

Forsøg ikke at blande gamle batterier med nye, når du isætter nye batterier.

- Fjern batterierne, hvis enheden ikke skal bruges i lang tid.

Batterier indeholder kemiske stoffer, og de skal derfor bortskaffes på forsvarlig vis.

Brug af vekselstrøm

- 1 Kontroller om spændingen, **som vist på identifikationspladen bag på enheden**, svarer til den lokastrømforsyning. Hvis ikke, skal du kontakte forhandleren eller dit servicecenter.
 - 2 Slut den medfølgende adapter til **AC MAINS** (på bagpanelet) og stikkontakten. Enheden er nu tilsluttet og klar til brug.
 - 3 Tag strømadapteren ud af stikkontakten for at slukke fuldstændigt for enheden.
- Installer enheden nær stikkontakten, og hvor det er let at nå strømadapteren.
 - Tag strømadapteren ud af stikkontakten for at beskytte enheden under kraftige torden.
 - AC/DC-adapteren bruges som afbryderenhed. Den skal være til at kunne betjene og må ikke spærres under brug. For at være helt afbrudt fra forsyningslysnettet, skal AC/DC-adapteren på apparatet være helt frakoblet lysnettets stikkontakt.

Identifikationspladen findes bag på apparatet.

Generelle oplysninger

Om DAB (Digital Audio Broadcasting)

DAB-digitalradio er en ny metode til at sende radioprogrammer via et netværk af jord-baserede sendere. Lytterne får flere valgmuligheder, og oplysninger leveret i tydelig, støjfri lyd kvalitet.

- Teknologien gør det muligt for modtageren at koble sig til det stærkeste signal den kan finde.

- Med digitale DAB-stationer er der ingen frekvenser at huske, og enheder er indstillet efter stationsnavn, så der er intet behov for indstilling på farten.

Hvad er et multipleks?

Digital radio udgøres af en enkelt blok frekvenser, som kaldes et multipleks. Hver multipleks fungerer inden for et frekvensspektrum, som f.eks. Bånd III til DAB-udsendelser.

Nyttige tip:

- Du kan kun modtage DAB-stationer inden for dit DAB-transmissionsområde.

DAB-radiostationer og DLS

Hver DAB-radiostation (eller multipleks-operatør) leverer også tekst- og lyd datatjenester. Visse programmer understøttes af Dynamic Label Segments (DLS). Det er data, som du kan læse som løbende tekst på

DAB-radioens display. Nogle stationer sender de seneste nyheder, rejseoplysninger og vejret, oplysninger om hvad der sker nu og senere, webadresser og telefonnumre.

Yderligere oplysninger om dækning og tjenester for digital radio finder du på www.drdb.org

Grundlæggende betjening

- 1 Tryk på **POWER** for at tænde for enheden.
→ LCD-skærmen lyser.
 - 2 Tryk på **POWER** for at vælge DAB eller FM-tilstand.
→ Radioen stiller ind på en DAB-station, hvis der er valgt DAB-tilstand.
→ Radioen stiller ind på en FM-station, hvis der er valgt FM-tilstand.
 - 3 For at justere lydstyrken skal du trykke på **VOLUME +/-**.
 - 4 For at forbedre DAB/FM-mottagelsen skal du trække den teleskopiske antenne ud og vende den. Reducer længden, hvis signalet er for kraftigt.
- For at forbedre DAB-mottagelsen endnu mere kan du udføre en manuel indstilling (se **Manuel indstilling**)

Nyttige tip:

- Hvis der ikke er tilgængelig DAB-dækning på det aktuelle tidspunkt, eller hvis DAB-signalet er for svagt i dit område, kan der ikke findes en DAB-station og der vil blive vist en oplysning såsom "Station er ikke tilgængelig"

Nedtoning af LCD-lysstyrke

- 1 Tryk og hold **DISPLAY** nede i 2 sekunder for at slå Dm til eller fra.
→ Auto dim on bliver aktiveret, hvis dim-funktionen er slået fra i den forrige indstilling.
→ Auto dim off bliver aktiveret, hvis dim-funktionen er slået til i den forrige indstilling.
- 2 Hvis Dim-funktionen er aktiveret, og der er 15 sekunder, hvor knapperne ikke bliver brugt, vil LCD-lysstyrken blive lavere for at spare strøm. Når der bliver trykket på en vilkårlig knap, vender den tilbage til den oprindelige LCD-lysstyrke.

Sådan aktiveres DAB-radio

Når DAB-tilstanden aktiveres for første gang, vil AE5000 udføre en auto-scan (se [2]). Så bliver alle tilgængelige DAB-stationer gemt på enheden og radioen vil stille ind på den første tilgængelige station.

- 1 Tryk på **POWER** for at tænde for enheden.
→ LCD-skærmen lyser.
- 2 Tryk på **SOURCE** for at vælge DAB hvis "FM" vises på skærmen.
→ "**Philips DAB & FM Radio**" vises et øjeblik (se [3]), og så stiller radioen automatisk ind på en station.

Sådan skifter du DAB-stationer

- 1 I DAB-tilstand skal du trykke på ◀/▶ gentagne gange, indtil navnet på den ønskede station vises.
→ Den valgte stations navn vises på den anden linje på displayet.
- 2 Tryk på **SELECT** for at bekræfte.
→ Radioen indstilles med det samme til den valgte station.

Om display-symboler til stationer

Du kan måske se nogle af de følgende symboler stå foran stationernes navne:

?:Symbolet angiver, at stationen ikke er tilgængelig i øjeblikket, eller at den ikke er aktiv.

>>:Symbolet angiver, at stationen er en primær station med sekundær service.

>>>:Symbolet angiver, at stationen er en sekundær station.

DAB-radio

Sådan scanner du efter DAB-stationer

Nye stationer og services bliver jævnligt tilføjet i DAB-udbudet. For at gøre nye DAB-stationer og service tilgængelige på din DAB-radio er det nødvendigt at foretage en søgning.

DAB-scanning:

- I DAB-tilstand skal du trykke kort på **SCAN** for at foretage en søgning i et større område (fuld scanning) efter DAB-stationer.

Sådan gemmes faste DAB-forudindstillinger

Du kan forudindstille op til 5 DAB-stationer på forudindstillingsknappen for nem adgang.

- 1 I DAB-tilstand skal du trykke på ◀ / ▶ gentagne gange, indtil navnet på den ønskede station vises.
- For at vælge en ønsket DAB-station kan du også udføre en manuel indstilling (se **manuel indstilling**).
- 2 Tryk på **PRESET** én gang, og tryk derefter på ◀ / ▶ for at vælge forudindstillede numre.
- 3 Tryk på og hold knappen **PRESET** ovenpå enheden nede for at gemme den faste station.
→ "Preset ∴ Saved" (Indstilling gemt) (∴ angiver forudindstillede numre) vises kort på den anden linje på displayet.

Nyttige tips:

- Hvis du allerede har gemt en DAB-station på den forudindstillingsplacering vil den blive slettet af en ny station.
- Når du gemmer DAB-stationer, vil disse ikke slette dine FM-forudindstillinger.

Å velge ut en forvalgt DAB stasjon

- 1 I DAB-tilstand skal du trykke på **PRESET** ovenpå enheden.
- 2 Tryk på ◀ / ▶ for at vælge de faste indstillinger

1-5.

- 3 Tryk på **SELECT** (Vælg) for at bekræfte valget.

Nyttige tips:

- Hvis du endnu ikke har gemt en DAB-station i en af forudindstillingerne vil "Empty preset" (Tom forudindstilling) blive vist i displayet. Displayet vil vende tilbage til den tidligere valgte station efter nogle få sekunder.

Sådan gendannes fabriksindstillingerne (også tilgængelig i FM-tilstand)

Når fabriksindstillingerne gendannes, slettes alle de forudindstillede stationer.

- 1 I DAB- eller FM-tilstand skal du trykke på og holde **MENU** nede.
→ "Press SELECT to confirm reset" (Tryk på VÆLG for at bekræfte forudindstilling) vises.
- 2 For at gendanne skal du trykke på **SELECT** (Vælg).
→ Alle forudindstillingerne slettes og "Philips DAB & FM Radio" vises.
- Hvis du ikke vil gendanne, skal du vente nogle sekunder indtil "Press SELECT to confirm reset" (Tryk på VÆLG for at bekræfte forudindstilling) forsvinder.
→ Radioen vil vende tilbage til den tidligere betjeningsstatus.

Sådan ændres DAB-stationens oplysninger

Under DAB-transmission på vises i første linje et stationsnavn og serviceoplysninger for den aktuelle station vises i anden linje. Du kan vælge mellem 7 typer oplysninger.

- Tryk på **INFO** gentagne gange for at gennemgå display-oplysningerne i den følgende rækkefølge (Se [7], tag "BBC Radio 5 Live" som et eksempel på et stationsnavn):

DAB-radio

- ①: **Dynamic Label Segment (DLS):** Dette er rulletekstopslysninger der udgives af DAB-stationen, såsom musiktitler eller oplysninger om programmet.
- ②: **Program Type (PTY):** Dette er en beskrivelse af programtypen, der udgives af DAB-stationen og radiostationen.
- ③: **Multiplex Name: (Mupleks-navn)**
Dette vil vise den multipleks, der sender programmet du lytter til.
- ④: **Time and Date (Klokkeslæt og dato):**
Dette viser klokkeslæt og dato, udbudt af radiostationen.
- ⑤: **Channel and Frequency (Kanal og frekvens):** Dette viser nummeret på kanalen og transmissionsfrekvensen.
- ⑥: **Signal information (Signaloplysninger).** Dette viser den digitale bit-hastighed og signaltilstanden.
- ⑦: **Signal Error Rate (Signalfejlsrate):**
Hvis transmissionens signal indeholder fejl, kan systemet udføre udbedring. Omfanget af signaludbedring kan vises som en numerisk værdi mellem 0 og 99. I takt med at værdien stiger, vil signalet blive svagere. For at forbedre modtagelsen kan du forsøge at justere antennens position.

Sådan bruger du MENU-funktionen

Menu-funktionen giver dig adgang til DAB-radioens opsætningsindstillinger.

- 1 I DAB-tilstand skal du trykke på **MENU** for at åbne menuindstillingerne.
→ Den første opsætningsmulighed "**Manual tune**" (Manuel indstilling) vises.
- 2 Tryk på ◀/▶ for at navigere op og ned i menupunkterne:
Manual tune - > Autoscan local - >
Autoscan full - > DRC value -> Sw version
- 3 For at vælge et punkt skal du trykke på **SELECT (Vælg)**.
- 4 Gentag trin **2-3**, hvis der er underpunkter under et punkt.

Manuel indstilling

Ved at bruge denne funktion, kan du stille ind på en specifik kanal/frekvens manuelt. Endvidere kan du, når du leder efter bedre radiomodtagelse med antennen, få den optimale modtagelse ved at bruge denne funktion.

- 1 I DAB-tilstand skal du trykke på **MENU** for at få vist punktet "**Manual tune**" (Manuel indstilling).
- 2 Tryk på **SELECT (Vælg)** for at vælge.
→ Displayen viser en kanal og tilhørende frekvens.
- 3 Tryk på ◀/▶ gentagne gange indtil den ønskede kanal/frekvens kommer vises.
- 4 Tryk på **SELECT** for at bekræfte valget.
→ Den anden linje i displayet viser den valgte kanal og dens frekvens. Den første linje i displayet viser en firkant. Firkantens position angiver graden af signalstyrke (Jo længere mod højre, desto højere signal-styrke. Se [4]).
- 5 Juster antennens position for at opnå den optimale signalstyrke.
- 6 Tryk på **SELECT (Vælg)** for at vende tilbage til den normale displayvisning.
→ Du kan trykke på **DISPLAY** for at ændre serviceoplysningerne på displayet.

Dynamic Range Control (DRC)

DRC tilføjer eller fjerner grader af kompensering for differencerne i frekvensområdet mellem radiostationer. F.eks. kan en station, der sender popmusik anvende en høj grad af kompensering, da fokus er på et konstant højt lyd-niveau, mens en station, der sender klassisk musik vil have langt mindre eller ingen kompensering, da lytteren skal kunne høre alle lyd-niveauer i musikken for at kunne høre detaljerne. Der findes tre kompensationsniveauer:

DRC 0: Ingen kompensering.

DRC 1: Maks. kompensering (Dette er standarden).

DRC1/2: Middel kompensering.

- 1 I DAB-tilstand skal du trykke på **MENU** for at åbne menuens punkter:
- 2 Tryk på ◀/▶ gentagne gange, indtil "**DRC value**" (DRC-værdi) vises
- 3 Tryk på **SELECT (Vælg)** for at åbne undermenuen.
→ Det aktuelle DRC-niveau vises på den første linje.
- 4 Tryk på ◀/▶ for at vælge en af de DRC-værdier (DRC 0, DRC 1 og DRC1/2), der er vist på anden linje.
- 5 Tryk på **SELECT (Vælg)** for at bekræfte valget, når den rigtige værdi vises.
→ Du skulle kunne høre forskellen i komprimeringen med det samme.

Nyttige tips:

- Den bedste måde at bestemme hvilken af DRC-værdiindstillingerne, der passer bedst til dig, er ved at eksperimentere med dem på et udvalg af forskellige kilder.

Autoscan local

- 1 I DAB-tilstand skal du trykke på **MENU** for at komme til menuindstillingerne.
- 2 Tryk på ◀/▶ flere gange, indtil "**Autoscan local**" (Lokal autoscanning) vises.
- 3 Tryk på **SELECT (Vælg)** for at bekræfte valget.
→ Den lokale søgning efter DAB-station(er) vil blive udført.

Autoscan full

- 1 I DAB-tilstand skal du trykke på **MENU** for at komme til menuindstillingerne.
- 2 Tryk på ◀/▶ flere gange, indtil "**Autoscan full**" vises.
- 3 Tryk på **SELECT (Vælg)** for at bekræfte valget.
→ Søgningen i et større område (fuld scanning) efter DAB-station(er) vil blive udført.

Nyttige tips:

- Hvis du udfører en DAB-scanning, gendannes de(n) fjernede station(er) i valglisten, hvis stationen bliver aktiveret igen.

Softwareversion

Dette forekommer kun som versionsnummeret i dette produkt.

FM-radio

Sådan tændes FM-radioen

- 1 Tryk på **POWER** for at tænde for enheden.
→ LCD-skærmen lyser.
- 2 Tryk på **SOURCE** for at vælge FM hvis "FM" ikke vises på displayet.
→ Bølgebånd og radiofrekvens vises (se **5**).

Indstilling af radiostationer

- 1 I FM-tilstand skal du trykke på **SCAN** indtil frekvensnummeret kører.
→ Radioen stiller automatisk ind på en station med høj signalstyrke, og søgningen slutter.
- 2 For at stille ind på en svag station skal du trykke på ◀/▶, indtil der findes en optimal modtagelse.
- 3 Gentag de ovenstående trin indtil du finder den ønskede station.

Nyttige tips:

- Før du trykker på **SCAN**, kan du først trykke på ▶ for at vælge en scan op, eller du kan trykke på ◀ for at vælge scan ned.

Sådan gemmer du FM-forudindstillinger

Du kan forudindstille op til 5 FM-stationer på forudindstillingsknappen for nem adgang.

- 1 I FM-tilstand skal du stille ind på den ønskede radiostation (Se "Indstilling af radiostationer").
- 2 Tryk på **PRESET** én gang, og tryk derefter på ◀/▶ for at vælge forudindstillede numre.
- 3 Tryk på og hold knappen **PRESET** ovenpå enheden nede for at gemme den faste station.
→ "**Preset** ✕ **Saved**" (Indstilling gemt) (✕ angiver forudindstillede numre) vises kort på den anden linje på displayet. Og det gemte forudindstillede nummer vises (se **6**).

Nyttige tips:

- Hvis du allerede har gemt en FM-station på den forudindstillingsplacering vil den blive slettet af en ny station.
- Når du gemmer FM-stationer, vil disse ikke slette dine DAB-forudindstillinger.

Sådan sletter du en forudindstillet FM-station

- 1 I FM-tilstand skal du trykke på **PRESET** ovenpå enheden.
- 2 Tryk på ◀/▶ for at vælge de faste indstillinger 1-5.
- 3 Tryk på **SELECT** (Vælg) for at bekræfte valget.

Norge

Typeskilt findes på apparatets underside.

Observer: Nettbryteren er sekundært innkopleet. Den innebygde nettdelen er derfor ikke frakopleet nettet så lenge apparatet er tilsluttet nettkontakten.

For å redusere faren for brann eller elektrisk støt, skal apparatet ikke utsettes for regn eller fuktighet.

Oplysninger om sikkerhed og vedligeholdelse

- Placer enheden på en flad, hård og stabil overflade, så den ikke vælter.
- Hvis MAINS-stikket eller et apparatstik bruges til at afbryde enheden, forbliver enheden parat til betjening.
- Udsæt ikke enheden, batterierne og CD'er for fugt, regn, sand eller ekstrem varme fra varmeudstyr eller direkte sollys.
- Apparatet må ikke udsættes for dryp eller sprøjt.
- Der skal være tilpas med ventilation, med en afstand på min. 15 cm mellem ventilation-

shullerne og de omgivende overflader for at forebygge varmeudvikling.

- Tildæk ikke ventilationshullerne med ting, såsom aviser, duge, gardiner og lign.
- Der må ikke stilles ting, der indeholder væsker, såsom vaser, på apparatet.
- Der må ikke komme åben ild, såsom tændte stearinlys, i nærheden af apparatet.
- De mekaniske dele i enheden indeholder selvslemmende lejer og skal ikke have olie eller smøres.
- Brug en blød tør klud til at rengøre enheden. Brug ikke rengøringsmidler med alkohol, ammoniak benzen eller slibemidler, da de kan gøre skade på kabinettet.

Høresikkerhed

Lyt ved moderat lydstyrke.

- Brug af hovedtelefoner ved høj lydstyrke kan skade hørelsen. Dette produkt kan frembringe lyd med så høje decibelværdier, at det kan forårsage høreskader for en normalt hørende person, også selv om det kun foregår i mindre end et minut. De høje decibelværdier er for at imødekomme de personer, der allerede lider af nedsat hørelse.
- Lyd kan snyde. Efter et stykke tid vil dine ører vænne sig til høj lyd og tilpasse sig en mere kraftig lydstyrke. Så det, der efter længere tids lytning forekommer normalt, kan faktisk være meget højt og skadeligt for hørelsen. Hvis du vil undgå det, kan du indstille lydstyrken til et fornuftigt niveau, før din hørelse vænner sig til lydstyrken, og så lade være med at skruer op.

Sådan indstilles lydstyrken til et fornuftigt niveau:

- Indstil lydstyrken til et lavt niveau.
- Øg langsomt lydstyrken, til den når et behageligt niveau, hvor du kan høre lyden klart uden forvrængning.

Undlad at lytte i for lange perioder ad gangen:

- For lang tids udsættelse for lydpåvirkning, selv ved et fornuftigt niveau, kan også forårsage hørenedsættelse.
- Sørg for at anvende udstyret på en fornuftig måde, og hold passende pauser.

Overhold følgende retningslinjer, når du anvender dine hovedtelefoner.

- Lyt ved en fornuftig lydstyrke i kortere tidsrum.
- Vær omhyggelig med ikke at justere på lydstyrken undervejs, da din hørelse tilpasser sig lydniveauet.
- Undlad at skruer så højt op for lyden, at du ikke kan høre, hvad der foregår omkring dig.
- Du bør være ekstra forsigtig eller slukke midlertidigt i potentielt farlige situationer.
- Undlad at bruge hovedtelefonerne, mens du fører et motoriseret køretøj, cykler, står på skateboard o.l., da det kan føre til farlige situationer i trafikken. Desuden er det ulovligt i mange områder

Fejlfinding

Hvis der opstår fejl, skal du gennemgå punkterne nedenfor; inden du indleverer enheden til reparation. Hvis du ikke kan løse problemet ved at følge vejledningen, skal du kontakte forhandleren eller servicecenteret.

ADVARSEL: *Undgå at åbne enheden, eftersom der kan være risiko for elektrisk stød. Du bør under ingen omstændigheder forsøge at reparere enheden selv, eftersom du kan risikere, at garantien bliver ugyldig.*

Problem

- Mulig årsag
- Afhjælpning

Der er ingen strøm på radioen.

- Strømforsyningen er ikke koblet korrekt til.
- Tilkobl strømadapteren korrekt.
- Batterierne er døde/ikke isat korrekt.
- Sæt nye batterier korrekt i.

Der er ingen lyd.

- Lydstyrken er ikke justeret.
- Juster lydstyrken.
- Der er sluttet hovedtelefoner til enheden.
- Afbryd hovedtelefonerne.
- Stationen er ikke tilgængelig i øjeblikket.
- Vent, indtil stationen bliver tilgængelig, eller stil ind på en ny station.

Meddelelsen "No station available" (Ingen station tilgængelig) vises.

- DAB-dækning er ikke tilgængelig i dit område i øjeblikket.
- Vent, indtil der er dækning igen.
- DAB-signalet er svagt.
- Stil radioen et andet sted eller juster teleskopantennens position.

Meddelelsen "Station off air" (Stationen sender ikke) vises.

- Stationen er utilgængelig i øjeblikket.
- Vent, indtil stationen sender igen, eller foretag en scanning ved at trykke på **SCAN** i DAB-tilstand.

Dårlig modtagelse

- Signalstyrken er svag.
- Stil radioen et andet sted, eller juster teleskopantennens position. For DAB kan du også foretage en manuel indstilling. Se Manuel indstilling

Jeg kan ikke høre den DAB-station, jeg har valgt.

- Der blev ikke trykket på **SELECT (Vælg)** sidste gang, der blev skiftet station, ved at trykke på ◀/▶.
- Tryk på **SELECT (Vælg)** for at stille ind på den valgte station.

Bemærk:

I tilfælde af en funktionsfejl pga. elektrostatisk udladning skal du blot nulstille produktet (det kan blive nødvendigt at tilslutte strømforsyningen igen) for at fortsætte på normal vis.

Miljøoplysninger

Al unødvendig emballage er udeladt. Emballagen kan nemt sorteres i tre materialetyper: karton, polystyren og plastik.

Produktet består af materialer, der kan genbruges, hvis det skilles af et specialfirma. Hold venligst øje med de lokale regulativer omkring bortskaffelse af emballage, brugte batterier og udtjent el-udstyr.

Bortskaffelse af udtjente produkter

Dit produkt er konstrueret og fremstillet af materialer og komponenter af høj kvalitet, der kan genbruges.

Når et produkt er mærket med dette overstregede affaldsbøttesymbol betyder det, at produktet er omfattet af EU-direktiv 2002/96/EC.

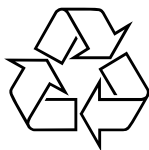


Undersøg reglerne for dit lokale indsamlingssystem for elektriske og elektroniske produkter.

Overhold gældende regler, og bortskaf ikke dine gamle produkter sammen med dit almindelige husholdningsaffald. Korrekt bortskaffelse af udtjente produkter er med til at forhindre negativ påvirkning af miljø og helbred.

Meet Philips at the Internet
<http://www.philips.com>

Dansk



AE5000



Printed in China

PDCC-ZC-0734