

Always there to help you
Register your product and get support at
www.philips.com/support

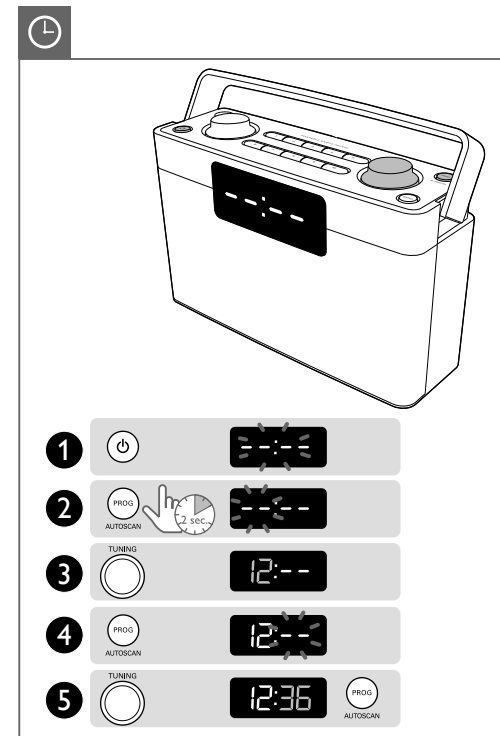
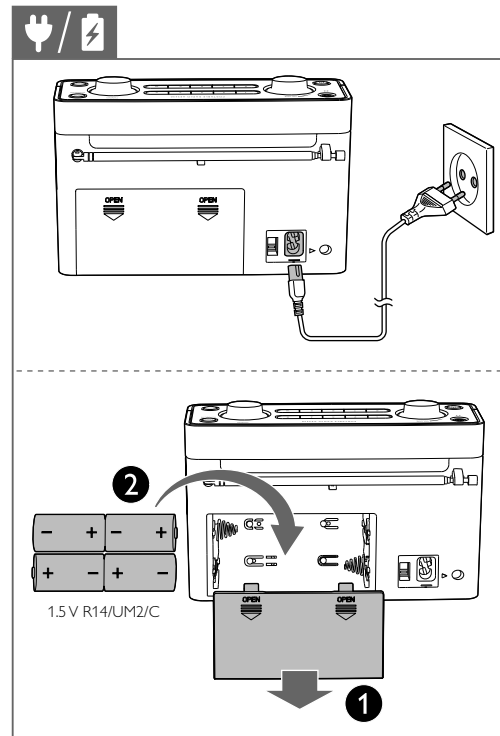
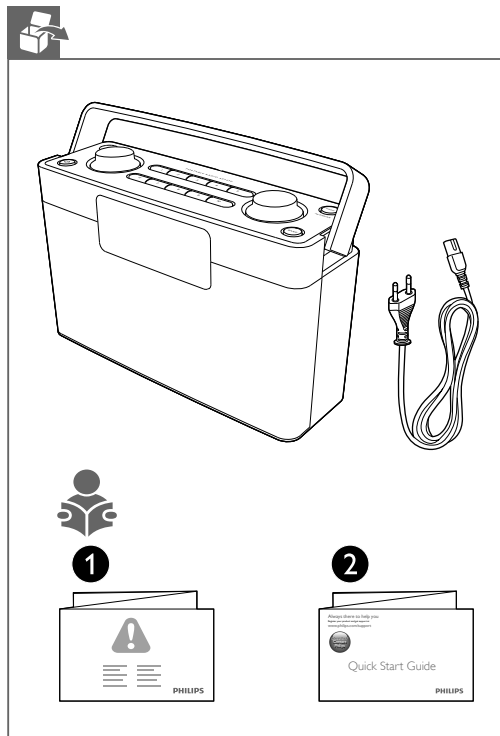
Question?
Contact
Philips

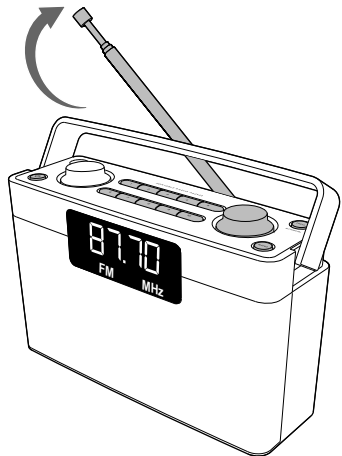
AE2430



Quick start guide

PHILIPS

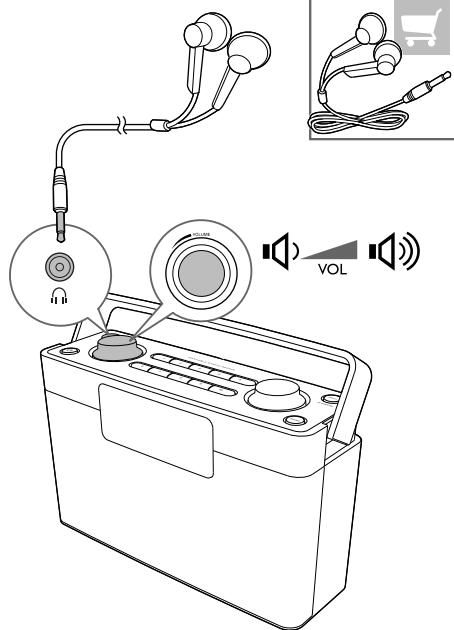




- 1 87.70
FM MHz
 - 2 FM / MW
 - 3 87.70
FM MHz
- ⋮
- 89.55
FM MHz



- 1 87.70
FM MHz
 - 2 FM / MW
 - 3 87.70
FM MHz
- ⋮
- 93.10 ①
FM MHz
- 4 1
- ⋮
- 10 ②
FM MHz



www.philips.com/support



Specifications are subject to change without notice.
This product has been manufactured by, and is sold under the responsibility of Gibson Innovations Ltd., and Gibson Innovations Ltd. is the warrantor in relation to this product. Philips and the Philips Shield Emblem are registered trademarks of Koninklijke Philips N.V. and are used under license.

AE2430_12_QSG_V1.0

