

Register your product and get support at
www.philips.com/welcome

AD330 (Black)

AD333 (White)



EN User manual

PHILIPS

Contents

1	Important	3
<hr/>		
2	Your Docking Speaker	3
	Introduction	3
	What's in the box	3
	Overview of the main unit	4
<hr/>		
3	Get started	5
	Connect power	5
<hr/>		
4	Play	5
	Play from iPod/iPhone	5
	Play from an external audio device	6
<hr/>		
5	Product information	6
	Specifications	6
<hr/>		
6	Troubleshooting	7
<hr/>		
7	Notice	7
	Disposal of your old product	8

1 Important

- Read these instructions.
- Heed all warnings.
- Follow all instructions.
- Do not use this apparatus near water.
- Do not block any ventilation openings. Install in accordance with the manufacturer's instructions.
- Do not install near any heat sources such as radiators, heat registers, stoves, or other apparatus (including amplifiers) that produce heat.
- Protect the power cord from being walked on or pinched, particularly at plugs, convenience receptacles, and the point where they exit from the apparatus.
- Only use attachments/accessories specified by the manufacturer.
- Unplug this apparatus during lightning storms or when unused for long periods of time.
- Refer all servicing to qualified service personnel. Servicing is required when the apparatus has been damaged in any way, such as power-supply cord or plug is damaged, liquid has been spilled or objects have fallen into the apparatus, the apparatus has been exposed to rain or moisture, does not operate normally, or has been dropped.
- Apparatus shall not be exposed to dripping or splashing.
- Do not place any sources of danger on the apparatus (e.g. liquid filled objects, lighted candles).
- Where the plug of the Direct Plug-in Adapter is used as the disconnect device, the disconnect device shall remain readily operable.



Warning

- Never remove the casing of this apparatus.
- Never place this apparatus on other electrical equipment.
- Ensure that you always have easy access to the power cord, plug or adaptor to disconnect the apparatus from the power.

2 Your Docking Speaker

Congratulations on your purchase, and welcome to Philips! To fully benefit from the support that Philips offers, register your product at www.philips.com/welcome.

If you contact Philips, you will be asked for the model and serial number of this apparatus. The model number and serial number are on the bottom of the apparatus. Write the numbers here:

Model No. _____

Serial No. _____

Introduction

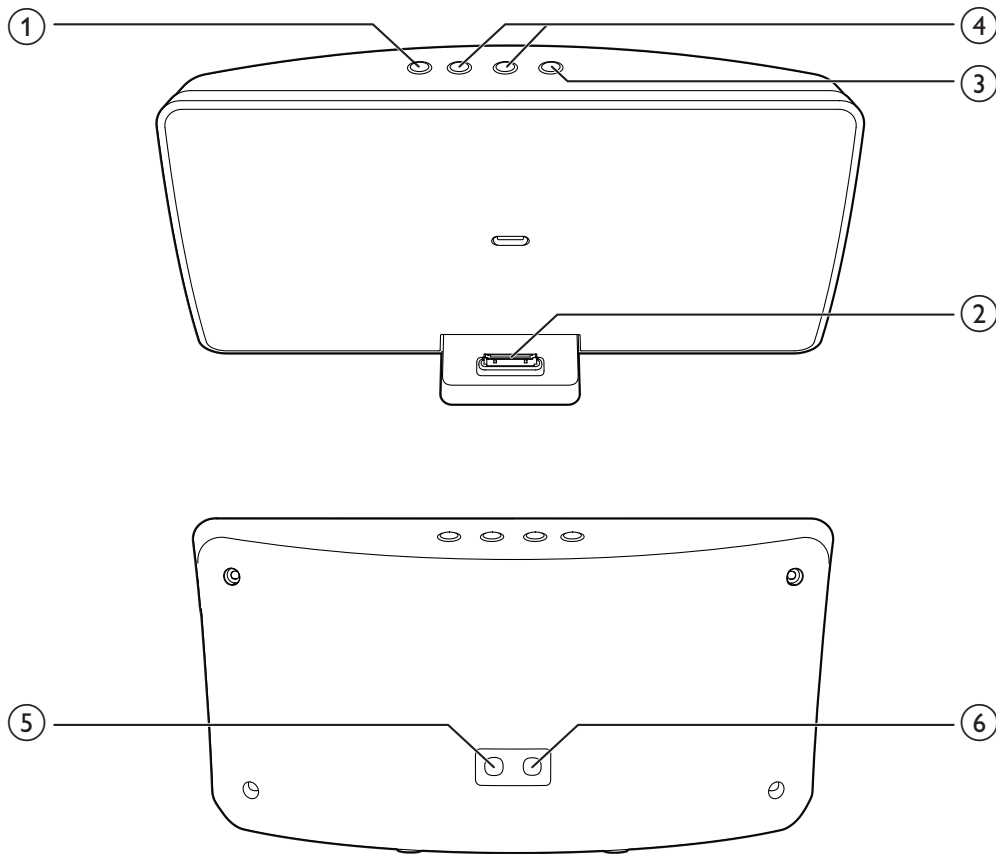
With this docking speaker, you can enjoy audio from the iPod/iPhone, and other external audio devices.



What's in the box

Check and identify the contents of your package:

- Main unit
- AC power adaptor
- Quick start guide
- Safety sheet.

Overview of the main unit



- ①  Mute sound.
- ② Dock for the iPod/iPhone
- ③  Start or pause play.
- ④ VOL +/- Adjust volume.
- ⑤ MP3-LINK
 - Connect an external audio device.
- ⑥ DC IN
 - Connect AC power.

3 Get started

Always follow the instructions in this chapter in sequence.

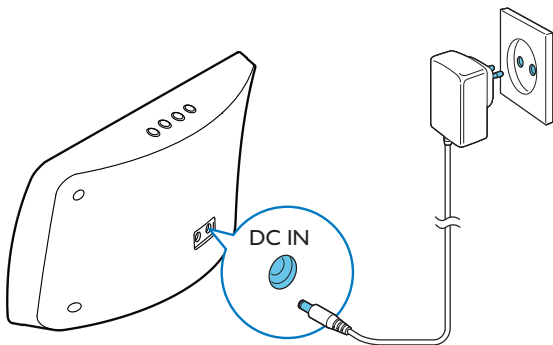
Connect power

Caution

- Risk of product damage! Make sure that the power supply voltage matches the voltage printed on the bottom of the docking speaker.
- Risk of electric shock! When you unplug the AC adaptor, always pull the plug from the socket. Never pull the cord.

Connect the AC power adaptor to:

- the **DC IN** socket at the back of the docking speaker.
- the wall outlet.



4 Play

Play from iPod/iPhone

You can enjoy audio from your iPod/iPhone through this docking speaker.

Compatible iPod/iPhone

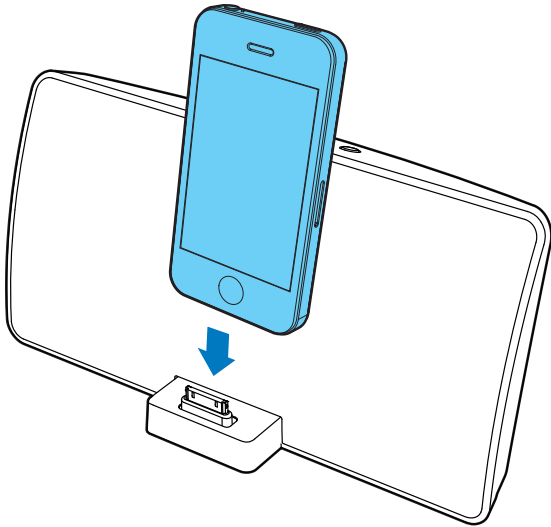
The docking speaker supports the following iPod and iPhone models:

Made for:

- iPod touch (1st, 2nd, 3rd, and 4th generation)
- iPod classic
- iPod nano (1st, 2nd, 3rd, 4th, 5th, and 6th generation)
- iPhone 4S
- iPhone 4
- iPhone 3GS
- iPhone 3G
- iPhone

Listen to the iPod/iPhone

- 1 Place an iPod/iPhone in the dock.
- 2 Play audio on the iPod/iPhone.
- 3 To adjust volume, press **VOL +/-**.
- 4 To mute, press **M**.



To remove the iPod/iPhone:
Pull the iPod/iPhone out of the dock.

Charge the iPod/iPhone

When the docking speaker is connected to power, the docked iPod/iPhone begins to charge automatically.

Play from an external audio device

Note

- Make sure that no iPod/iPhone is docked in the speaker.

- 1 Connect an MP3 link cable (not supplied) to:
 - the **MP3 LINK** socket at the back of the docking speaker.
 - the headphone socket on an external device.
- 2 Press **▶||** to play music on the device (see the device's user manual).

5 Product information

Note

- Product information is subject to change without prior notice.

Specifications

Amplifier

Total Output Power	8W
Signal to Noise Ratio	> 62 dBA
MP3 Link	650mV RMS

General information

AC Power	Model: AS110-080-AE130 (Philips); Input: 100-240V ~, 50/60Hz, 0.5A; Output: 8.0V === 1.3 A
Operation Power Consumption	15 W
Standby Power Consumption	<0.5 W
Max. load for iPod/iPhone	5 V === 1 A
Dimensions (W x H x D)	261 x 130 x 103 mm
Weight	
- Main Unit	0.9 kg
- With Packing	1.5 kg

6 Troubleshooting



Warning

- Never remove the casing of this apparatus.

To keep the warranty valid, never try to repair the system yourself.

If you encounter problems when using this apparatus, check the following points before requesting service. If the problem remains unsolved, go to the Philips web site (www.philips.com/support). When you contact Philips, ensure that the apparatus is nearby and the model number and serial number are available.

No power

- Ensure that the AC power adaptor of the unit is connected properly.
- Ensure that there is power at the AC outlet.

No sound

- Adjust the volume.

No response from the unit

- Disconnect and reconnect the AC power adaptor; then turn on the unit again.

7 Notice

Any changes or modifications made to this device that are not expressly approved by Philips Consumer Lifestyle may void the user's authority to operate the equipment.



This product complies with the radio interference requirements of the European Community.

Made for



iPod



iPhone

“Made for iPod” and “Made for iPhone” mean that an electronic accessory has been designed to connect specifically to iPod or iPhone respectively, and has been certified by the developer to meet Apple performance standards. Apple is not responsible for the operation of this device or its compliance with safety and regulatory standards. Please note that the use of this accessory with iPod or iPhone may affect wireless performance. iPod and iPhone are trademarks of Apple Inc., registered in the U.S. and other countries.

Disposal of your old product

Your product is designed and manufactured with high quality materials and components, which can be recycled and reused.

Never dispose of your product with other household waste. Please inform yourself about the local rules on the separate collection of electrical and electronic products and batteries.

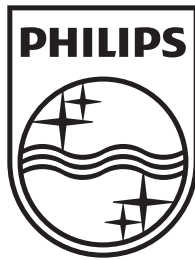
The correct disposal of these products helps prevent potentially negative consequences on the environment and human health.

Please visit www.recycle.philips.com for additional information on a recycling center in your area.

Environmental information

All unnecessary packaging has been omitted. We have tried to make the packaging easy to separate into three materials: cardboard (box), polystyrene foam (buffer) and polyethylene (bags, protective foam sheet.)

Your system consists of materials which can be recycled and reused if disassembled by a specialized company. Please observe the local regulations regarding the disposal of packaging materials, exhausted batteries and old equipment.



Specifications are subject to change without notice
© 2012 Koninklijke Philips Electronics N.V.
All rights reserved.

AD330/AD333_12_UM_V1.0

