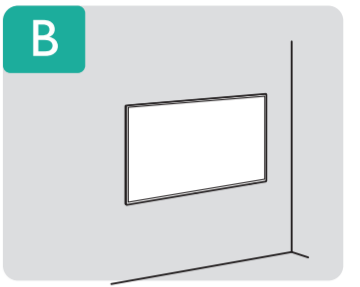
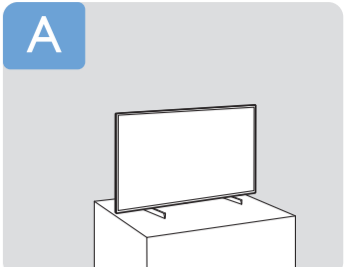
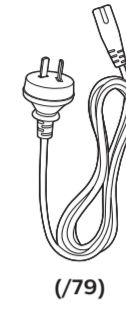
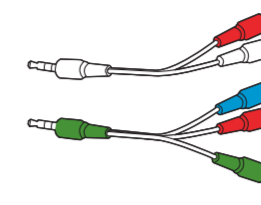
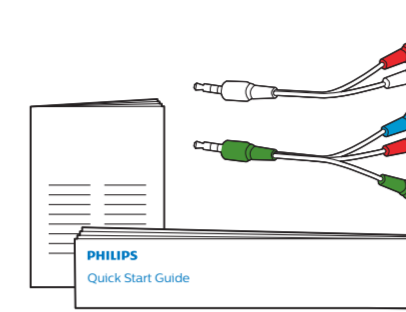
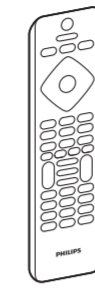
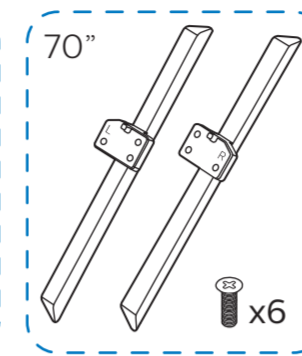
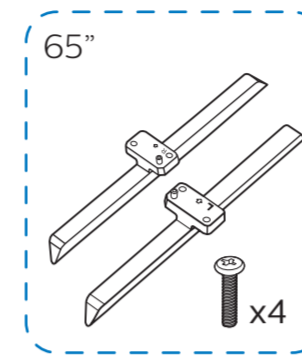
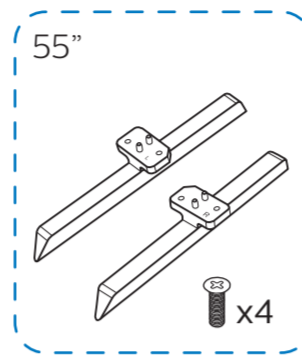
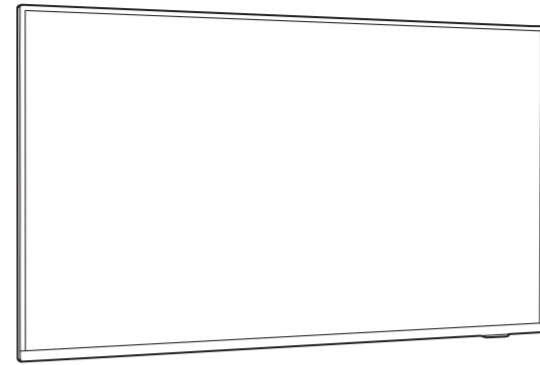
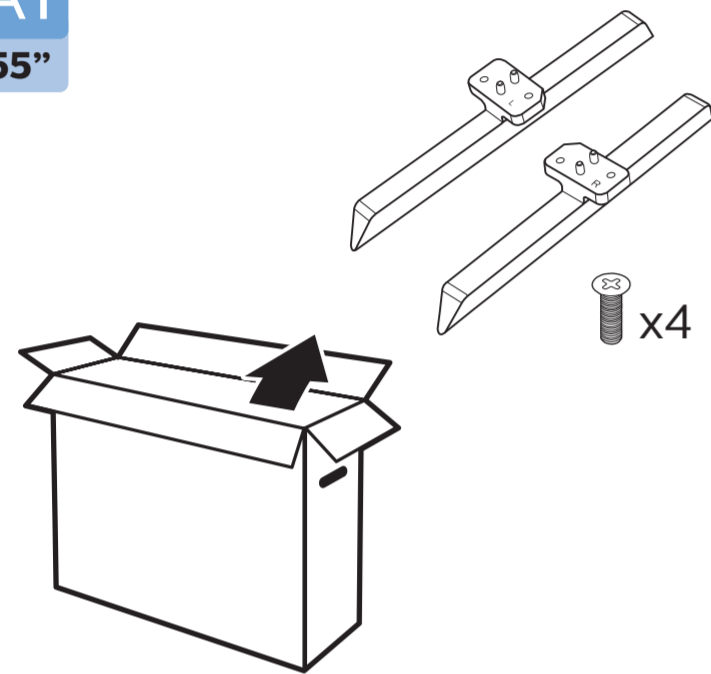


7374 Series Quick Start Guide

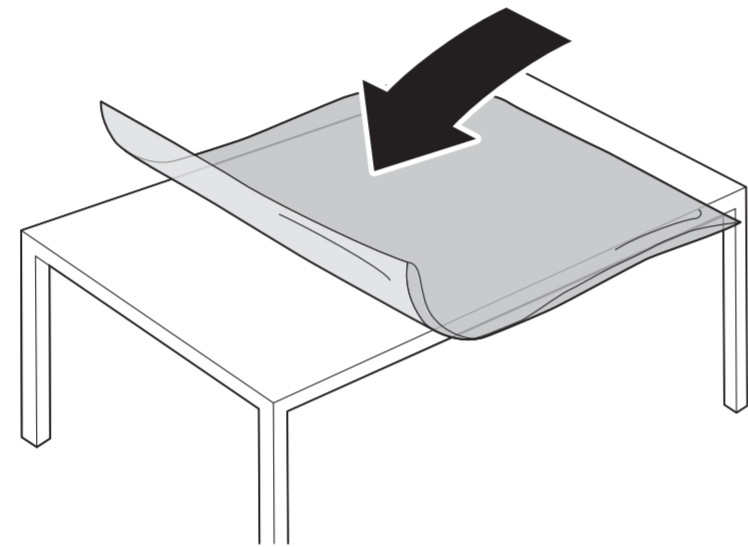


A1
55"

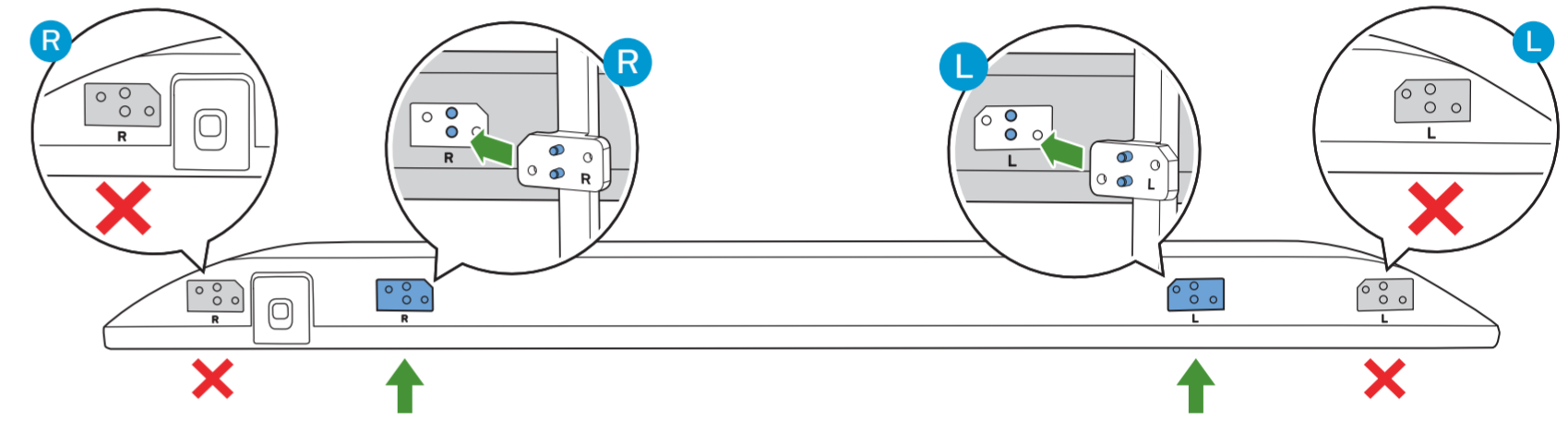
1



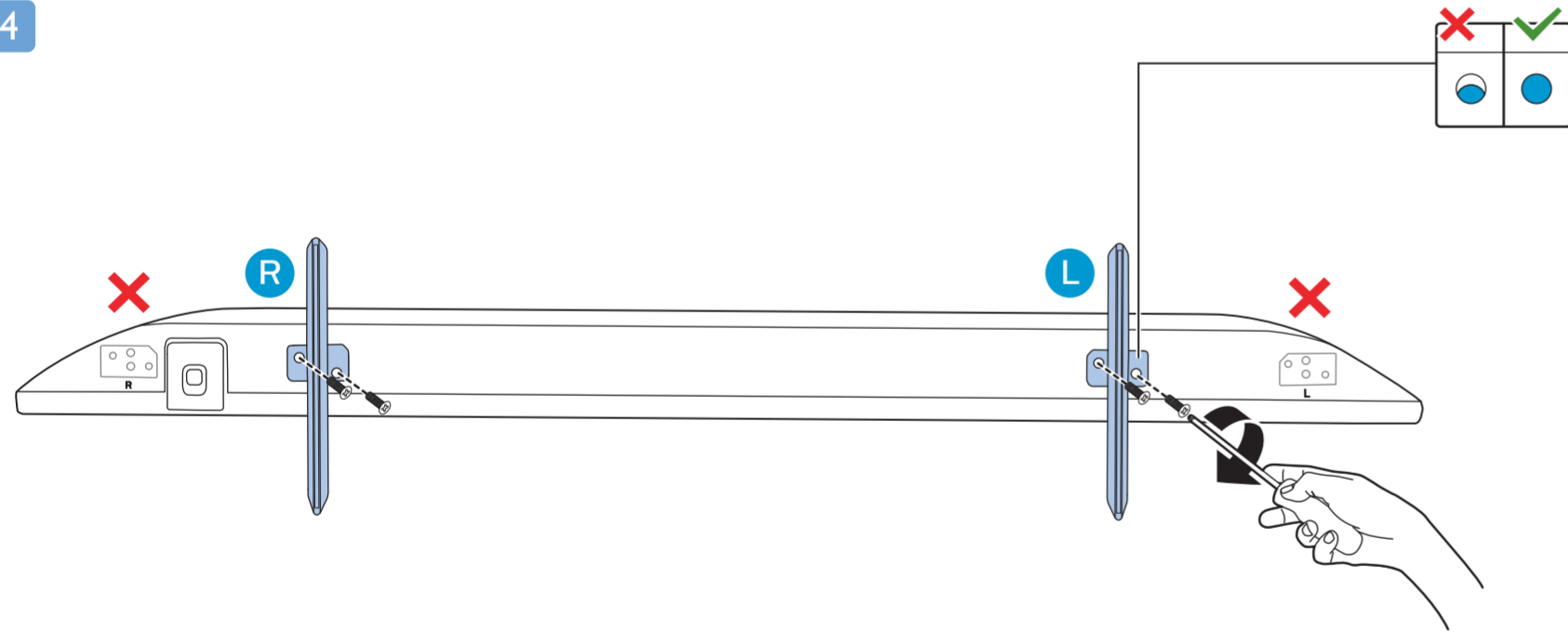
2



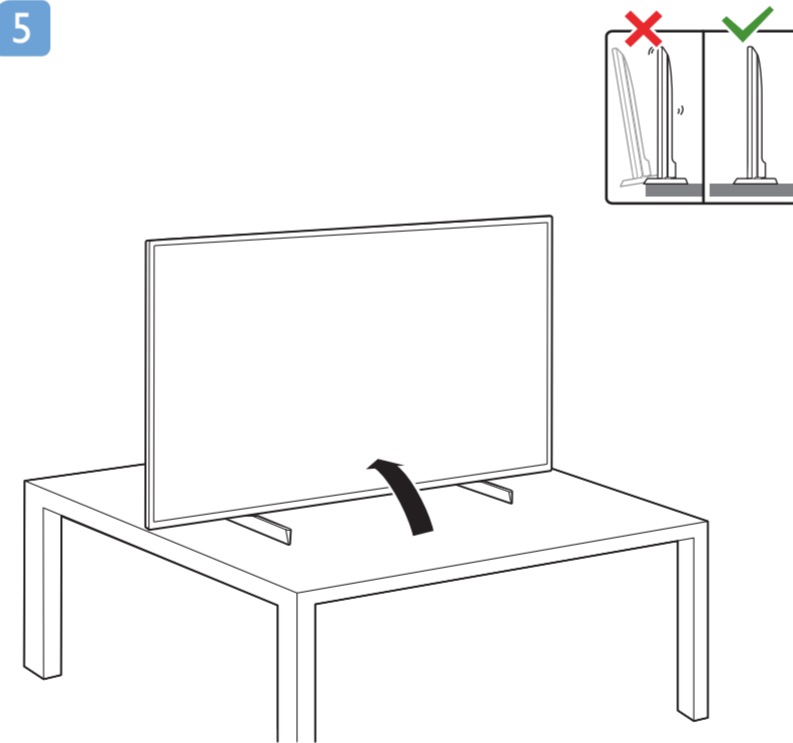
3



4

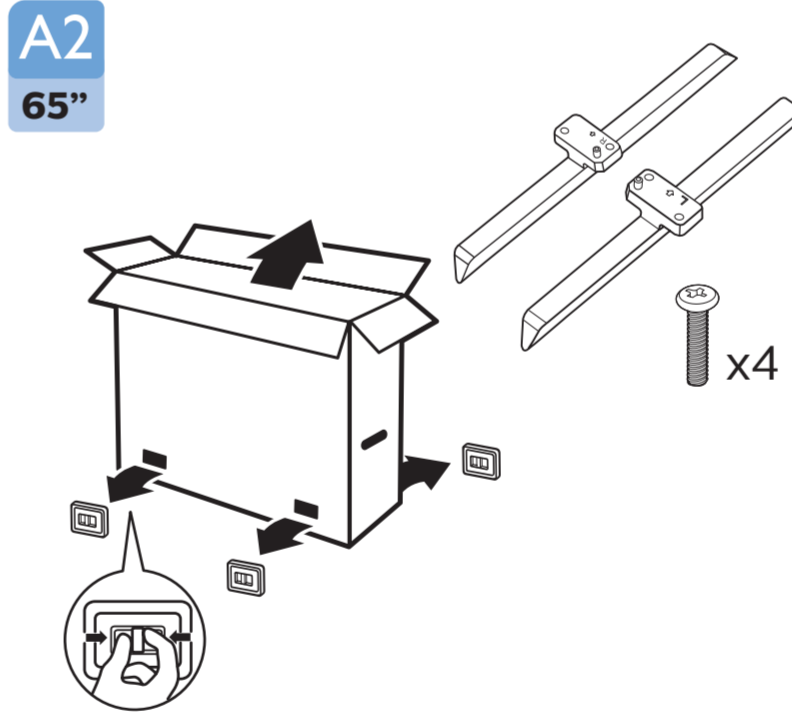


5

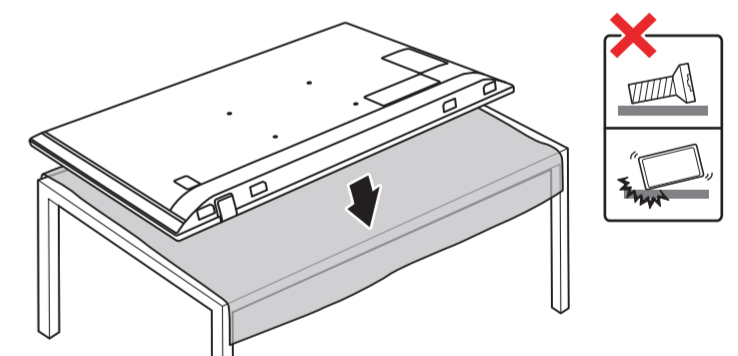


A2
65"

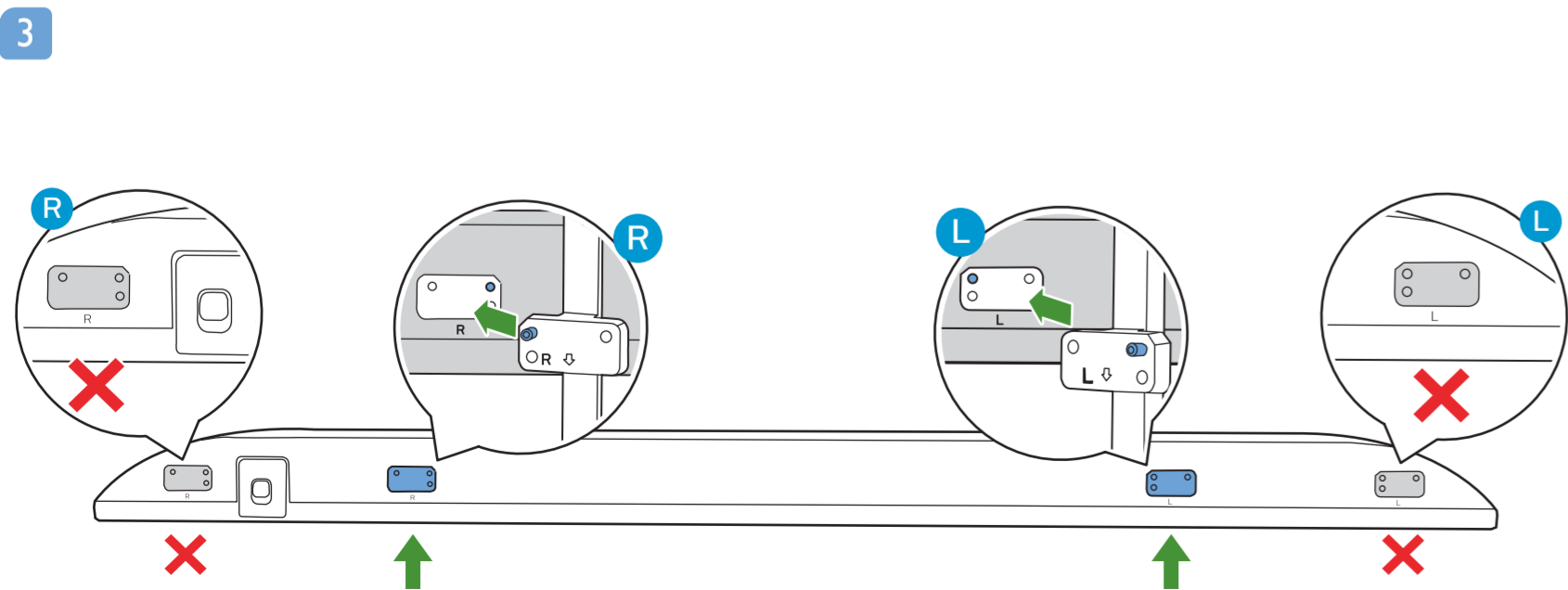
1



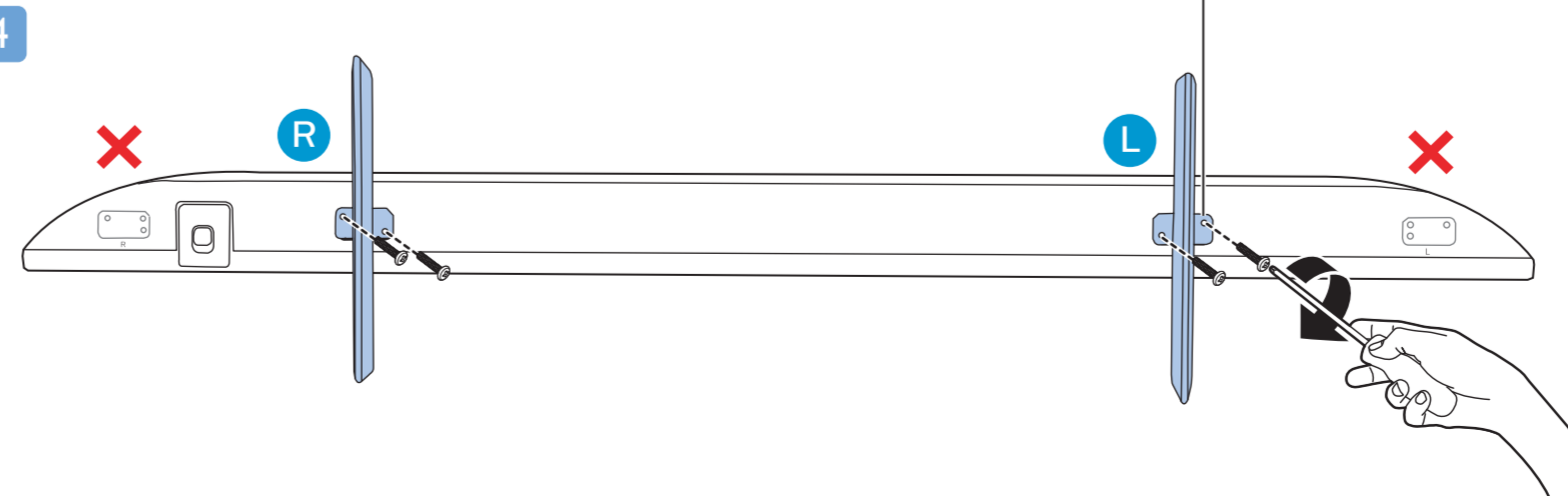
2



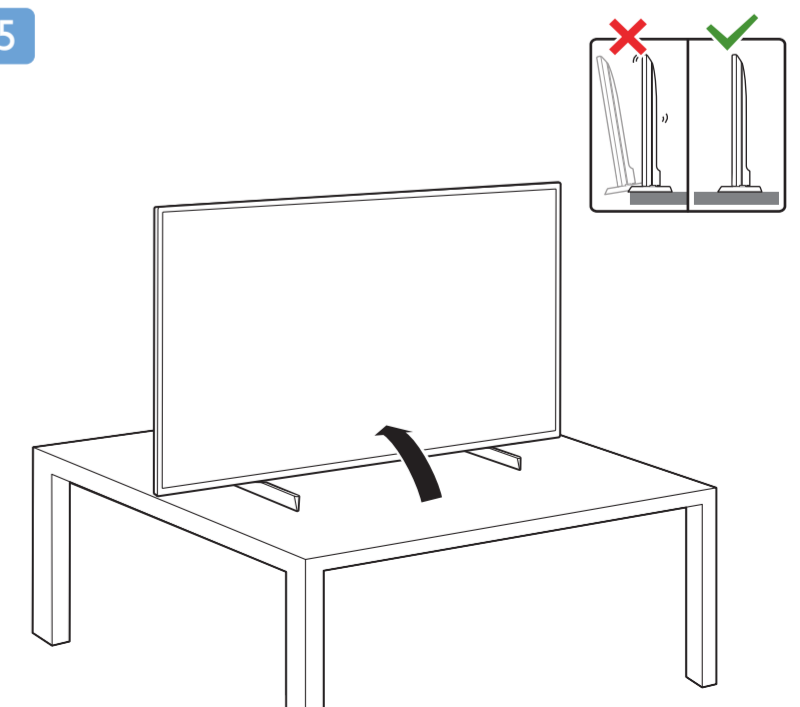
3



4

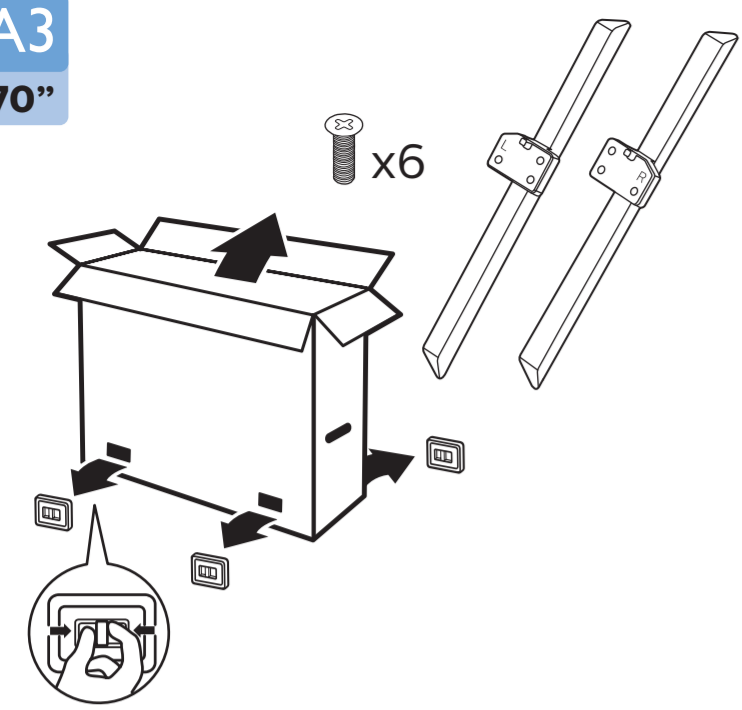


5

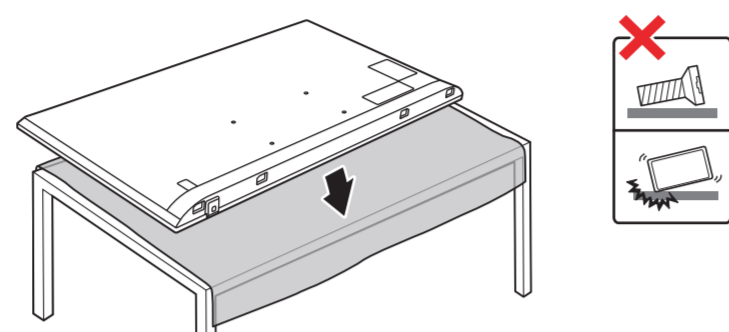


A3
70"

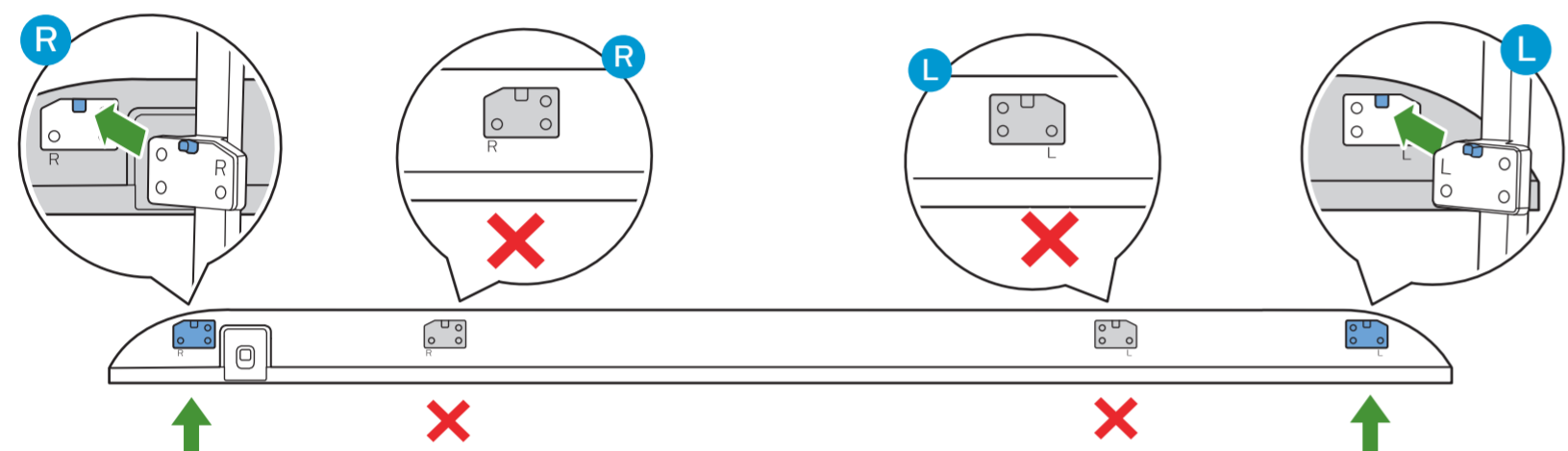
1



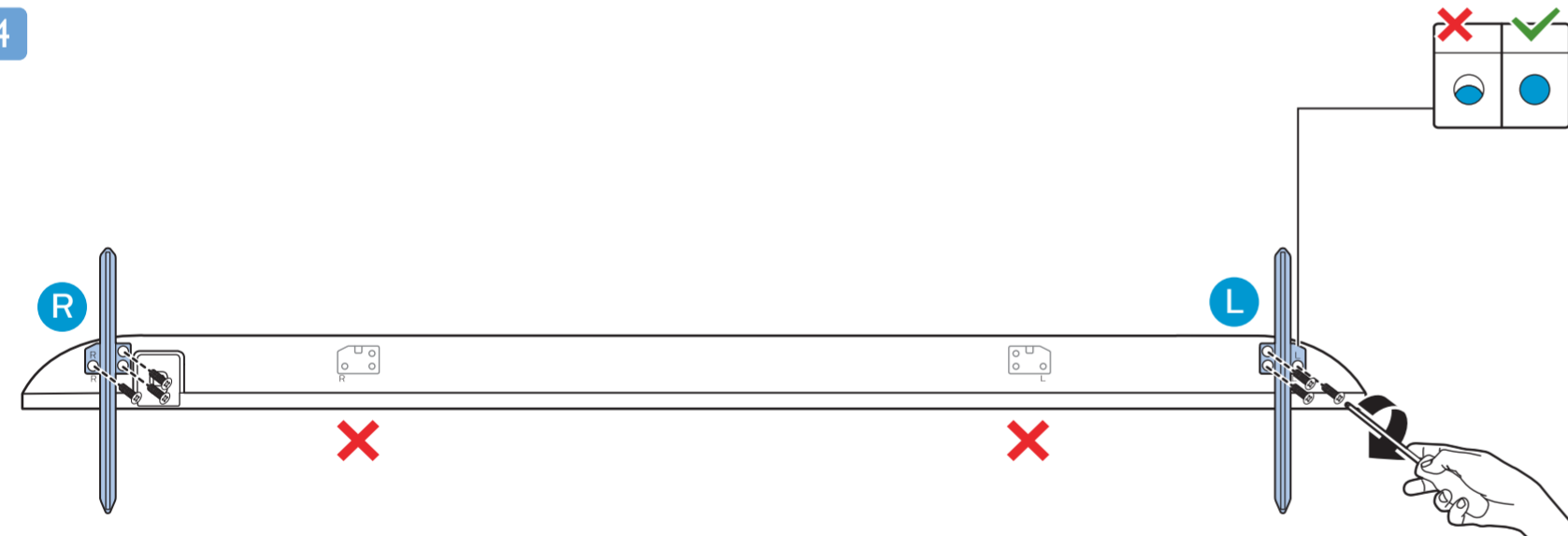
2



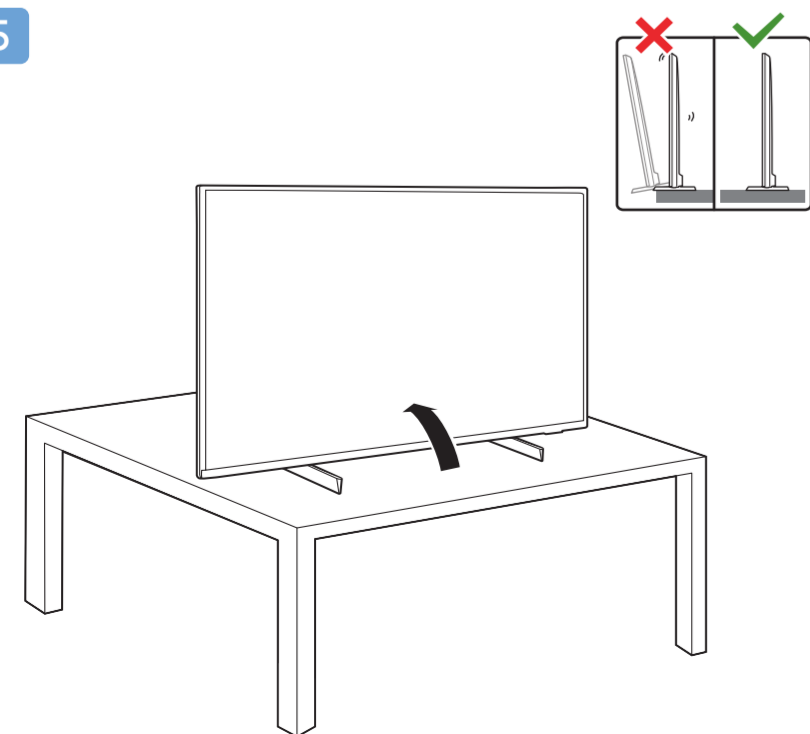
3



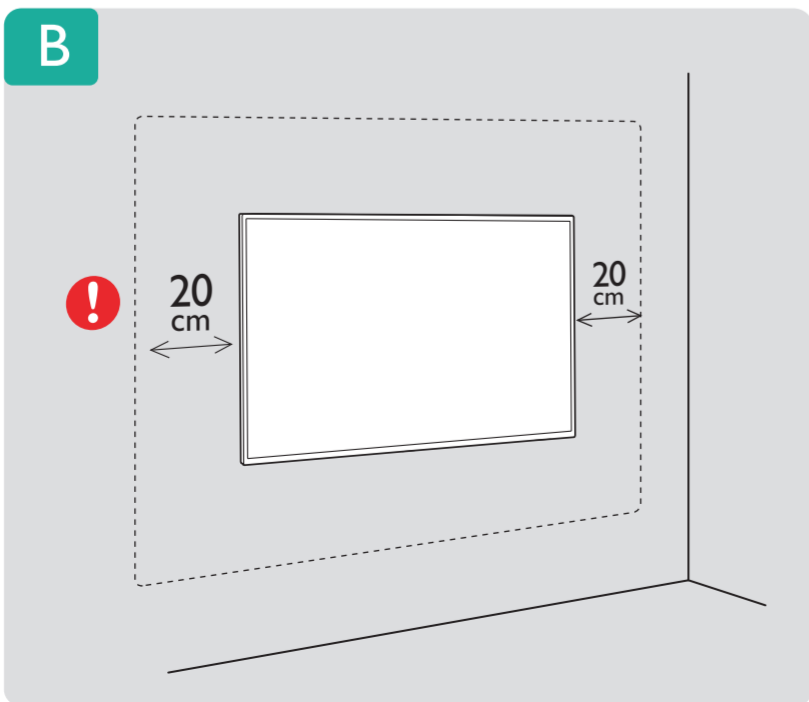
4



5



B



English Read the safety instructions.
Bahasa Malaysia Baca arahan Keselamatan.
Bahasa Indonesia Baca petunjuk keselamatan.
Deutsch Lesen Sie die Sicherheitshinweise.
Français Lisez les consignes de sécurité.

Português Leia as instruções de segurança.
ภาษาไทย โปรดอ่านคำแนะนำด้านความปลอดภัย
Tiếng Việt Hãy đọc chỉ dẫn an toàn.
简体中文 请阅读安全说明。
العربية قراءة تعليمات السلامة.



Register your product and get support at www.philips.com/TVsupport

