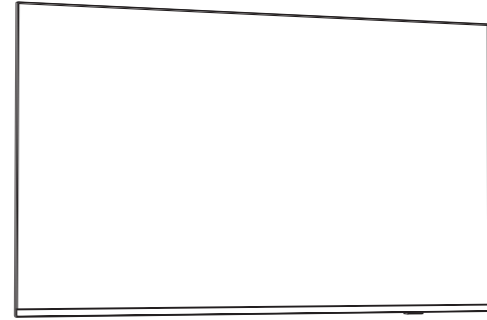
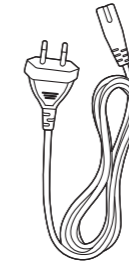
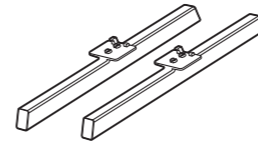


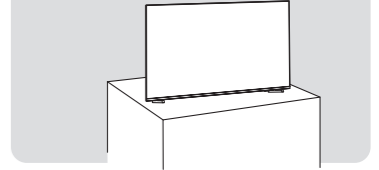
6604 series Quick Start Guide



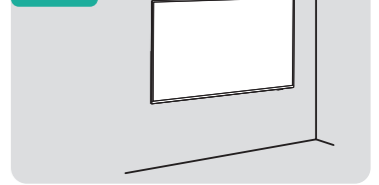
x4



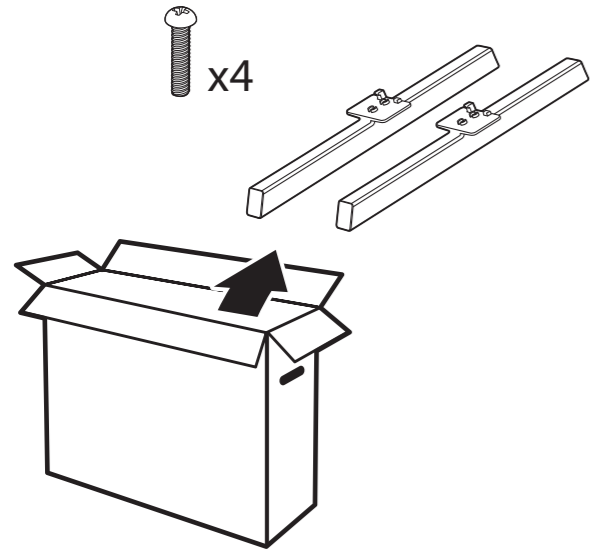
A



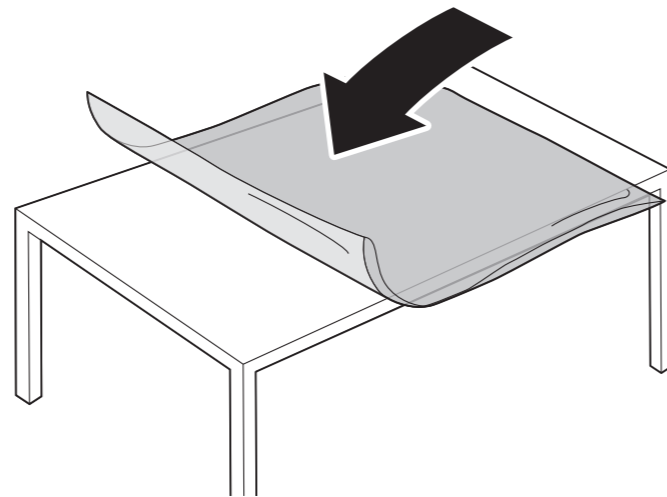
B



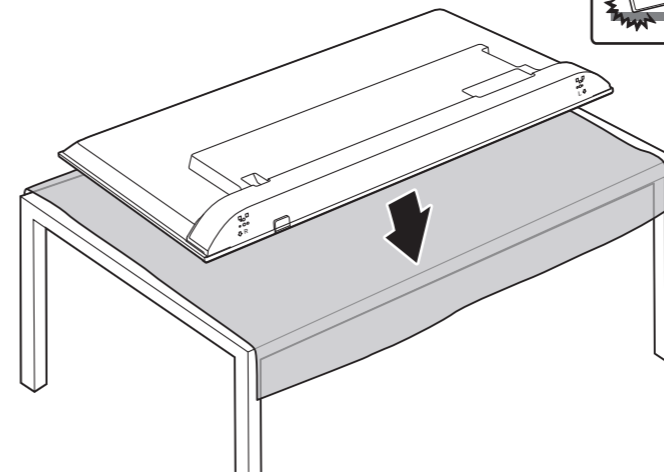
A



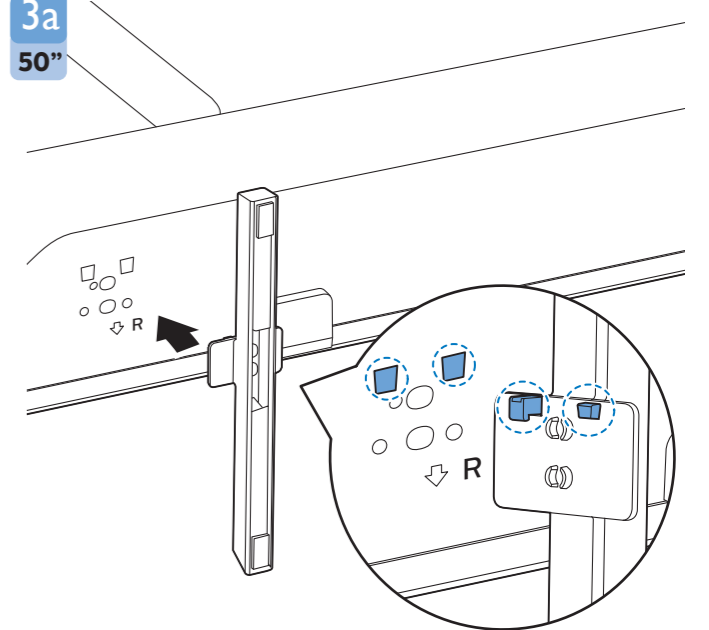
1



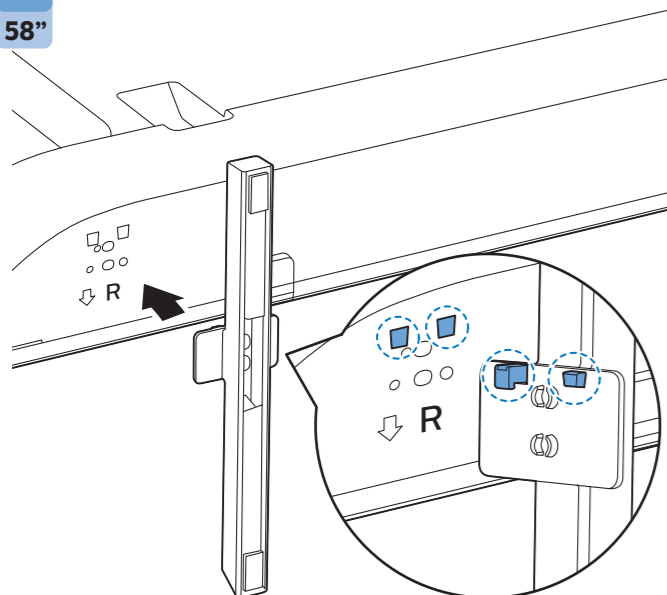
2



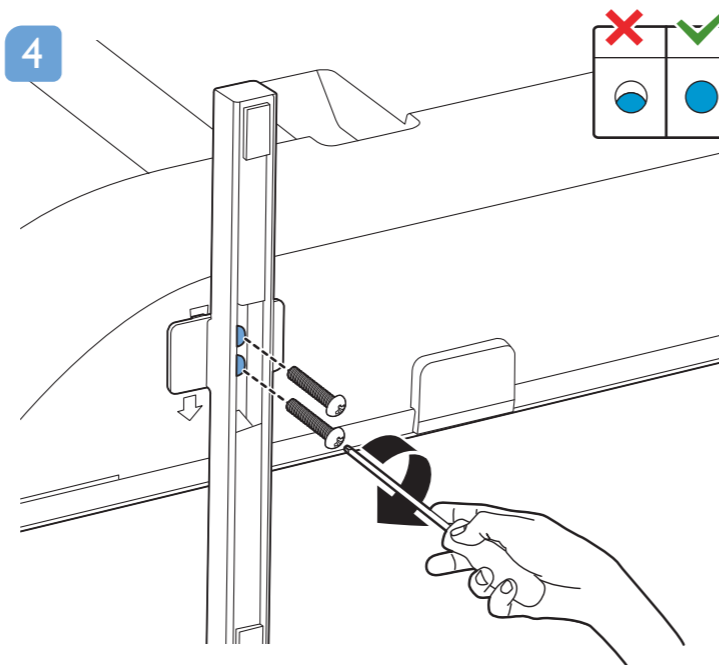
3a
50"



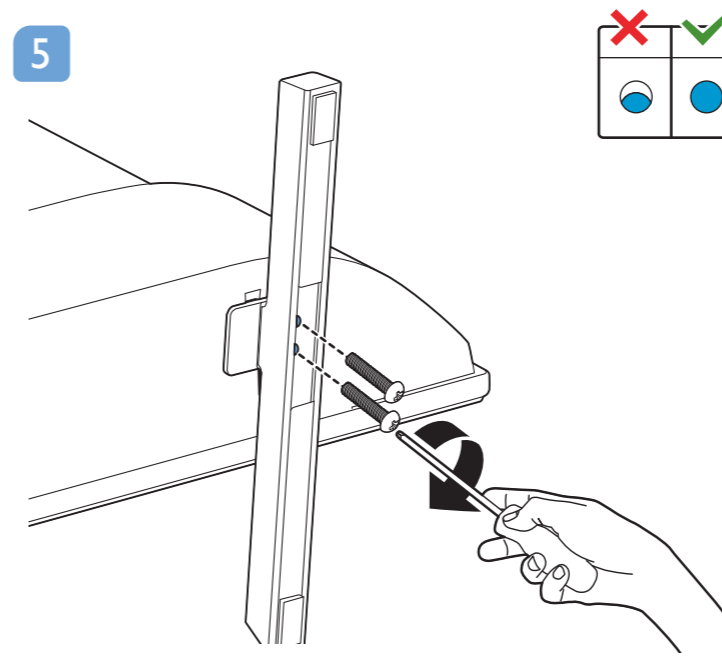
3b
58"



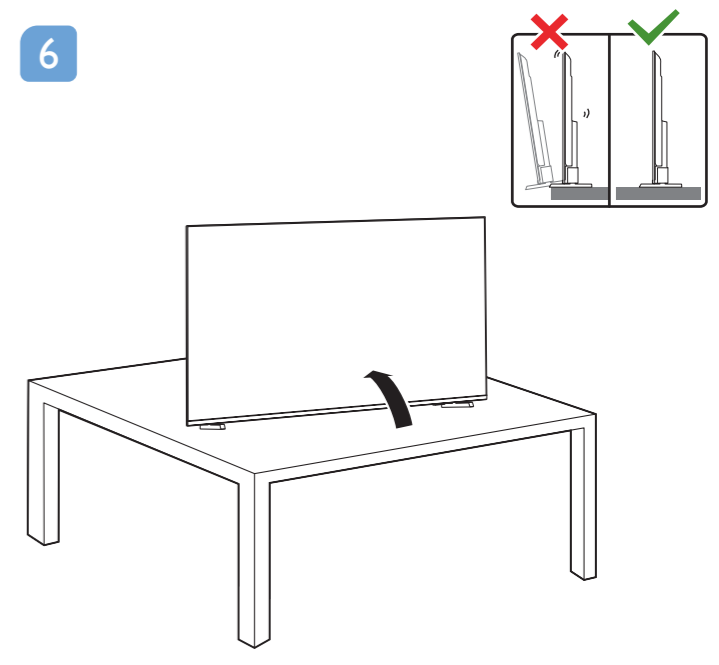
4



5



6

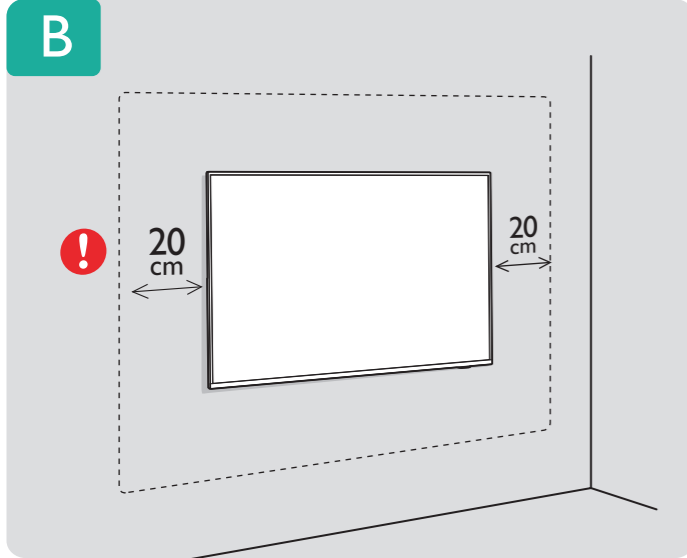
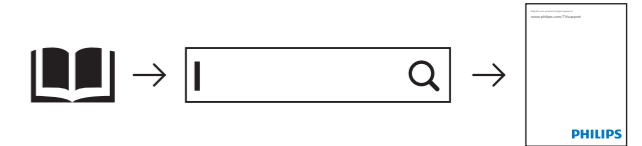




English Read the safety instructions.



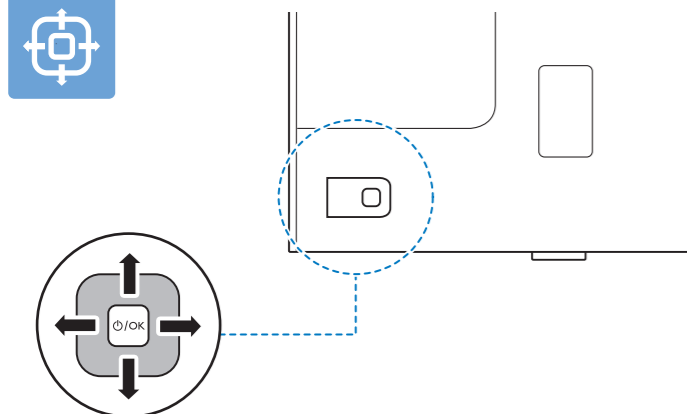
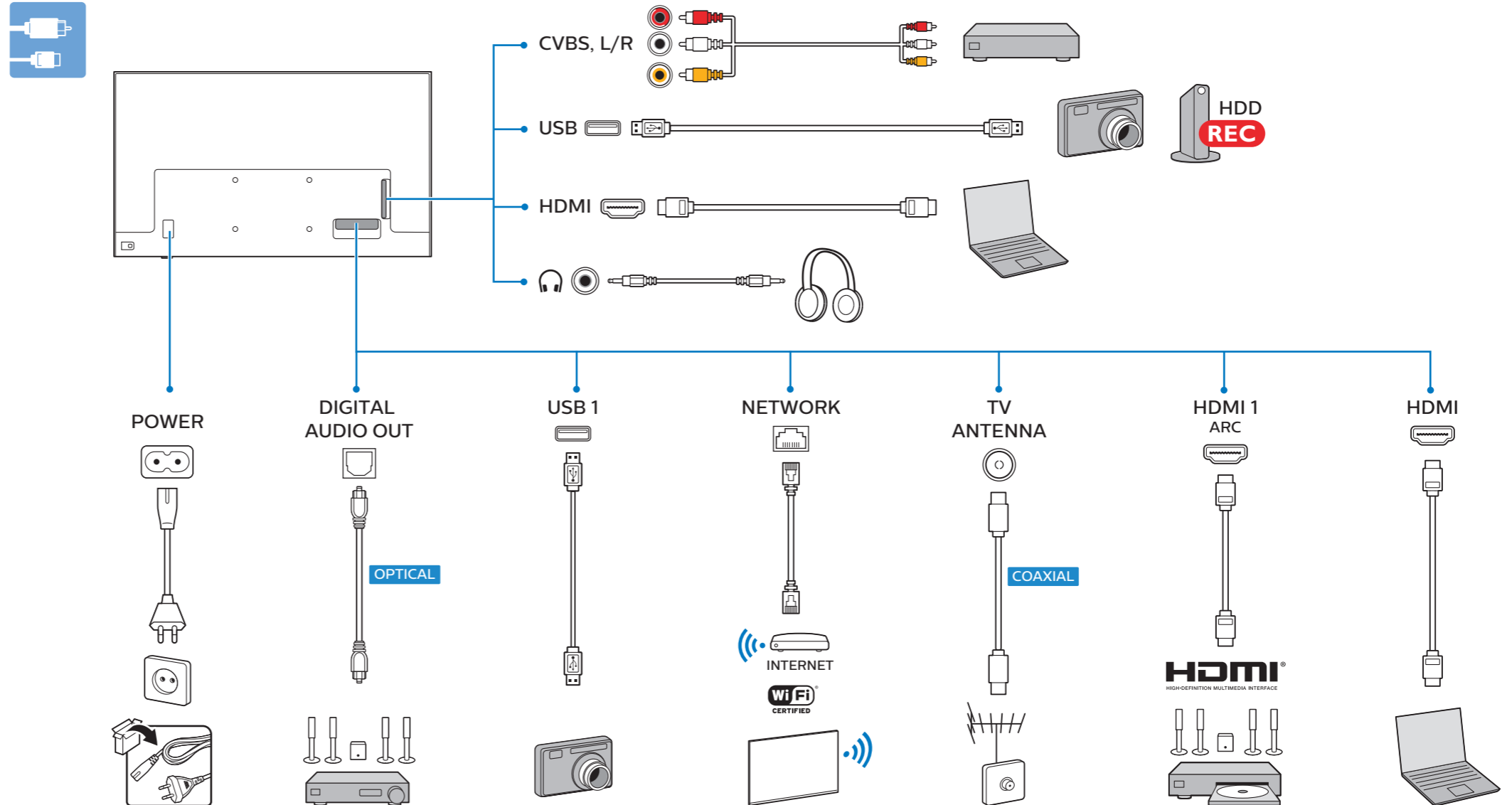
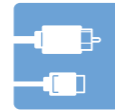
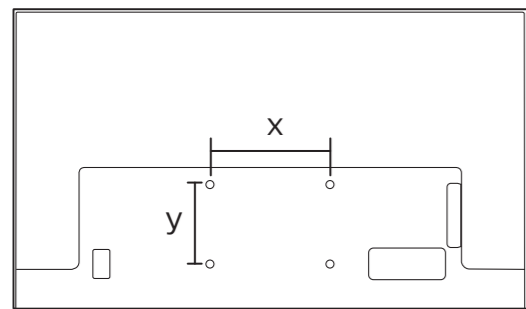
Register your product and get support at www.philips.com/TVsupport



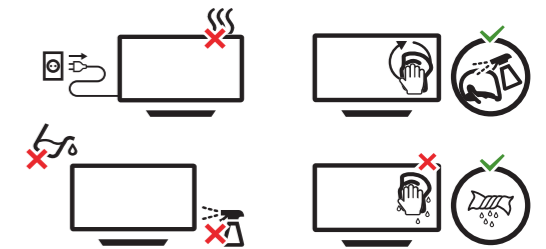
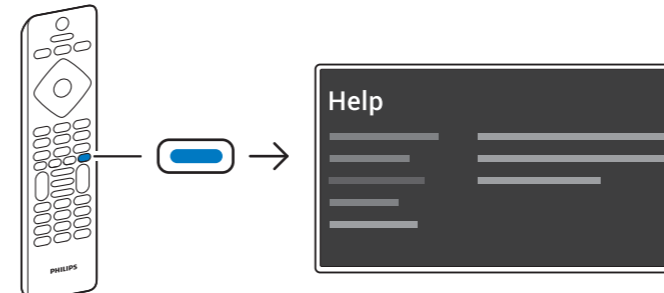
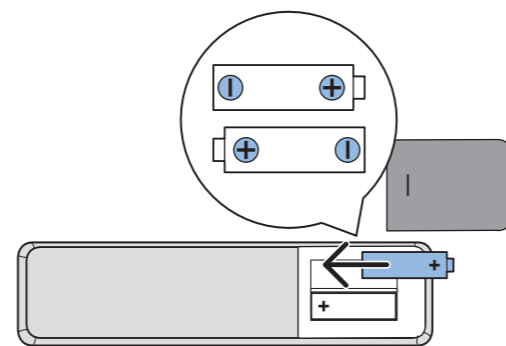
VESA (x, y)

50" 200x200mm M6 126 cm

58" 300x200mm M6 146 cm



2x AAA 1.5V



All registered and unregistered trademarks are property of their respective owners. Specifications are subject to change without notice. Philips and the Philips' shield emblem are trademarks of Koninklijke Philips N.V. and are used under license from Koninklijke Philips N.V. 2019© TP Vision Europe B.V. All rights reserved. philips.com