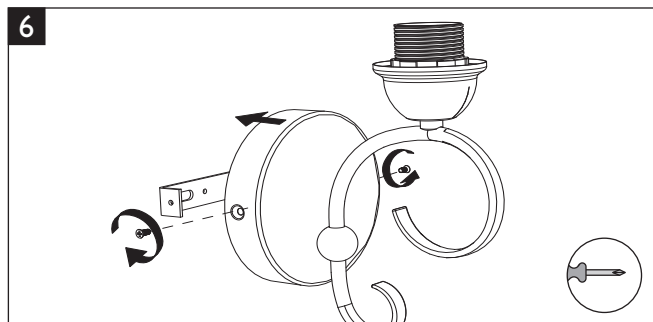
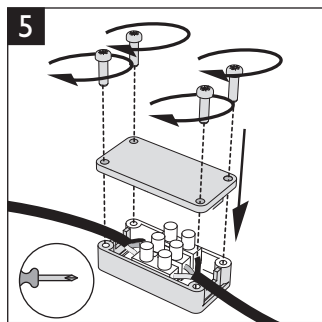
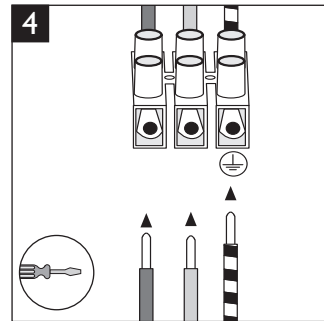
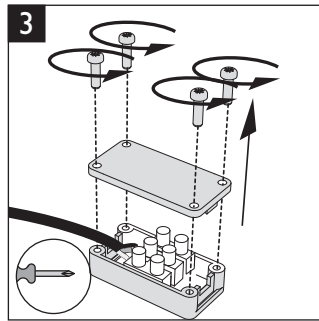
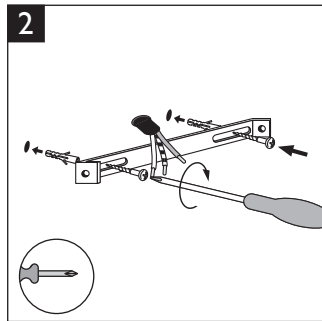
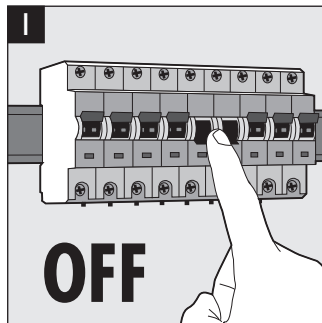
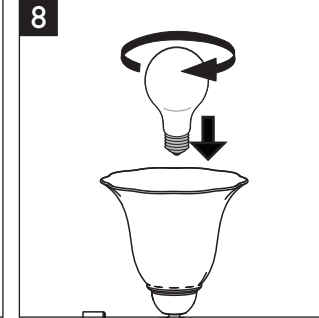
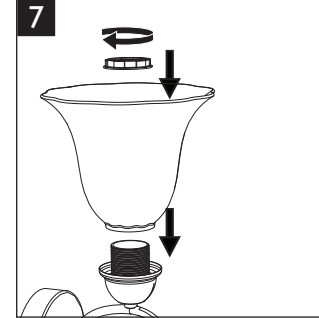
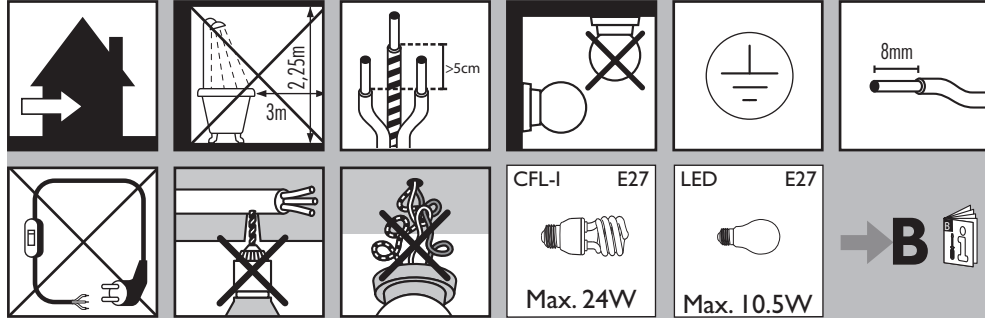




PHILIPS

4404.029.03351
Last update: 22/12/15

PHILIPS



© Copyright

PHILIPS (CHINA) INVESTMENT CO., LTD.
 1602-1605, No. 218 Tian Mu Xi Road, Shanghai, PRC 200070
 飞利浦(中国)投资有限公司
 上海市天目西路218号1602-1605 (邮编: 200070)