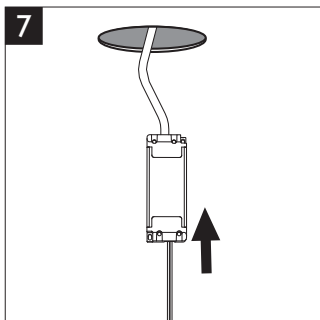
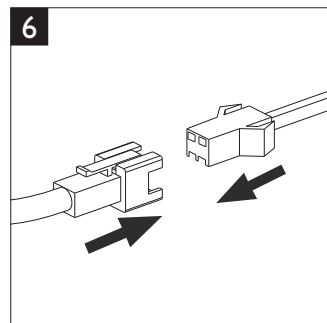
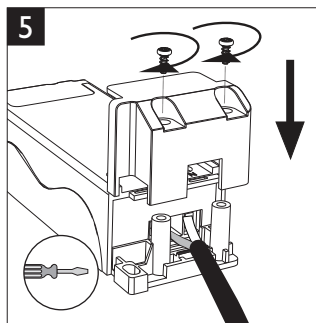
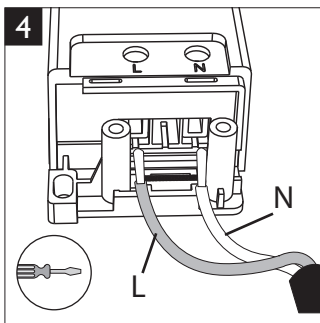
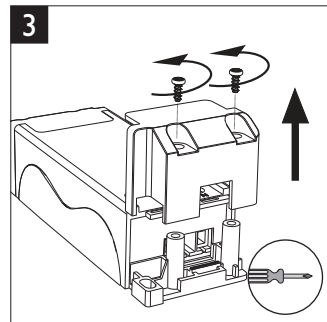
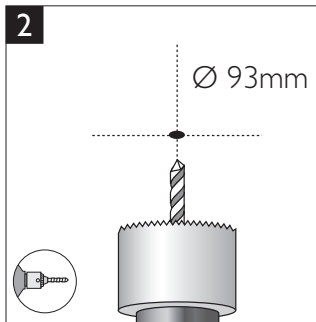
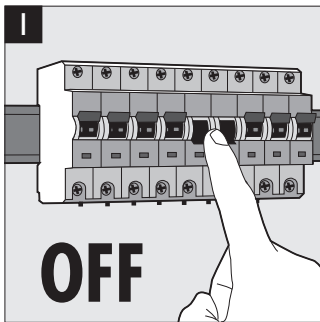
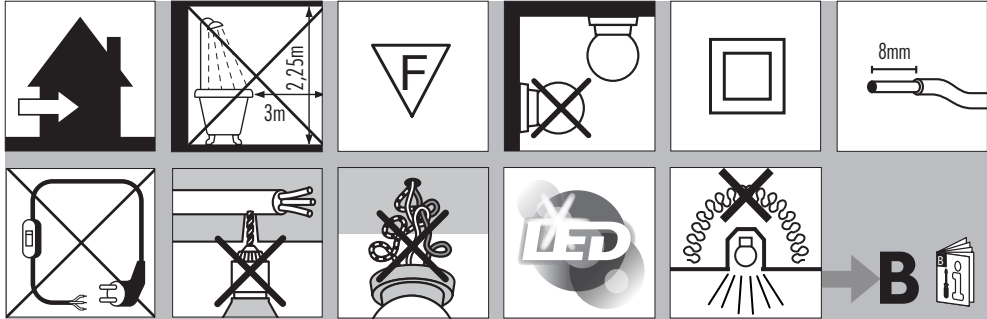




PHILIPS

4404.016.98421

Last update: 11/06/14

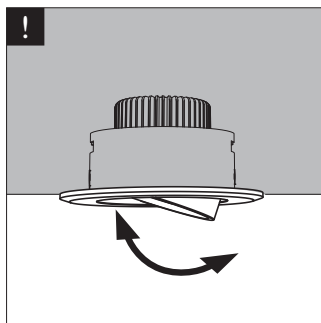
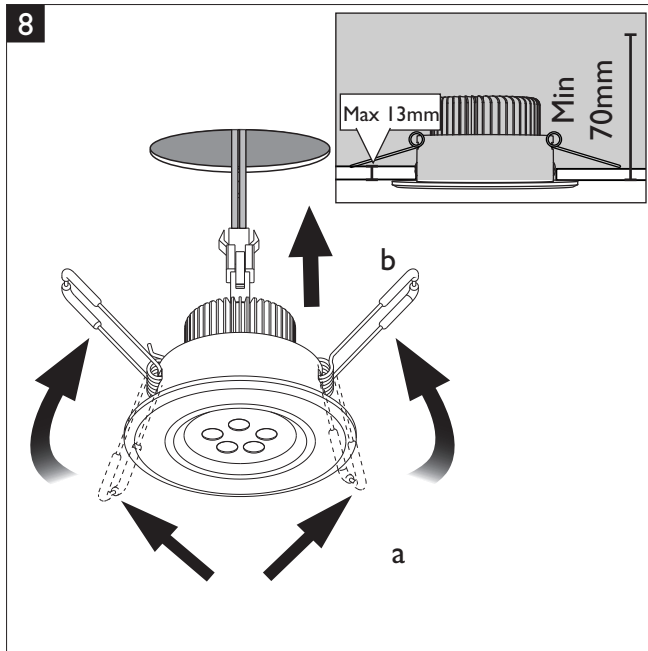


© Copyright

45070 45071 45072

I

PHILIPS



PHILIPS (CHINA) INVESTMENT CO., LTD.
1602-1605, No. 218 Tian Mu Xi Road, Shanghai, PRC 200070.
飞利浦(中国)投资有限公司
上海市天目西路218号1602-1605 (邮编: 200070)