

PHILIPS

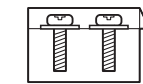
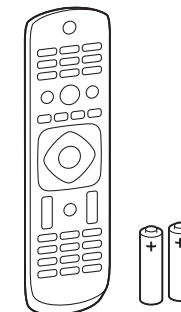
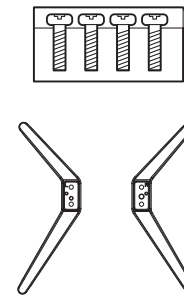
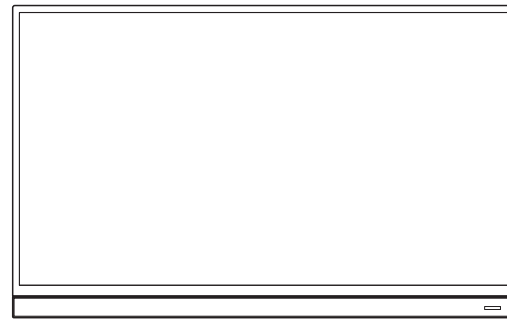
5500 series Quick Start Guide

裁切线, 不印刷

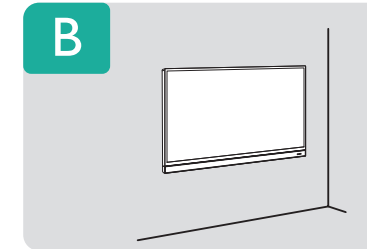
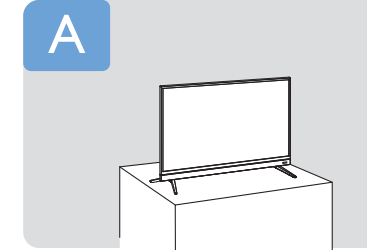
此处红色不印刷, 仅标注料号的二维码位置

料号请根据实际料号印刷
料号字体: Arial, 6 pt

7314-4000D2-02BFLP11



M4x10
flat tail self-tapping screw

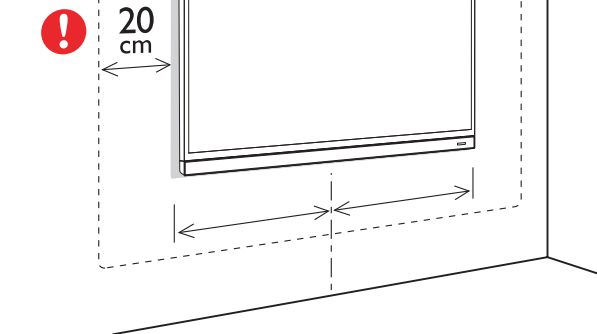
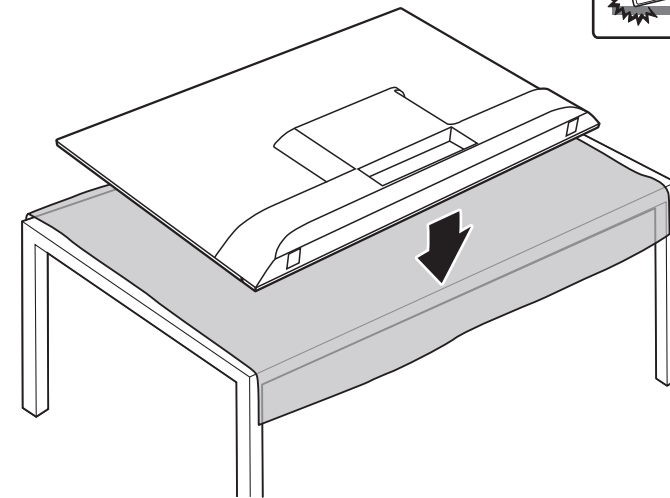
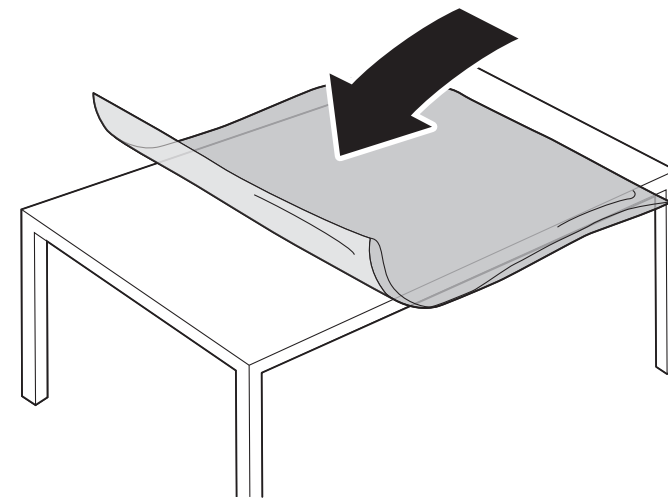
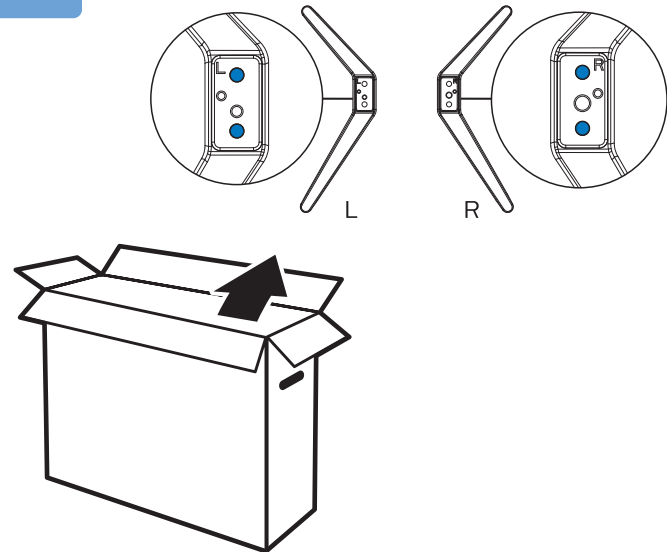


A

1

2

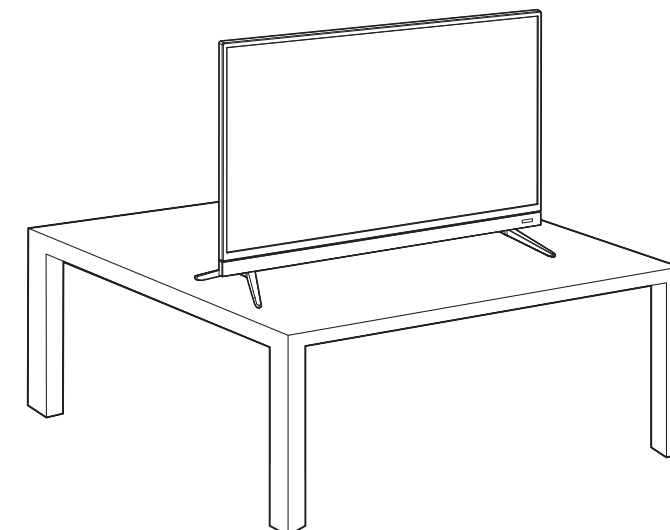
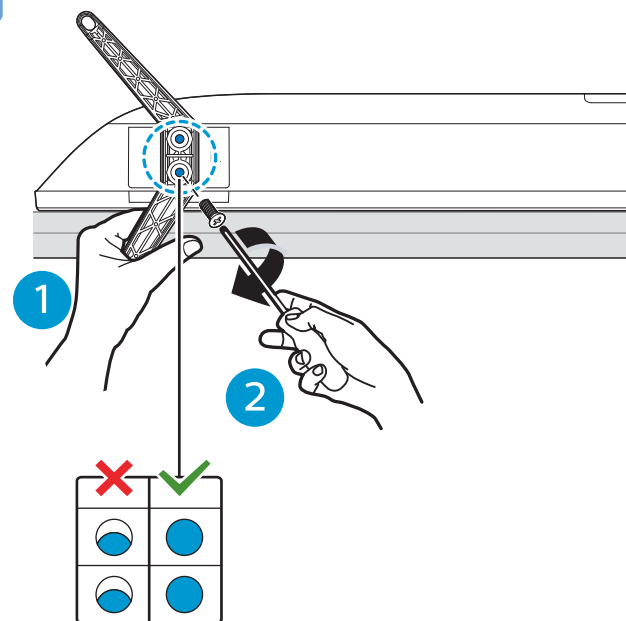
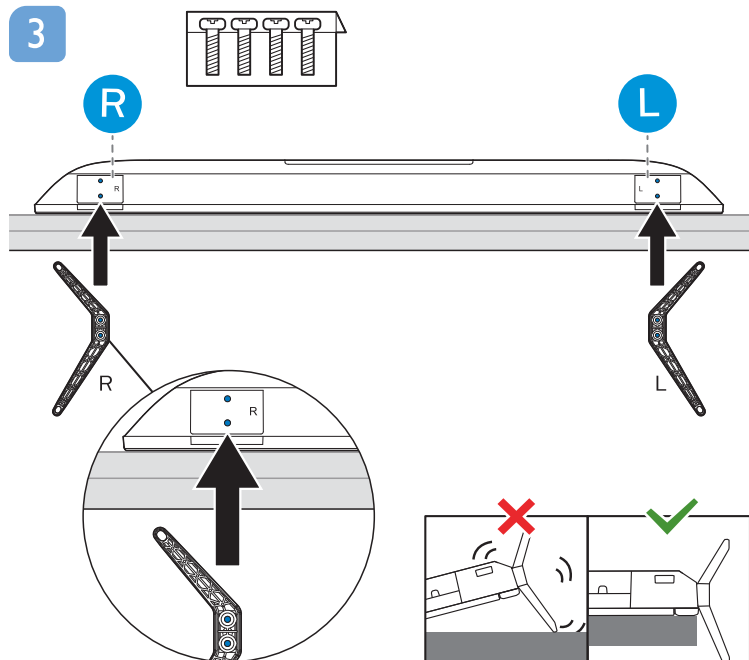
B



3

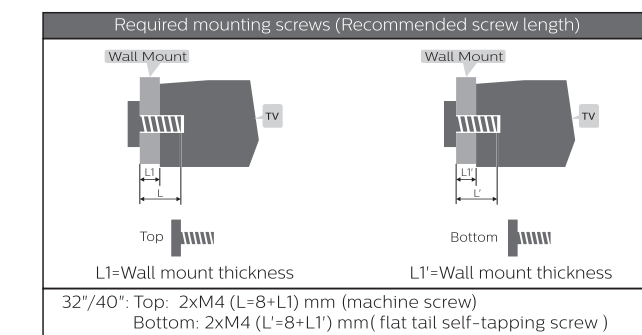
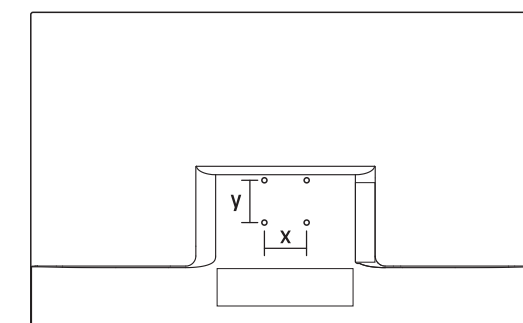
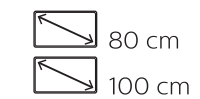
4

5



VESA (x, y)

32"/ 75x75mm
40" 75x75mm





English Read the safety instructions.
 Bahasa Malaysia Baca arahan keselamatan.
 Bahasa Indonesia Baca petunjuk keselamatan.
 ภาษาไทย โปรดอ่านคำแนะนำด้านความปลอดภัย
 Tiếng Việt Hãy đọc chỉ dẫn an toàn.
 Português Brasileiro Por favor leia as instruções de segurança.
 Português Leia as instruções de segurança.
 Deutsch Lesen Sie die Sicherheitshinweise.
 Français Lisez les consignes de sécurité.

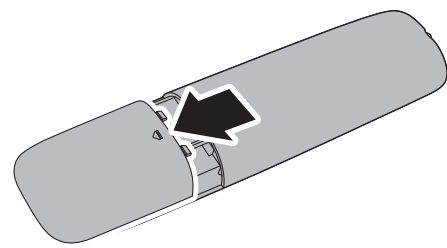
简体中文 请阅读安全说明。
 العربية قراءة تعليمات السلامة



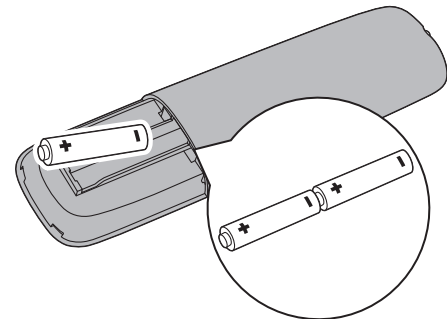
Register your product and get support at
www.philips.com/TVsupport



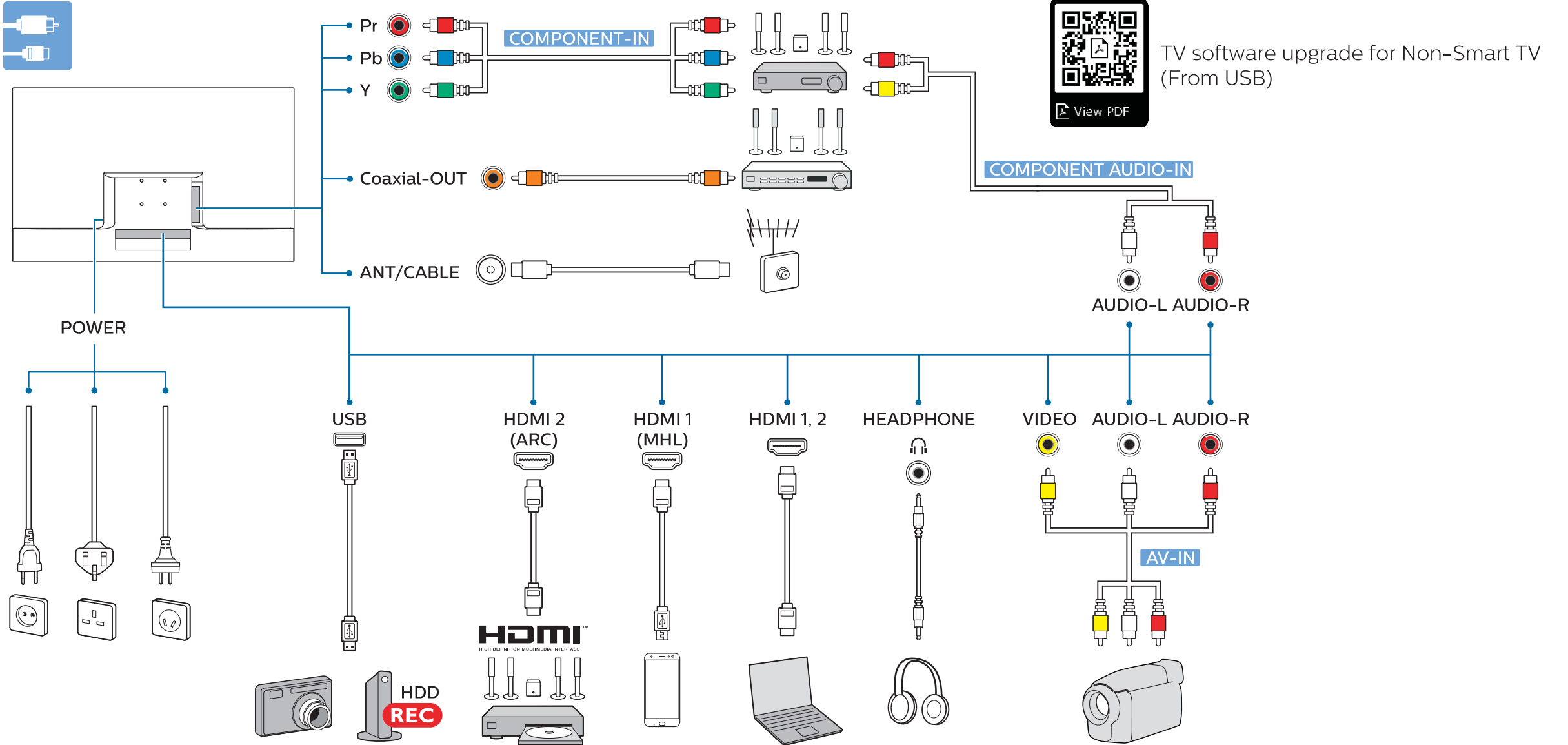
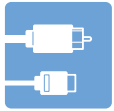
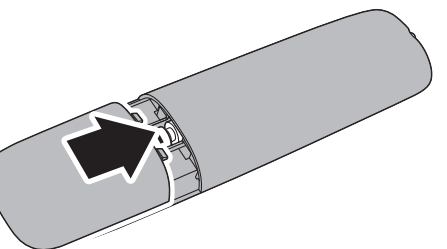
1



2



3



TV software upgrade for Non-Smart TV
 (From USB)

COMPONENT AUDIO-IN

AUDIO-L AUDIO-R

AV-IN

