

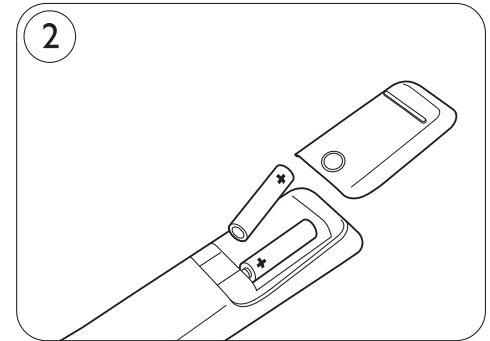
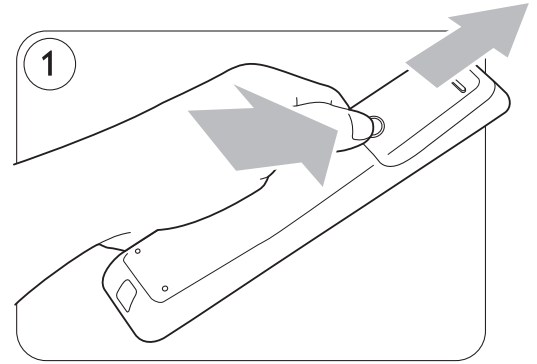
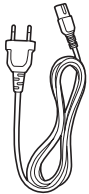
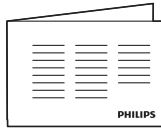
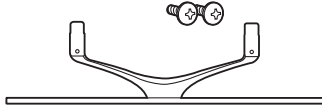
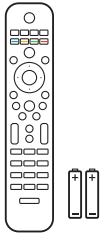
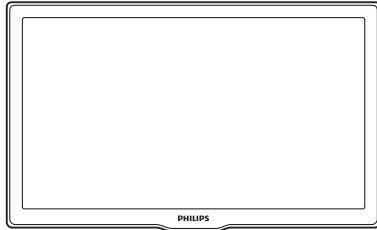
Register your product and get support at ...
www.philips.com/welcome

Quick Start

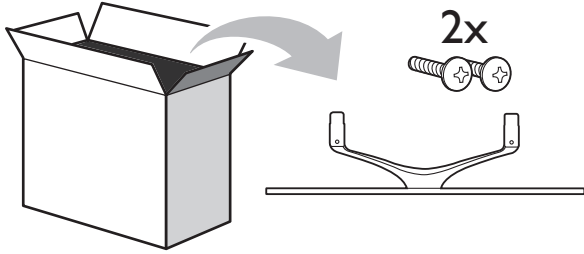
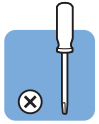
PHILIPS



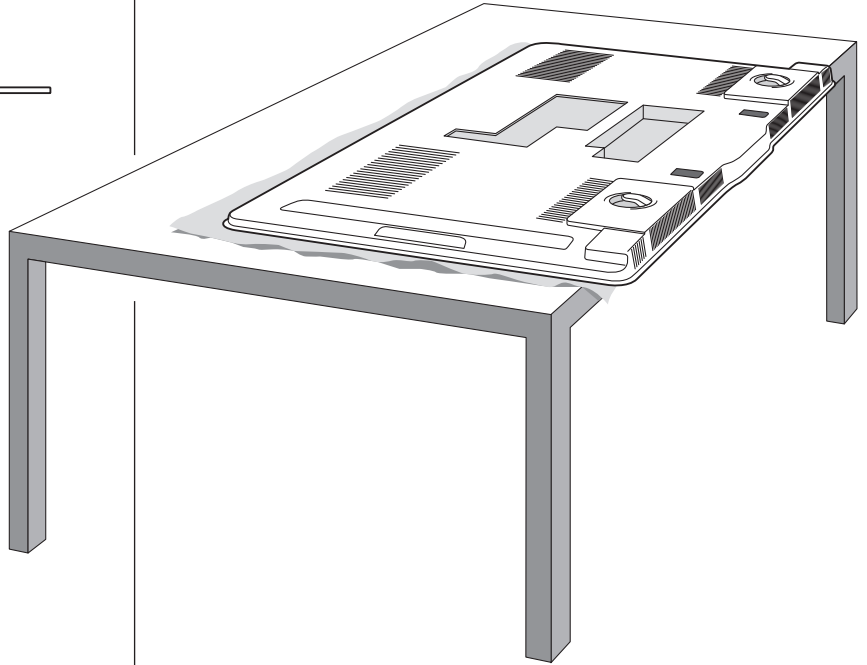
310431576301

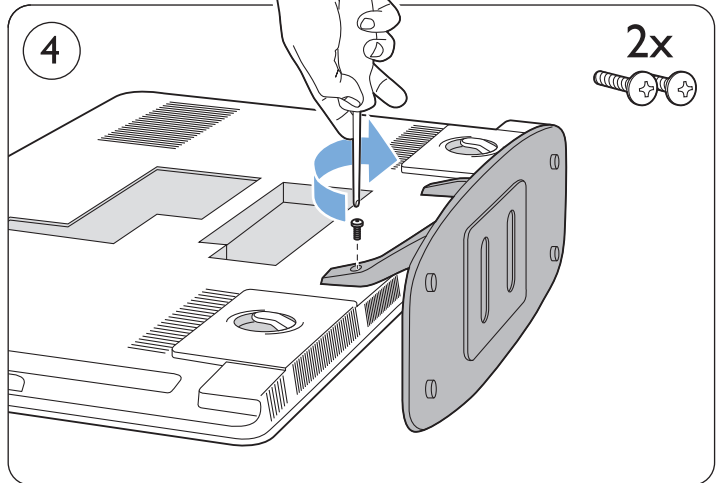
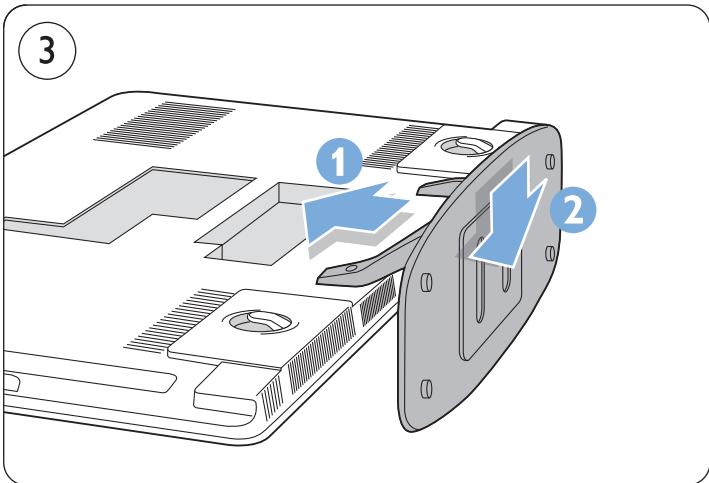
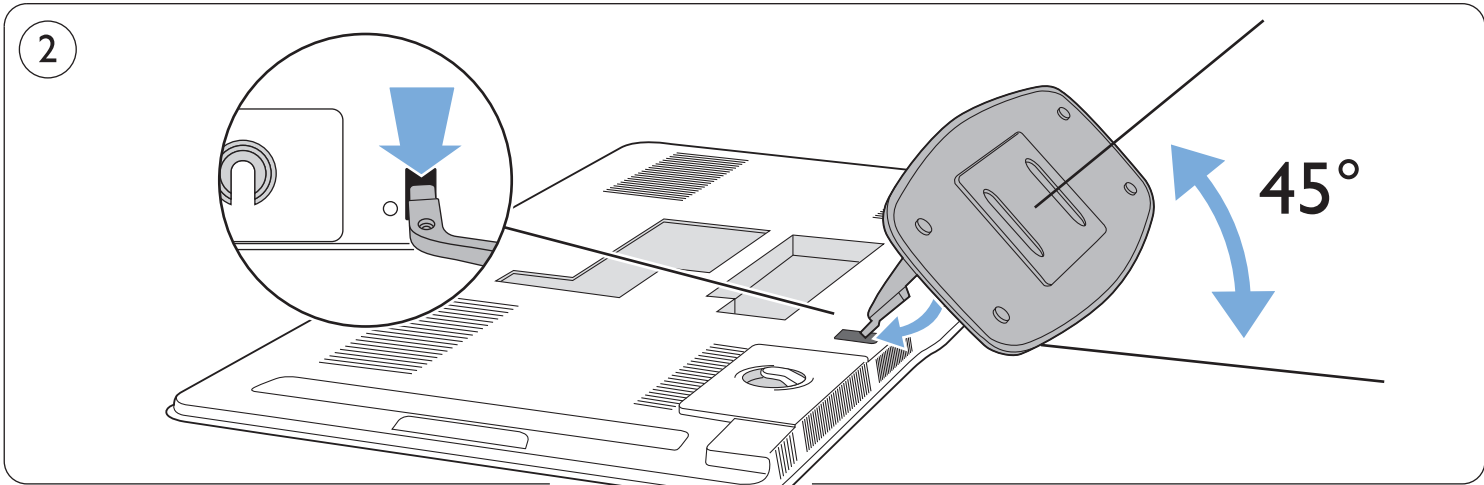


2

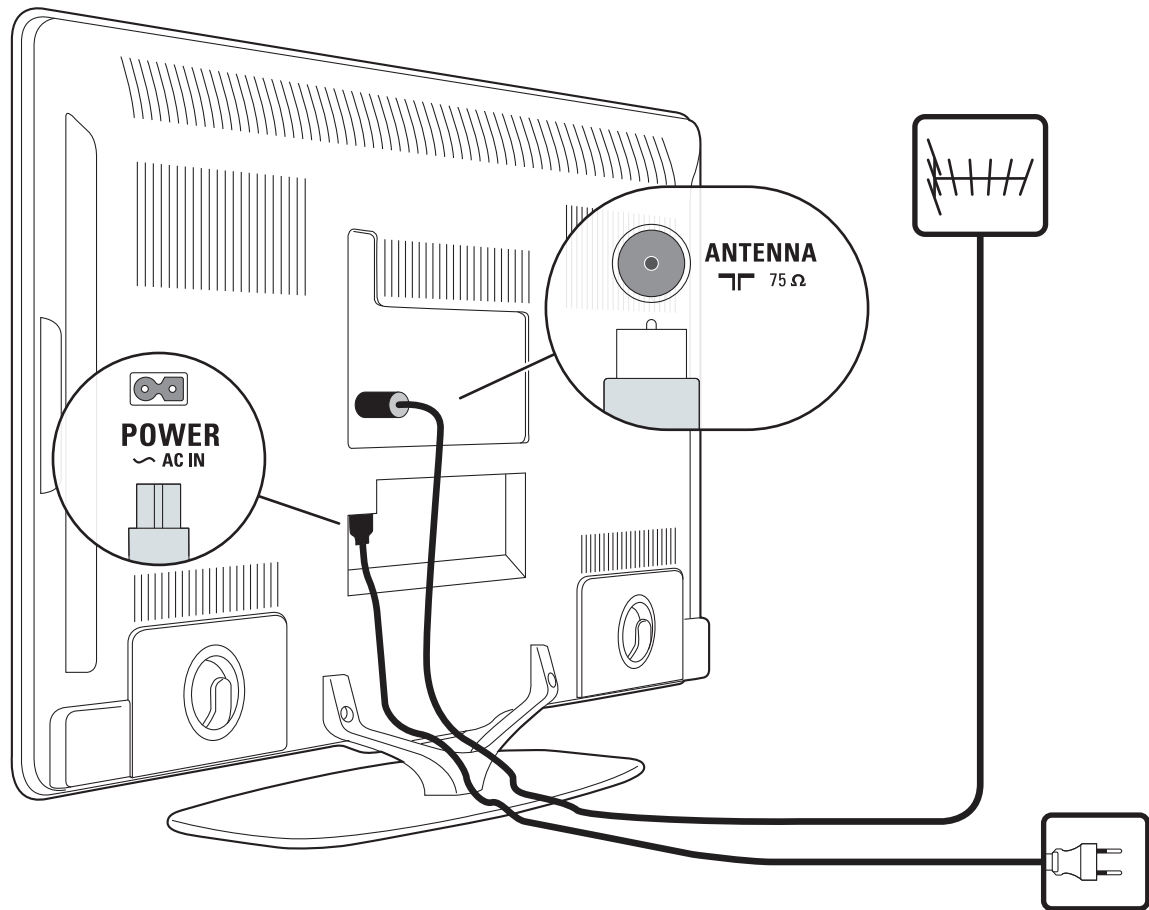


1





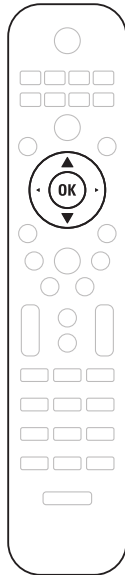
3



4



5 - 20min.

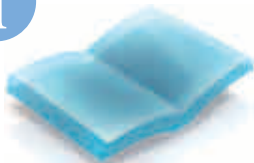


1

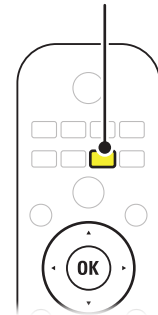
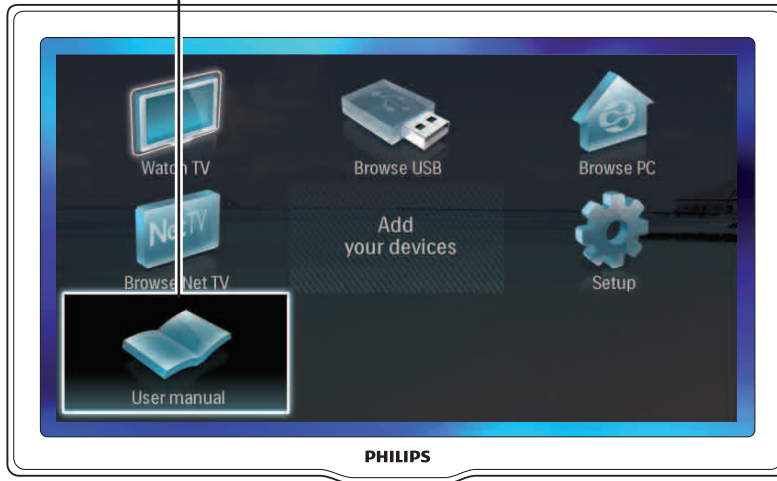


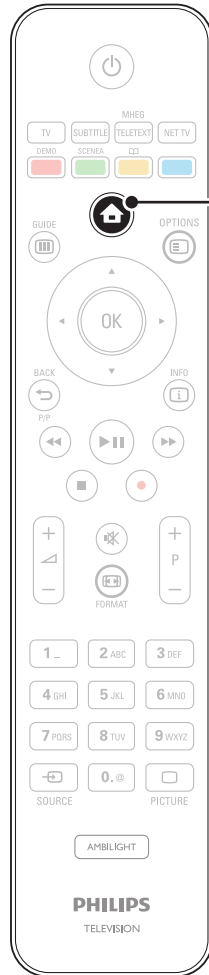
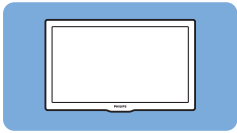
2

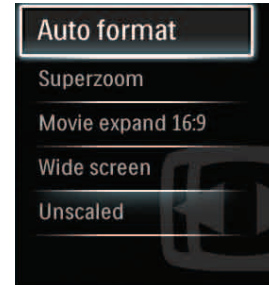
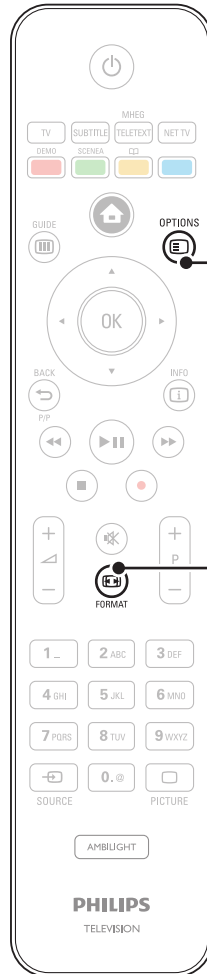
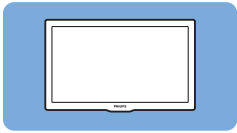
OK



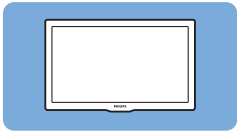
www.philips.com/support



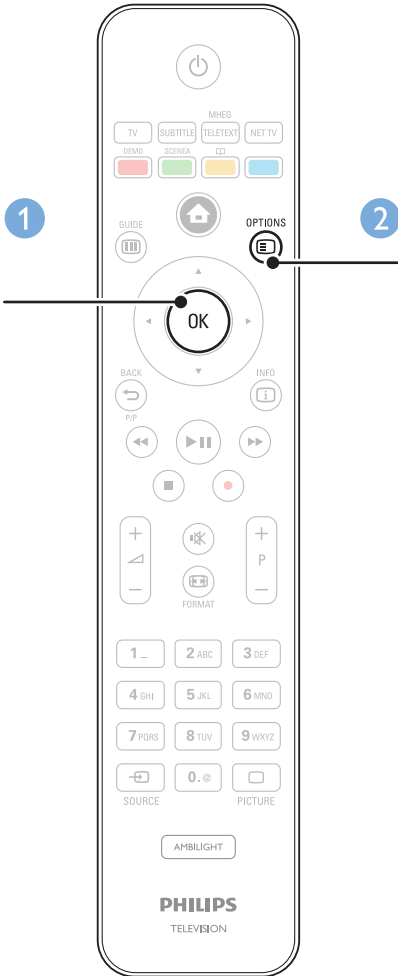




PHILIPS
TELEVISION



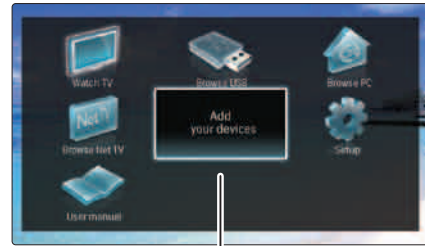
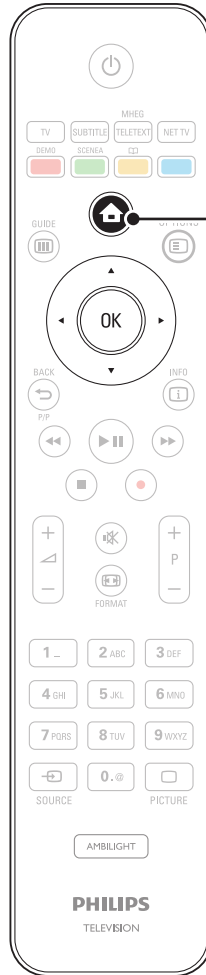
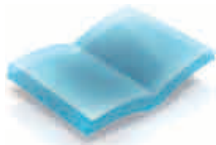
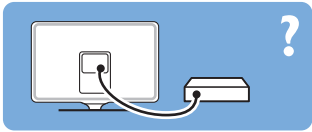
1



2



PHILIPS
TELEVISION



PHILIPS
TELEVISION



www.philips.com/tv

Non-contractual images. / Images non contractuelles. / Außervertragliche Bilder.

All registered and unregistered trademarks are property of their respective owners.

Specifications are subject to change without notice
Trademarks are the property of Koninklijke Philips Electronics N.V. or their respective owners
2009 © Koninklijke Philips Electronics N.V. All rights reserved

www.philips.com