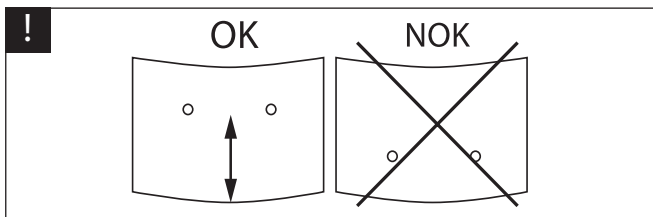
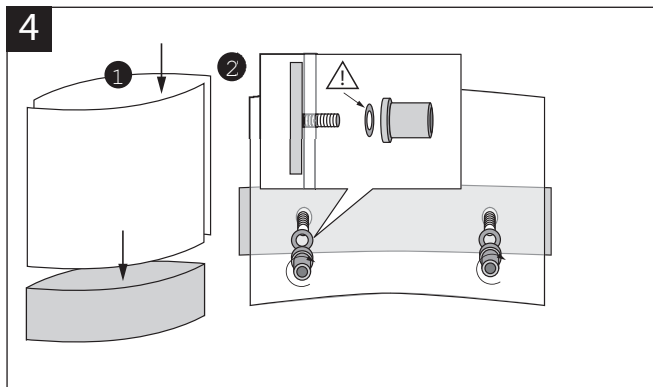
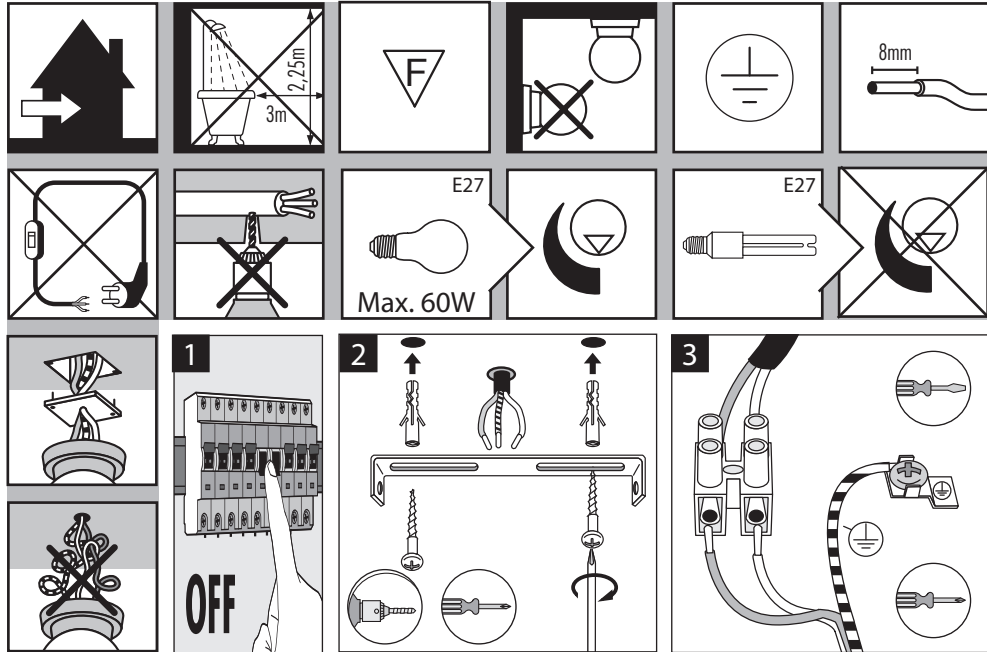


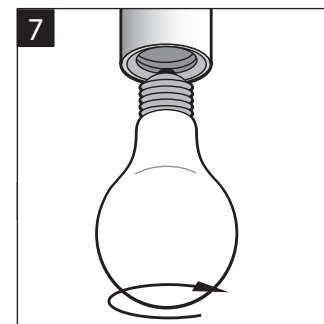
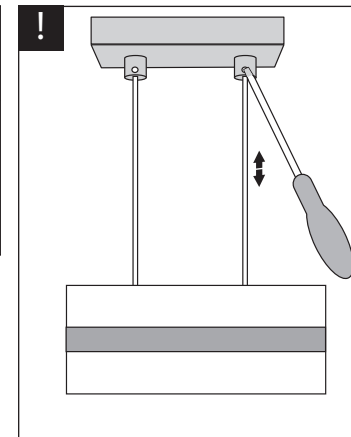
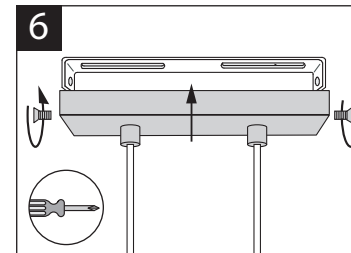
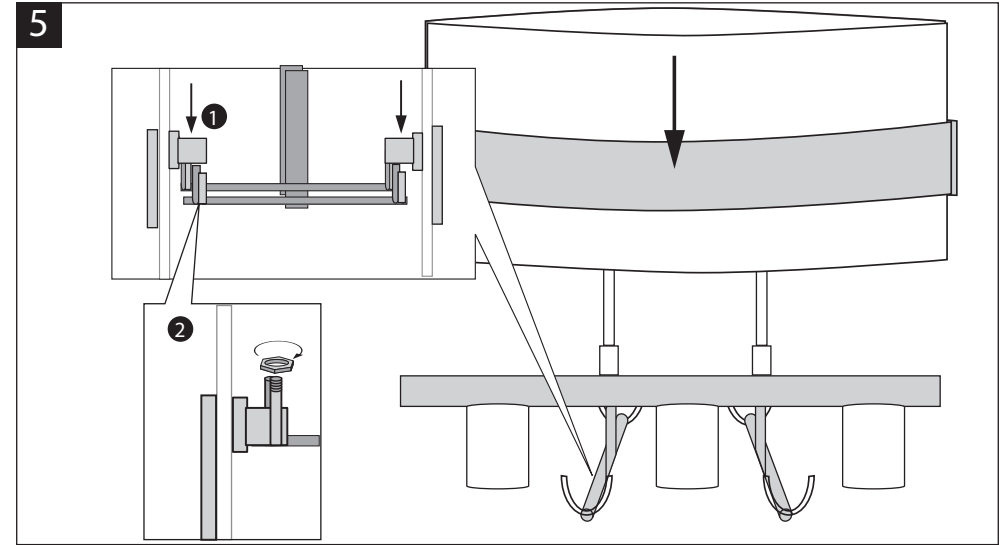


PHILIPS

MD0 000 509S
Last update: 12/10/09



PHILIPS



PHILIPS CONSUMER LUMINAIRES SHENZHEN COMPANY LTD
 飞利浦家居灯饰(深圳)有限公司
 6 F, Auxiliary Building of Shekou Technology Building,
 Nanhai Rd, Shekou, Nanshan District, Shenzhen City
 Guangdong Province, 518067 PRC (China)
 深圳市南山区南海大道蛇口科技大厦辅楼六层 (邮编: 518067)