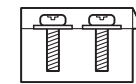
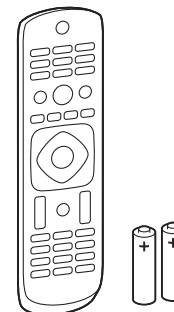
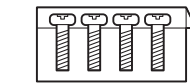
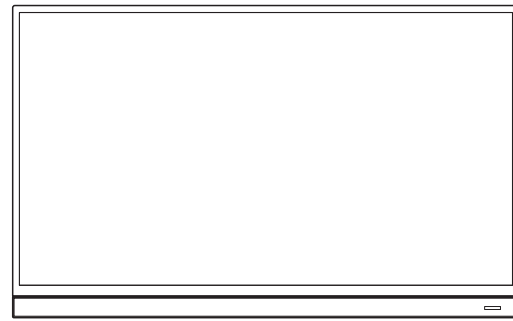


# PHILIPS

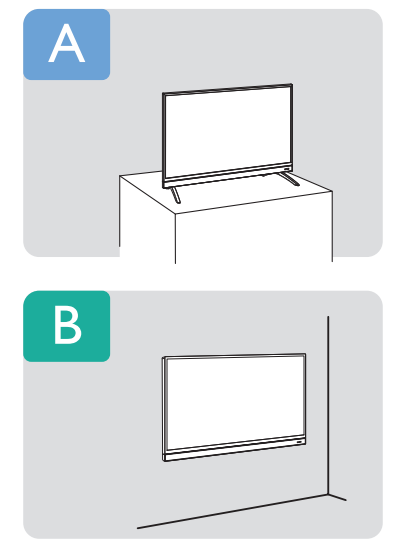
## 5800 series Quick Start Guide

红色不印刷, 仅标注  
料号的二维码位置  
料号请根据实际料号印刷  
料号字体: Arial, 6 pt

7314-400D2S-02BFLP11



M4x10  
flat tail self-tapping screw

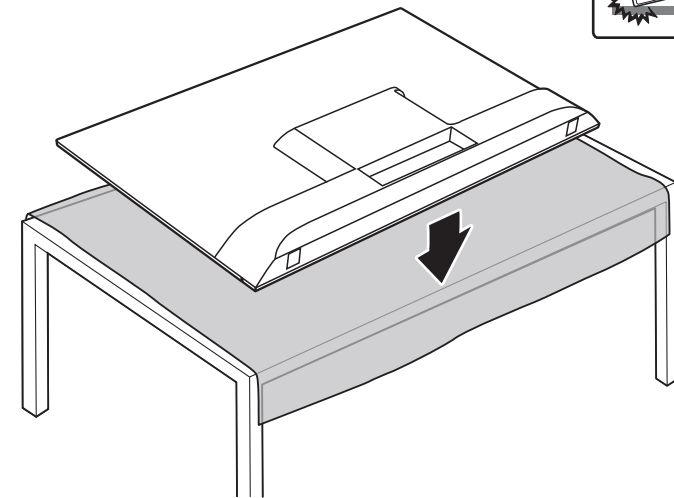
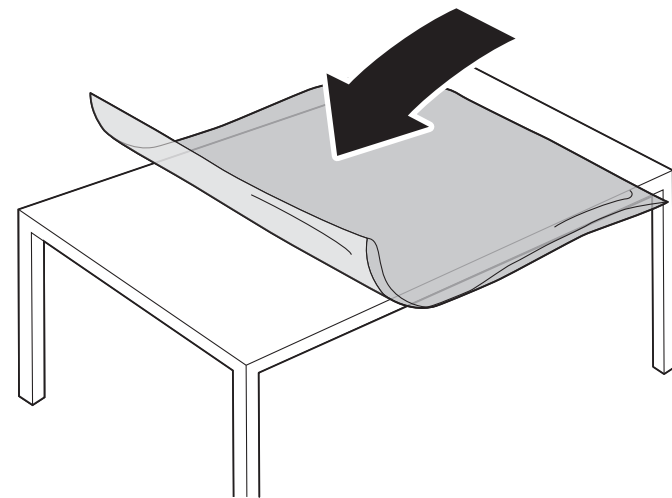
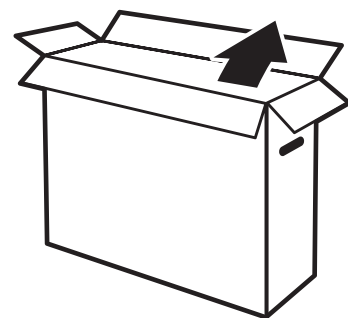
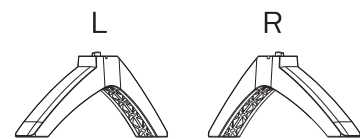


A

1

2

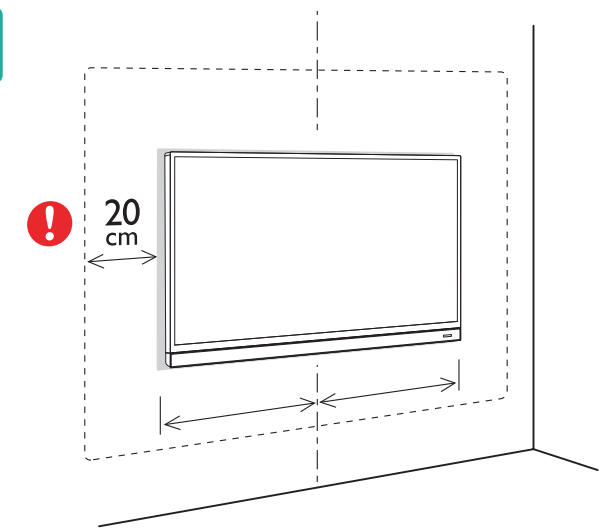
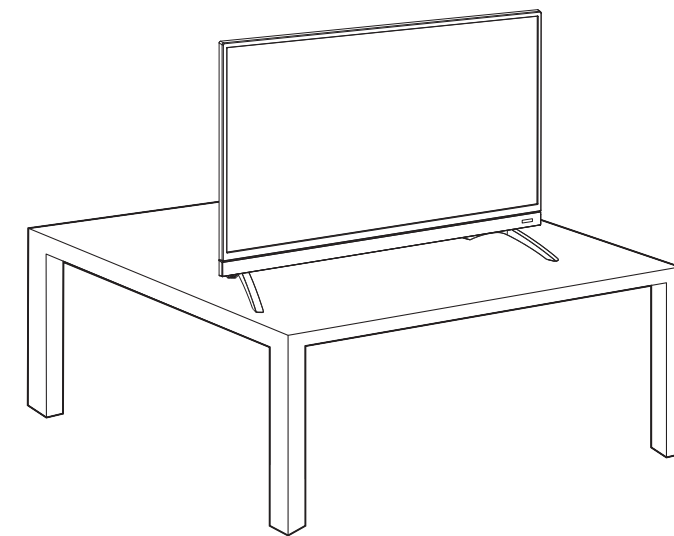
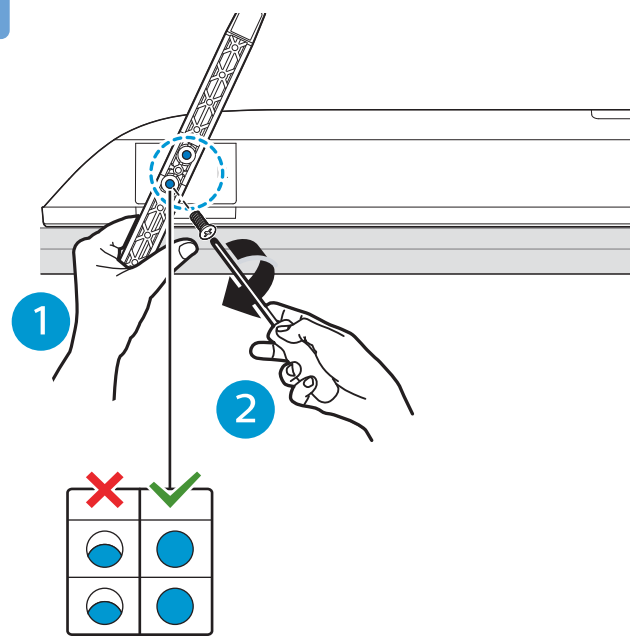
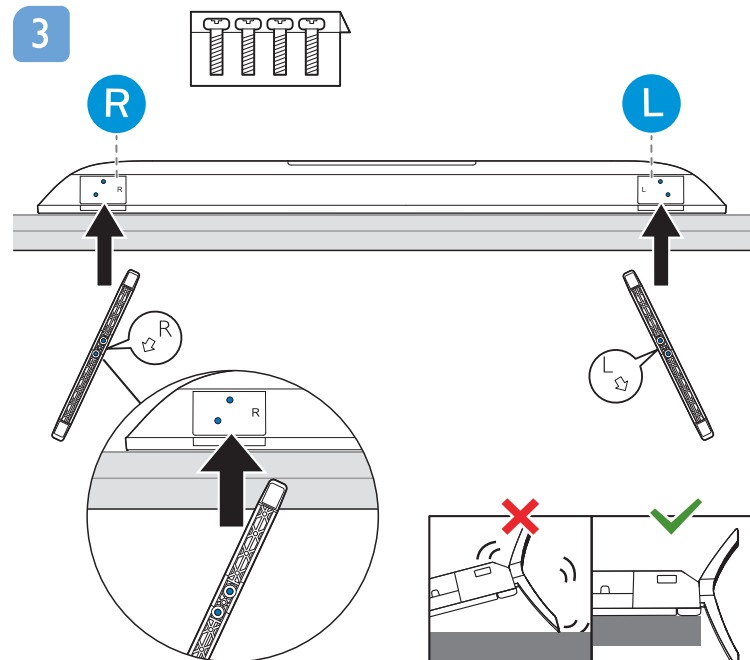
B



3

4

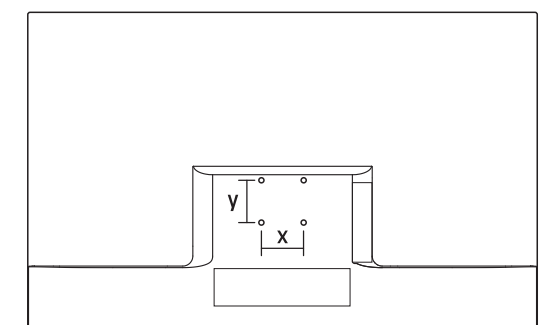
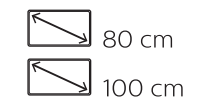
5



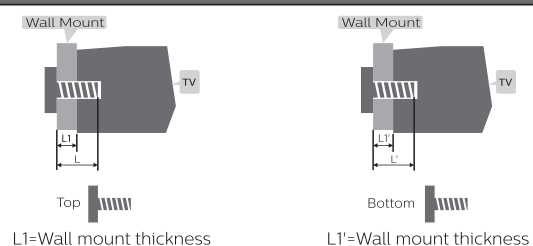
VESA (x, y)

32" 75x75mm

40" 75x75mm



Required mounting screws (Recommended screw length)



32"/40": Top: 2xM4 (L=8+L1) mm (machine screw)  
Bottom: 2xM4 (L'=8+L1') mm (flat tail self-tapping screw)

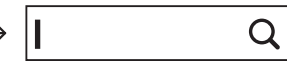


English Read the safety instructions.  
 Bahasa Malaysia Baca arahan keselamatan.  
 Bahasa Indonesia Baca petunjuk keselamatan.  
 ภาษาไทย โปรดอ่านคำแนะนำด้านความปลอดภัย  
 Tiếng Việt Hãy đọc chỉ dẫn an toàn.  
 Português Brasileiro Por favor leia as instruções de segurança.  
 Português Leia as instruções de segurança.  
 Deutsch Lesen Sie die Sicherheitshinweise.  
 Français Lisez les consignes de sécurité.

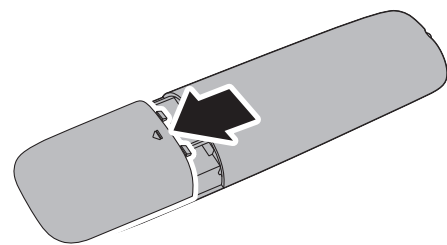
简体中文 请阅读安全说明。  
 العربية قراءة تعليمات السلامة.



Register your product and get support at  
[www.philips.com/TVsupport](http://www.philips.com/TVsupport)

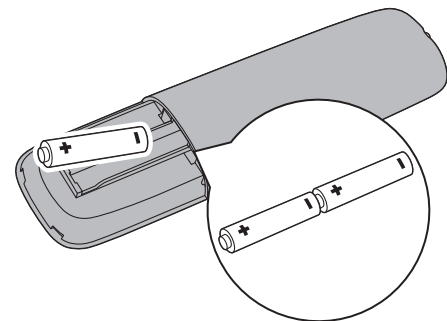


1



2

2x  
AAA  
1.5V



3

