

Philips Professional and Business Solution



22HFL5550D

26HFL5850D

32HFL5850D

42HFL5850D

EN SETUP MANUAL

PHILIPS

Table of contents

1 Important	4	6.13 Set control	20
1.1 Safety	4	6.14 Video adjustment	21
1.2 Screen care	5	6.15 Set energy saving	21
1.3 Recycling	5	6.16 Set clock	22
2 Your TV	6	7 Clone configuration	23
2.1 Connection overview	6	7.1 From USB to TV	23
3 Remote control	8	7.2 From TV to USB	23
4 Get started	9	8 Healthcare	24
4.1 Position the TV	9	9 Install system devices	25
4.2 Wall mount the TV	9	9.1 System Smartcard	25
4.3 Connect the antenna cable	10	9.2 System Box	25
4.4 Connect the mains cord	10	9.3 Set communication source	25
4.5 Insert the remote control batteries ..	10	10 Trouble shooting	26
4.6 Prepare TV for digital services	11	10.1 Communication issues	26
5 Remote control overview	13	10.2 Picture issues	26
6 Setup the TV	14	10.3 Other issues	26
6.1 Access setup menu	14	11 Index	27
6.2 Select language	14		
6.3 Select country	15		
6.4 Select communication source	15		
6.5 Set number of channels	15		
6.6 Install all channels automatically	16		
6.7 Install individual channel manually	16		
6.8 Switch off sound from audio or video source	18		
6.9 Lock or unlock a channel	18		
6.10 Name or rename channels	18		
6.11 Configure settings	18		
6.12 Set security	19		

2008 © Koninklijke Philips Electronics N.V. All rights reserved.

Specifications are subject to change without notice. Trademarks are the property of Koninklijke Philips Electronics N.V. or their respective owners. Philips reserves the right to change products at any time without being obliged to adjust earlier supplies accordingly. The material in this manual is believed adequate for the intended use of the system. If the product, or its individual modules or procedures, are used for purposes other than those specified herein, confirmation of their validity and suitability must be obtained. Philips warrants that the material itself does not infringe any United States patents. No further warranty is expressed or implied.

Warranty

- Risk of injury, damage to TV or void of warranty! Never attempt to repair the TV yourself.
- Use the TV and accessories only as intended by the manufacturer.
- The caution sign printed on the back of the TV indicates risk of electric shock. Never remove the TV cover. Always contact Philips for service or repairs.



- Any operation expressly prohibited in this manual, or any adjustments and assembly procedures not recommended or authorised in this manual shall void the warranty.

Open source software

This television contains open source software.

Philips GBU Hospitality hereby offers to deliver or make available, upon request, for a charge no more than the cost of physically

performing source distribution, a complete machine-readable copy of the corresponding source code on a medium customarily used for software interchange.

To obtain the source code, write to:
Philips Singapore Pte Ltd
- Philips GBU Hospitality
Software Development Manager
620A Lorong 1 Toa Payoh
Singapore 319762

This offer is valid for a period of 3 years after the date of purchase of this product.

Pixel characteristics

This LCD product has a high number of color pixels. Although it has effective pixels of 99.999% or more, black dots or bright points of light (red, green or blue) may appear constantly on the screen. This is a structural property of the display (within common industry standards) and is not a malfunction.

Compliance with EMF

Koninklijke Philips Electronics N.V. manufactures and sells many products targeted at consumers, which, like any electronic apparatus, in general have the ability to emit and receive electromagnetic signals. One of Philips' leading Business Principles is to take all necessary health and safety measures for our products, to comply with all applicable legal requirements and to stay well within the EMF standards applicable at the time of producing the products. Philips is committed to develop, produce and market products that cause no adverse health effects. Philips confirms that if its products are handled properly for their intended use, they are safe to use according to scientific evidence available today. Philips plays an active role in the development of international EMF and safety standards, enabling Philips to anticipate further developments in standardisation for early integration in its products.

Mains fuse (UK only)

This TV is fitted with an approved moulded plug. Should it become necessary to replace the mains fuse, this must be replaced with a fuse of the same value as indicated on the plug (example 10A).

1. Remove fuse cover and fuse.
2. The replacement fuse must comply with BS 1362 and have the ASTA approval mark. If the fuse is lost, contact your dealer in order to verify the correct type.
3. Refit the fuse cover.

In order to maintain conformity to the EMC directive, the mains plug on this product must not be detached from the mains cord.

Copyright



VESA, FDMI and the VESA Mounting Compliant logo are trademarks of the Video Electronics Standards Association.


Windows Media is either a registered trademark or trademark of Microsoft Corporation in the United States and/or other countries.

® Kensington and Micro Saver are registered US trademarks of ACCO World Corporation with issued registrations and pending applications in other countries throughout the world. All other registered and unregistered trademarks are the property of their respective owners.

1 Important

Read and understand all instructions before you use the TV. If damage is caused by failure to follow instructions, the warranty does not apply.

1.1 Safety

- Risk of electric shock or fire!
 - Never expose the TV to rain or water. Never place liquid containers, such as vases, near the TV. If liquids are spilled on or into the TV, disconnect the TV from the power outlet immediately. Contact Philips to have the TV checked before use.
 - Never place the TV, remote control or batteries near naked flames or other heat sources, including direct sunlight.
 - To prevent the spread of fire, keep candles or other flames away from this product at all times.
- 
- Never insert objects into the ventilation slots or other openings on the TV.
 - When the TV is swivelled, ensure that no strain is exerted on the power cord. Strain on the power cord can loosen connections and cause arcing.
 - Risk of short circuit or fire!
 - Never expose the remote control or batteries to rain, water or excessive heat.
 - Avoid force coming on the power plugs. Power plugs that are partly loosened can cause arcing or fire.
 - Risk of injury or damage to the TV!
- Two people are required to lift and carry a TV that weighs more than 55 lbs.
 - If you stand mount the TV, use only the supplied stand. Secure the stand to the TV tightly. Place the TV on a flat, level surface that can support the weight of the TV and stand.
 - The TV must be mounted on the wall bracket designed for this TV, and on a wall that can safely hold the weight of the TV. Koninklijke Philips Electronics N.V. bears no responsibility for improper wall mounting that results in accident or injury.
 - Risk of injury to children! Follow these precautions to prevent the TV from toppling over and causing injury to children:
 - Never place the TV on a surface covered by a cloth or other material that can be pulled away.
 - Ensure that no part of the TV hangs over the edge of the mounting surface.
 - Never place the TV on tall furniture (such as a bookcase) without anchoring both the furniture and TV to a suitable support (such as a concrete wall).
 - Educate children about the dangers of climbing on furniture to reach the TV.
 - Risk of overheating! Never install the TV in a confined space such as a bookcase. Always leave a space of at least four inches around the TV for ventilation. Ensure curtains or other objects never cover the ventilation slots on the TV.
 - Risk of injury, fire or power cord damage! Never place the TV or any objects on the power cord.
 - Disconnect the TV from the power outlet and antenna before lightning storms. During lightning storms, never touch any part of the TV, power cord or antenna cable.

- Risk of hearing damage! Avoid using earphones or headphones at high volumes or for prolonged periods of time.
 - Never allow children to climb on or play with the TV.
 - Place the TV where it cannot be pushed, pulled over or knocked down.
 - If the TV is transported in temperatures below 5°C:
1. Remove the TV from the box.
 2. Wait until the TV temperature matches the room temperature.
 3. Install the TV.

1.2 Screen care

- Avoid stationary images as much as possible. Stationary images are images that remain on-screen for extended periods of time. Examples include: on-screen menus, teletext pages, black bars, stock market information, TV channel logos and time displays. If you must use stationary images, reduce screen contrast and brightness to avoid screen damage.
- Unplug the TV before cleaning.
- Clean the TV and frame with a soft, damp cloth. Never use substances such as alcohol, chemicals or household cleaners on the TV.
- Risk of damage to the TV screen! Never touch, push, rub or strike the screen with any object.
- To avoid deformations and colour fading, wipe off water drops as soon as possible.

1.3 Recycling

- This product is designed and manufactured with high quality materials and components, which can be recycled and reused.
- This product is designed and manufactured for material recycling. When you see the

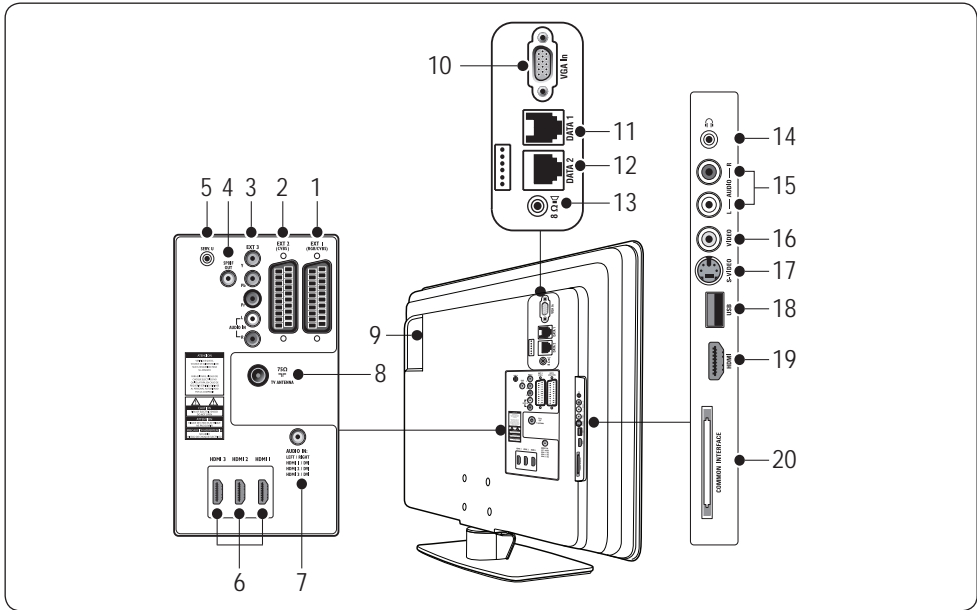
crossed-out wheel bin symbol attached to a product, it means the product is covered by the European Directive 2002/96/EC:



- Never dispose this product with other household waste. Inform yourself or ask your dealer about local environmentally-safe recycling regulations. The correct disposal of your old product helps prevent potentially negative consequences on the environment and human health.
- The remote control supplied with this product operates on batteries covered by the European Directive 2006/66/EC and cannot be disposed with normal household waste. Inform yourself about the local regulations on the separate collection of batteries.

2 Your TV

2.1 Connection overview



1. **EXT 1**
First SCART connector for DVD players, VCRs, digital receivers, game consoles and other SCART devices. Supports Audio L/R, CVBS in/out, RGB
2. **EXT 2**
Second SCART connector. Supports Audio L/R, CVBS in/out.
3. **EXT 3**
Component video (Y Pb Pr) and Audio L/R input connectors for DVD players.
4. **SPDIF OUT**
Sound output connectors for home theatres or other audio systems.
5. **SERV. U**
Connector for service use (do not insert the headphones here)
6. **HDMI 1/2/3**
HDMI input connectors for Blu-ray disc players, digital receivers, game consoles and other high-definition devices.
7. **AUDIO IN**
Mini-jack connector for PC audio in (when connecting a PC via DVI-HDMI adaptor).
8. **TV ANTENNA**
9. **Smart Card slot**
Slot for compatible 32 pin smart card.
10. **VGA In**
Input connectors for PC or other devices.
11. **DATA 1 (RJ 12)**
Port for system terminal connection.
12. **DATA 2 (RJ 45)**
Port for system terminal connection.
13. **8 Ω** ,
Connector for bathroom speaker. Use a stereo jack.

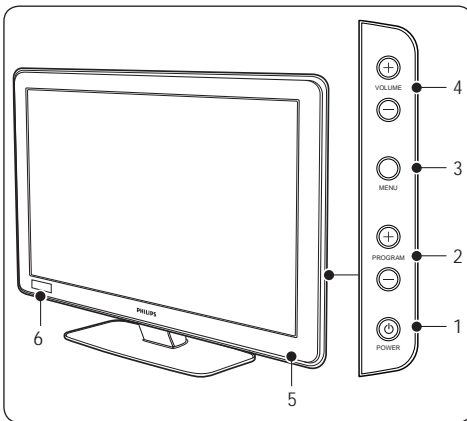
14. * (Headphones)
Stereo mini-jack.
15. **AUDIO L/R**
Audio L/R input connectors for composite and S-Video devices.
16. **VIDEO**
Video input connector for composite devices
17. **S-VIDEO**
S-Video input connector for S-Video devices.
18. **USB**
USB connector for storage devices.
19. **HDMI**
Additional HDMI connector for mobile high-definition devices.
20. **COMMON INTERFACE**
Slot for Conditional Access Modules.



Note

Refer to the user manuals for the respective devices for details of connection.

2.1.1 Side controls and indicators



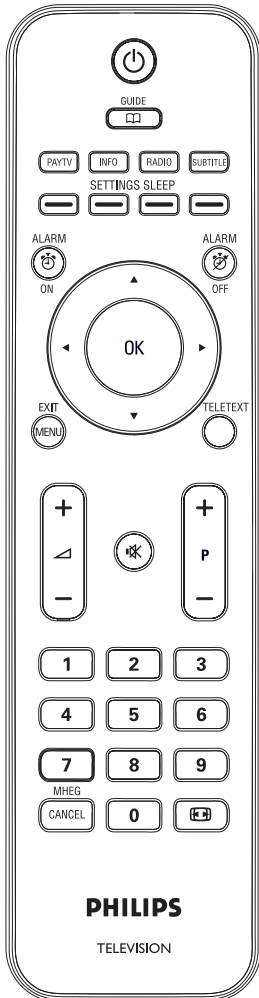
1. **POWER**
2. **PROGRAM +/-**

3 Remote control

For advanced information about the remote control, see *Chapter 5 Remote control overview*.

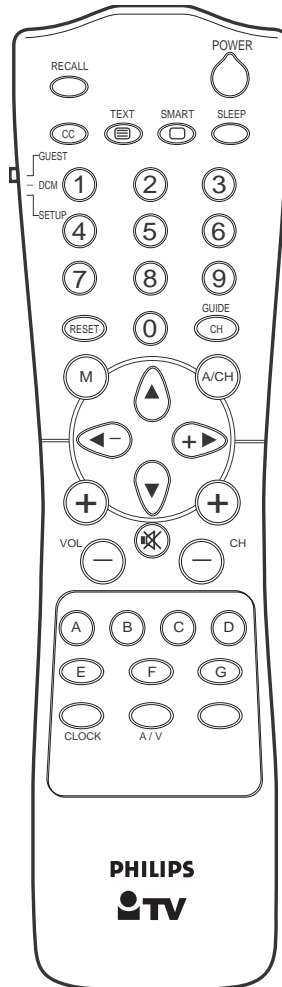
Guest mode remote control

For setup and configuration purposes.



Setup remote control

This remote control may be purchased separately for Institutional TV/Professional and Business Solutions features and SmartCard settings.



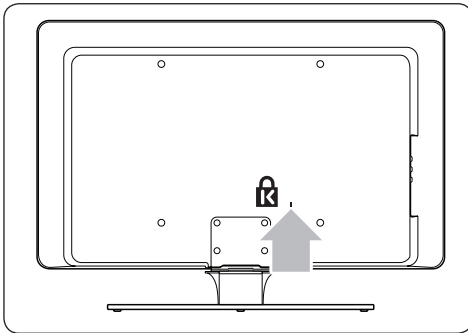
4 Get started

This section helps you position and install the TV.

4.1 Position the TV

In addition to reading and understanding the safety instructions in *Section 1.1*, consider the following before positioning your TV:

- The ideal viewing distance for watching TV is three times its screen size.
- Position the TV where light does not fall on the screen.
- Connect your devices before you position your TV.
- Your TV is equipped with a Kensington Security Slot at the back of the TV.



If connecting an anti-theft Kensington lock (not supplied), position the TV within reach of a permanent object (such as a table) that can be easily attached to the lock.

4.2 Wall mount the TV

⚠ WARNING

Wall mounting of the TV should only be performed by qualified installers. Koninklijke Philips Electronics N.V. bears no responsibility for improper mounting that results in accident or injury.

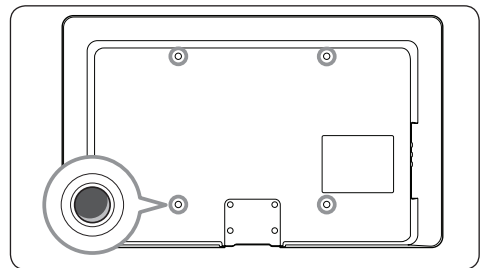
Step 1 Purchase a VESA-compatible wall bracket

Depending on the size of your TV screen, purchase one of the following wall brackets:

TV screen size (inches/cm)	VESA-compatible wall bracket type (mm)	Special instructions
22"/56 cm	Adjustable 100 x 100	None
26"/66cm	Adjustable 100 x 200	None
32"/81cm	Adjustable 300 x 300	The VESA-compatible bracket must be adjusted to 200 x 300 before securing to the TV
42"/107cm or larger	Fixed 400 x 400	None

Step 2 Secure the VESA-compatible wall bracket to the TV

1. Locate the four mounting nuts at the back of the TV.



2. Continue with the instructions provided with your VESA-compatible wall bracket.

