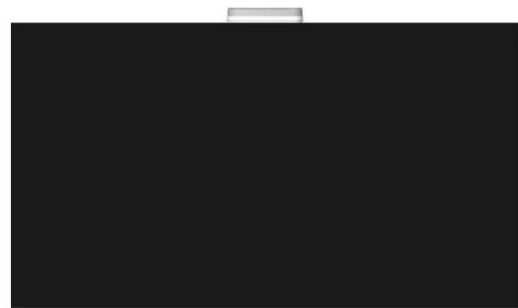




Packing for cabinet



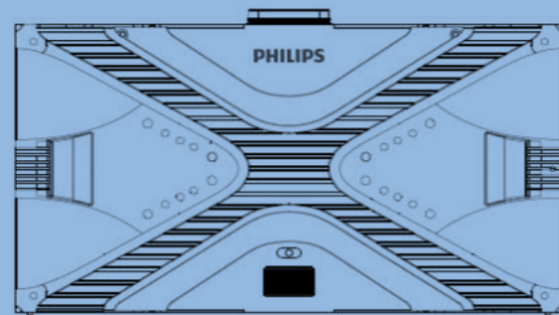
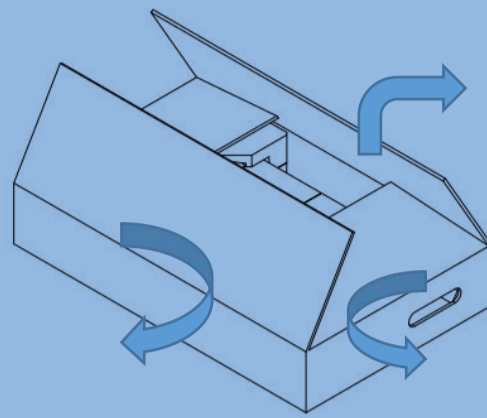
Cabinet



OSG

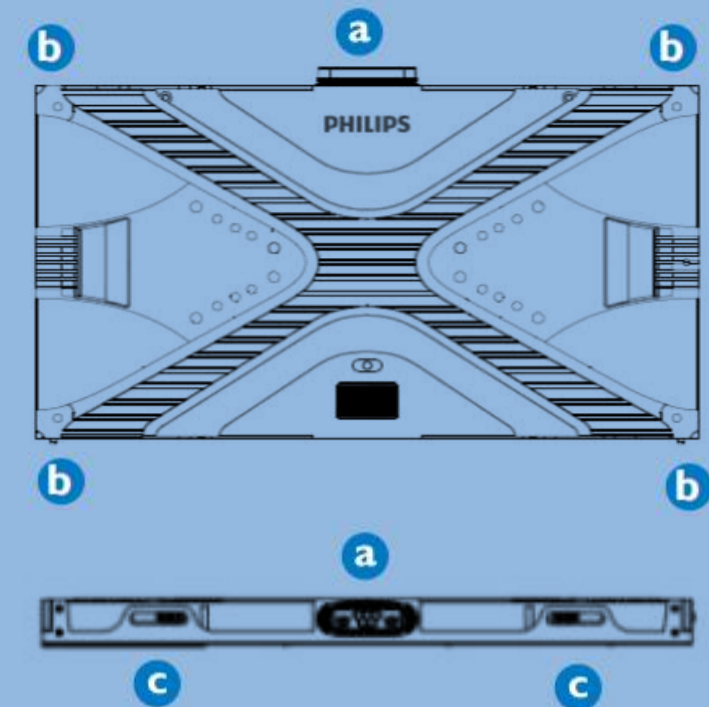
1

Opening Package for product



2

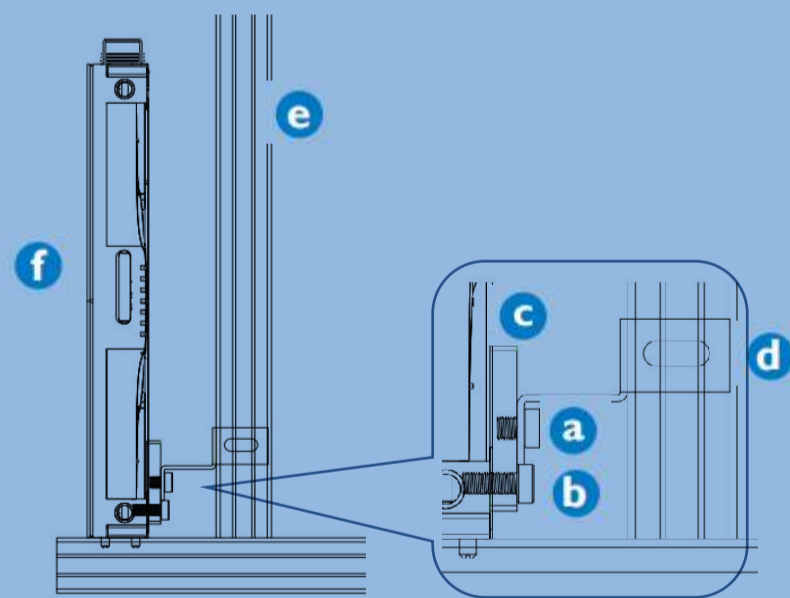
Detail of product



- a** Power and data connector
- b** Installation hole
- c** Side lock

3

Installation of product

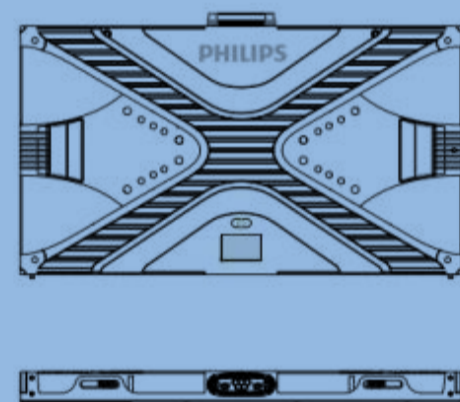


Optional accessories:

- a** M8*10 Screw
- b** M8*20 Screw
- c** Connection plate
- d** Mounting bracket
- e** Structure
- f** Cabinet

4

Cable connection of product



- b** To sending box
- a** To power distribution box

Optional accessories:

- a** Power input cable
- b** Signal input cable

Please check out the website below for more product information.
www.philips.com/signagesolutions-support



27BDL7012L/93



Quick Start

PHILIPS



© 2018 Koninklijke Philips N.V. All rights reserved. Philips and the Philips Shield Emblem are registered trademarks of Koninklijke Philips N.V. and are used under license from Koninklijke Philips N.V. Specifications are subject to change without notice. Version: 1.00 2018-1-15

