

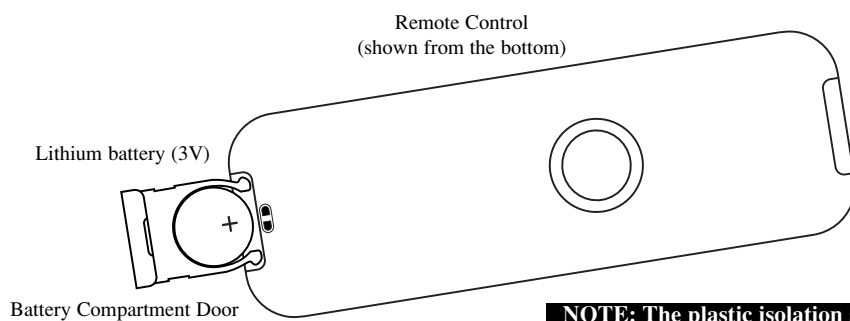


HOOKING UP THE TELEVISION

REMOTE CONTROL BATTERIES

To load the supplied batteries into the remote:

- 1 Remove the battery compartment door on the back of the remote.
- 2 After removing the plastic isolation sheet from the battery, place the battery (3V) in the remote. Be sure the (+) and (-) ends of the batteries line up correctly (the inside of the case is marked).
- 3 Reattach the battery compartment door.



Be sure to point the remote at the remote sensor window on the front of the television when using the remote control to operate the television

NOTE: The plastic isolation sheet must be removed for the remote control to function.

CABLE/CABLE BOX TV

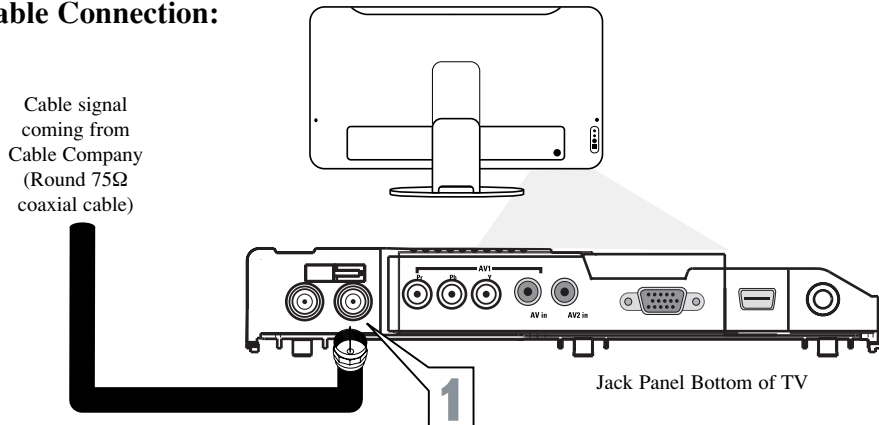
Your Cable TV input into your home may be a single (75 ohm) cable or use a cable box decoder. In either case the connection is very simple. Follow the steps below to connect your cable signal to your new television.

Direct Cable Connections:

This connection will supply Stereo sound to the TV.

- 1 Connect the open end of the round Cable Company supplied cable to the 75Ω input on the bottom of the TV. Screw it down finger tight.

Direct Cable Connection:

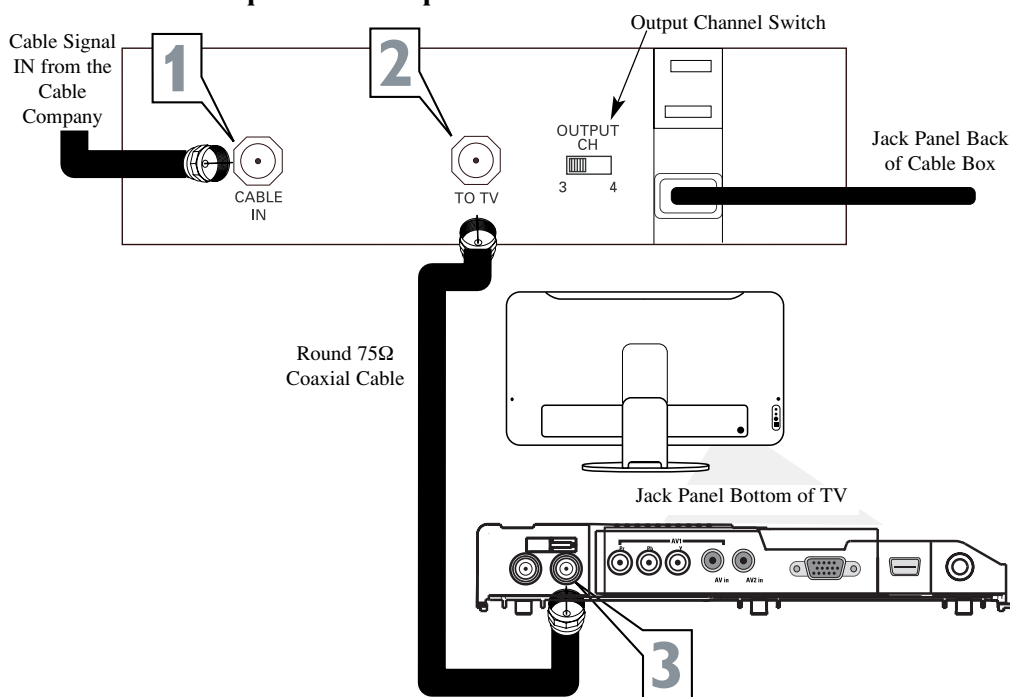


Cable Box (w/RF In/Outputs):

This connection will NOT supply Stereo sound to the TV. The sound from the cable box will be mono.

- 1 Connect the open end of the round Cable Company supplied cable to the cable signal IN(put) plug on the back of the Cable Box.
- 2 Using a separate round coaxial cable, connect one end to the OUT(put) (TO TV) plug on the back of the Cable Box.
- 3 Connect the other end of the round coaxial cable to the 75Ω input on the bottom of the television. Screw it down finger tight.

Cable Box with RF Inputs and Outputs Connection:



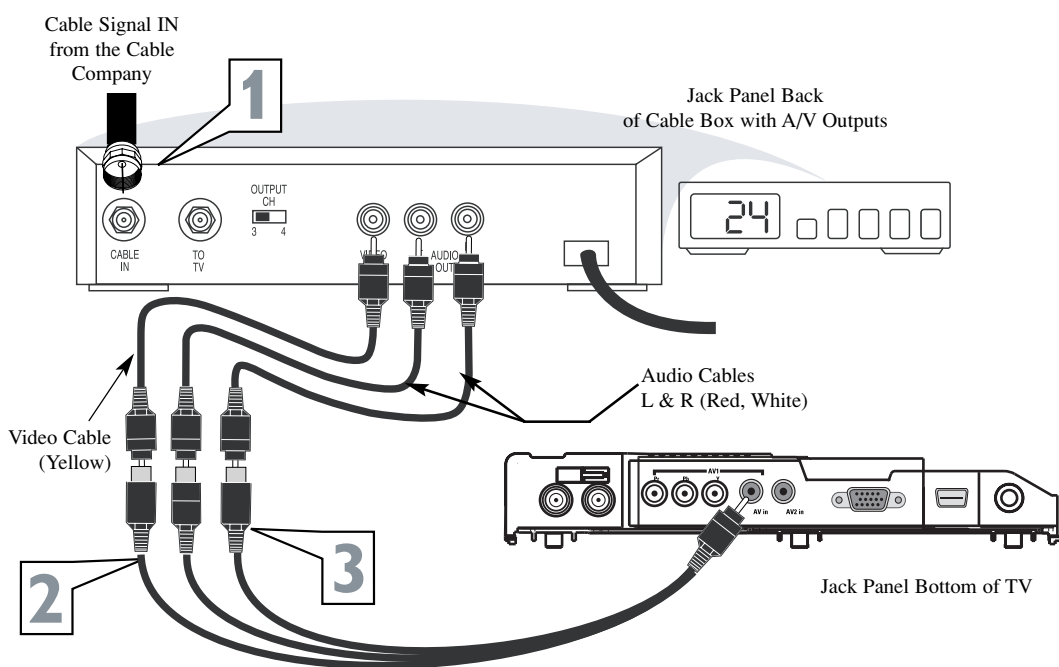
NOTE: Be sure to set the OUTPUT CHANNEL SWITCH on the back of the cable box to CH 3 or 4, then tune the cable box on the TV to the corresponding channel. Once tuned, change channels at the cable box, not the television.

Cable Box (w/Audio/Video Outputs):

This connection will supply Stereo sound to the TV.

- 1 Connect the open end of the round Cable Company supplied cable to the cable signal IN(put) plug on the back of the Cable Box.
- 2 Using an RCA type Video Cable, connect one end of the cable to the Video (yellow) (or ANT, your cable box may be labeled differently) Out jack on the cable box and the other end to the Video end of the composite adapter included with the TV.
- 3 Using an RCA type Audio Left and Right Cable, connect one end to the left and right Audio Out L & R jacks (red & white) on the cable box. Connect the other ends to the Audio end of the composite adapter cable included with the TV. Connect the adapter into the AV In jack on the bottom of the TV.

Cable Box with Audio/Video Outputs Connection:



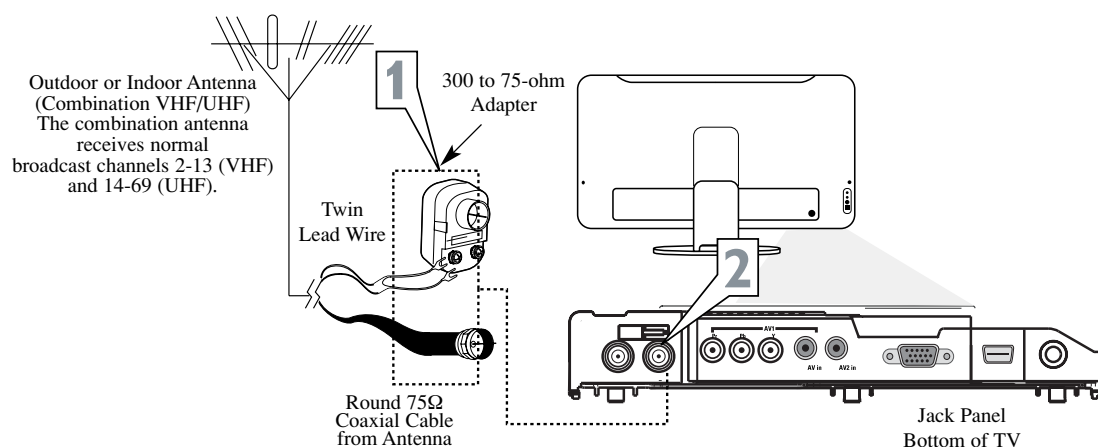
NOTE: Use the AV+ button and the Number 1 button on the TV remote control to tune to the AV1 channel for the cable box signal. Once tuned, change channels at the cable box, not the television. Pressing the AV+ button repeatedly will scroll all the AV Input channels, including the presently tuned channel.

ANTENNA TV

A combination antenna receives normal broadcast channels (VHF 2-13 and UHF 14-69). Your connection is easy because there is only one 75Ω (ohm) antenna plug on the back of your TV, and that's where the antenna goes.

- 1 If your antenna has a round cable (75 ohm) on the end, then you're ready to connect it to the TV. If your antenna has flat, twin-lead wire (300 ohm), you first need to attach the antenna wires to the screws on a 300- to 75-ohm adapter.
- 2 Push the round end of the adapter (or antenna) onto the 75Ω (ohm) plug on the bottom of the TV. If the round end of the antenna wire is threaded, screw it down finger tight.

Antenna Connection:

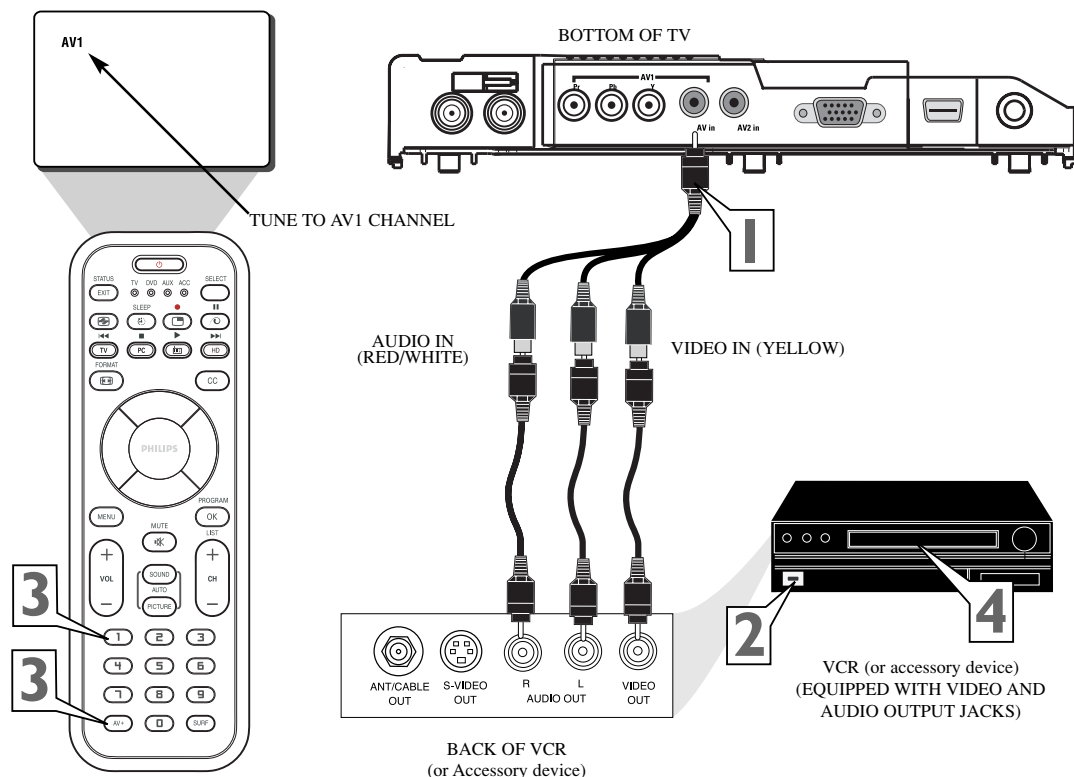


HOOKING UP THE TELEVISION

AVI INPUTS

The audio/video input jacks on the bottom panel of the TV are for direct picture and sound connections between the TV and a VCR (or similar device) that has audio/video output jacks.

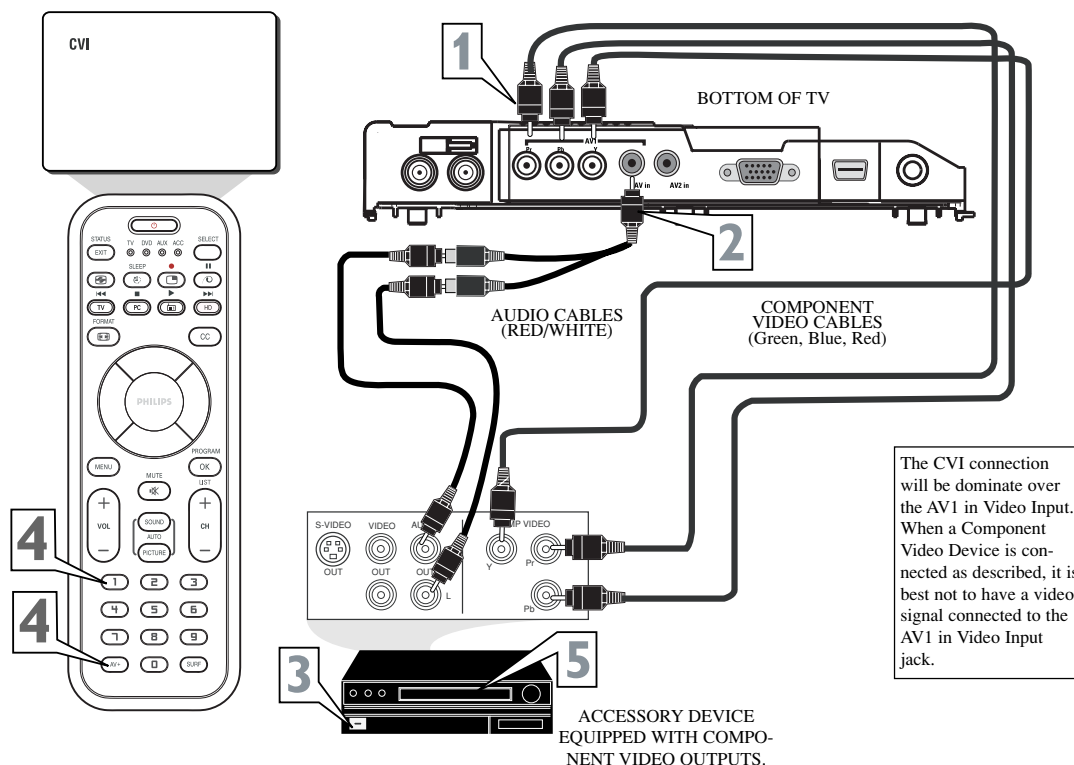
- 1 Connect the AV1 In(put) cable to one end of an RCA type VIDEO (yellow) cable to the supplied Audio/Video adapter. Connect the other end of the Adapter to the AV1 in jack on the bottom of the TV.
- 2 Connect the AV1 In(put) cable to one end of the RCA type AUDIO (red and white) cables to the supplied Audio/Video adapter.
- 3 Turn the VCR or accessory device and the TV On.
- 4 Press the AV+ button and the number 1 button on the remote control to select the AV1 channel for the accessory device. AV1 will appear in the upper left corner on the TV screen when tuned properly. You can also press and hold the AV+ button to toggle through the various channels until AV1 appears on the screen.
- 5 With the VCR (or accessory device) ON and a prerecorded tape (CD, DVD, etc.) inserted, press the PLAY button to view the tape on the television.



COMPONENT (CVI) INPUTS

Component Video inputs provide the highest possible color and picture resolution in the playback of digital signal source material, such as with DVD players.

- 1 Connect the Component (Y, Pb, Pr) Video OUT jacks from the DVD player (or similar device) to the COMP(onent) VIDEO Input (Y green, Pb blue, Pr red) jacks on the bottom of the TV. When using the Component Video Inputs, it is best not to connect a signal to the AV1 in Video Jack.
- 2 Connect the red and white AUDIO CABLES to the Audio (left and right) output jacks on the rear of the accessory device to the Audio Adapter supplied (L and R). Connect the adapter into the AV1 In Input Jacks on the TV.
- 3 Turn the TV and the DVD (or digital accessory device) ON.
- 4 Press the AV+ button and the Number 1 button on the remote control to select the CVI channel. CVI will appear in the upper left corner of the TV screen.
- 5 Insert a DVD disc into the DVD player and press the PLAY button on the DVD Player.



The CVI connection will dominate over the AV1 in Video Input. When a Component Video Device is connected as described, it is best not to have a video signal connected to the AV1 in Video Input jack.

NOTE: When using additional accessories, only one external source will be audible, as there is only one AV1 Input jack.

HELPFUL HINT

The description for the component video connectors may differ depending on the DVD player or accessory digital source equipment used (for example, Y, Pb, Pr; Y, B-Y, R-Y; Y, Cr, Cb). Refer to your DVD or digital accessory owner's manual for definitions and connection details.

HD (HIGH DEFINITION) INPUTS

If you are using a High Definition receiver that can transmit high definition programming, the TV can accept those signals through the HD Inputs located on the bottom of the TV.

- 1 For Digital Connection, connect the HDMI connector of the HD Receiver (or similar device) to the HDMI Input jacks on the bottom of the TV.
- OR
- 2 For Analog Connection, use Component Video cables to connect the Component (Y, Pb, Pr) Video Out jacks of the HD Receiver (or similar device) to the VGA adapter (supplied with the TV). Connect the other end of the adapter to the VGA Input jacks on the bottom of the TV.
- 3 Connect the red and white audio adapter to RCA type Audio Cables. Connect the audio adapter to the PC/HD Audio Input jack on the bottom of the TV.
- 4 Turn the TV and the HD Receiver ON.
- 5 Press the HD Mode button to set the TV into the HD Mode and tune to the HD signal.

Note: The Audio/Video cables needed for this connection are not supplied with your TV. Please contact your dealer or Philips at 800-531-0039 for information about purchasing the needed cables.

