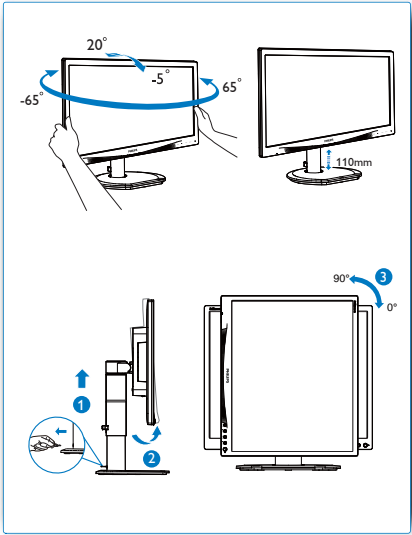


GRAPHIC DEVELOPMENT MMD	
Product name	:1984-QSG
Project no.	:1984-QSG
Finishing	Folded sheet
Scale	:1:1
Size Spreads	:594 (W) x 210 (H) mm
Size	:148.5 (W) x 210 (H) mm
Operator(s)	
Date amended	May 15, 2013
VERSION No.	1
APPROVAL	
QC Lithographer	
Product Manager	
Date Check	
ARTWORK DOCUMENT	
Paper	:80gsm White, woodfree coated
Numbers of colours	:2C+2M
Printer 3001	
Spotcolor	
Aftertreatment	
<input type="checkbox"/> Cropping	
<input type="checkbox"/> Coating	
<input type="checkbox"/> Varnishing	
<input type="checkbox"/> Embossing	
<input type="checkbox"/> Cutterguide	
<input type="checkbox"/> Die-cut	
<input type="checkbox"/> Binding	
<input type="checkbox"/> Glue	

4



**Need help?**

**Use manual**  
See the digital User manual (CD-ROM) that comes with your LCD Monitor.  
Online help: [www.philips.com/support](http://www.philips.com/support)

**Besoin d'Aide ?**

**Manuel utilisateur**  
Voir le manuel d'utilisation numérique (CD-ROM) fourni avec votre Moniteur LCD.  
Aide en ligne: [www.philips.com/support](http://www.philips.com/support)

**¡Necesita ayuda?**

**Manual de uso**  
Consulte el manual de uso digital (CD-ROM) suministrado con el monitor LCD.  
Ayuda en línea: [www.philips.com/support](http://www.philips.com/support)

**Benötigen Sie Hilfe?**

**Benutzerhandbuch**  
Sehen Sie in dem digitalen Benutzerhandbuch (CD-ROM) nach, das mit dem Floodsdisplay mitgeliefert wurde.  
Online-Hilfe: [www.philips.com/support](http://www.philips.com/support)

**Avete bisogno di aiuto?**

**Manuale d'istruzioni**  
Consultare il manuale d'istruzioni in formato elettronico (CD-ROM) fornito insieme al display.  
Guida in linea: [www.philips.com/support](http://www.philips.com/support)

**Precisa ajuda?**

**Manual do usuário**  
Veja o manual do Usuário digital (CD-ROM) que vem com seu Monitor LCD.  
Ajuda online: [www.philips.com/support](http://www.philips.com/support)

**도움이 필요하십니까?**

**사용 설명서**  
LCD 모니터와 함께 제공되는 디지털 사용 설명서 (CD-ROM)를 참조하십시오.  
온라인 도움말: [www.philips.com/support](http://www.philips.com/support)

**هل تريد المساعدة؟**

**دليل المستخدم**  
اقرأ دليل المستخدم الرقمي المرفق مع شاشة العرض الإلكترونية (CD-ROM) الخاصة بك.  
المساعدة عبر الإنترنت: [www.philips.com/support](http://www.philips.com/support)

**ヘルプが必要ですか？**

**ユーザーマニュアル**  
LCDモニターに付属するデジタルユーザーマニュアル (CD-ROM)を参照してください。  
オンラインヘルプ: [www.philips.com/support](http://www.philips.com/support)

Version: M419BC1T  
© 2013 Koninklijke Philips Electronics N.V. All rights reserved.  
Specifications are subject to change without notice.  
Philips and the Philips Shield Emblem are registered trademarks of Koninklijke Philips Electronics N.V. and are used under license from Koninklijke Philips Electronics N.V.

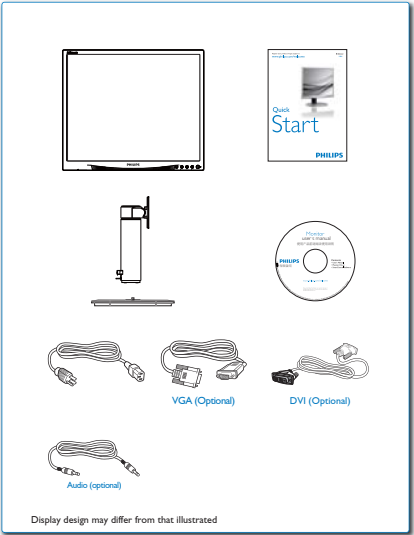


Register your product and get support at [www.philips.com/welcome](http://www.philips.com/welcome)

Brilliance 1984

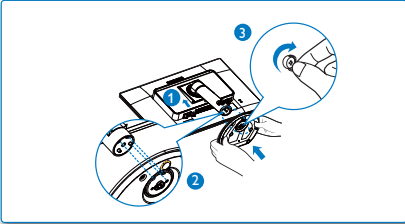


Quick Start

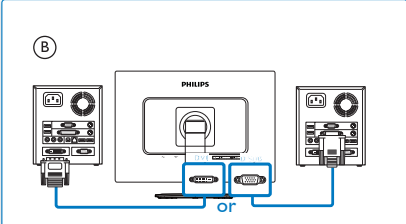
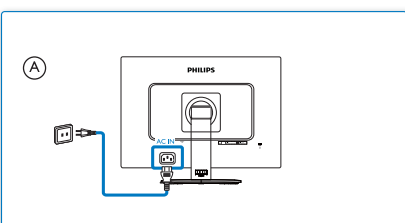


Display design may differ from that illustrated

1



2



3

